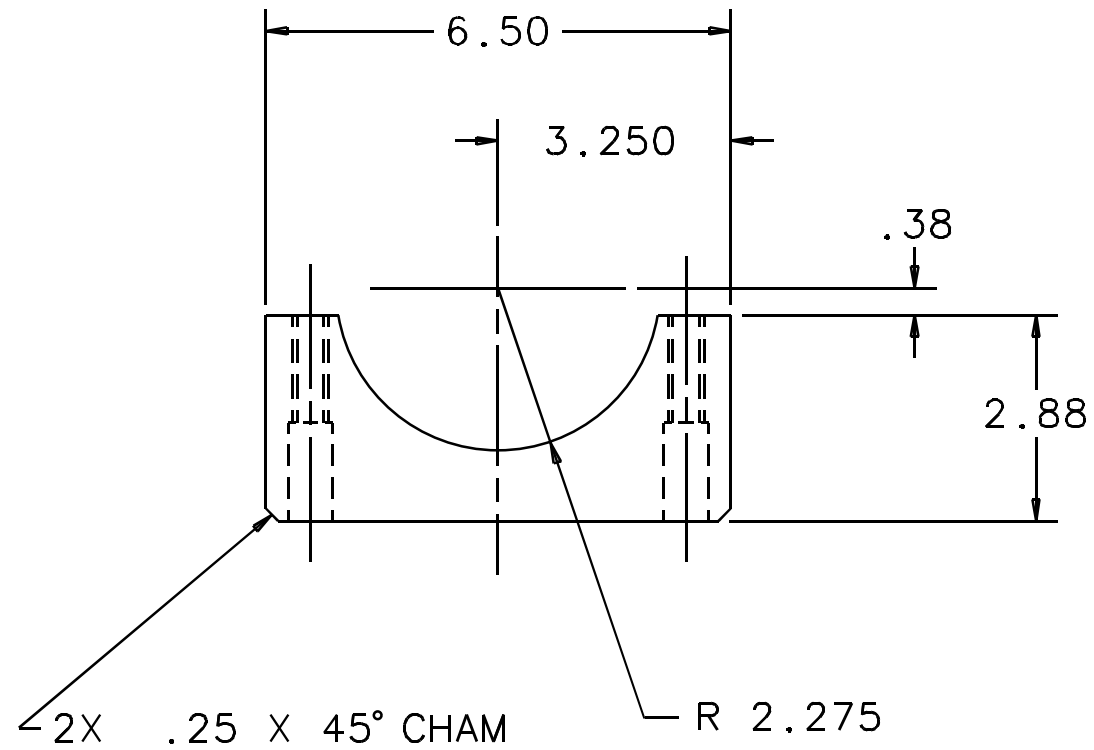
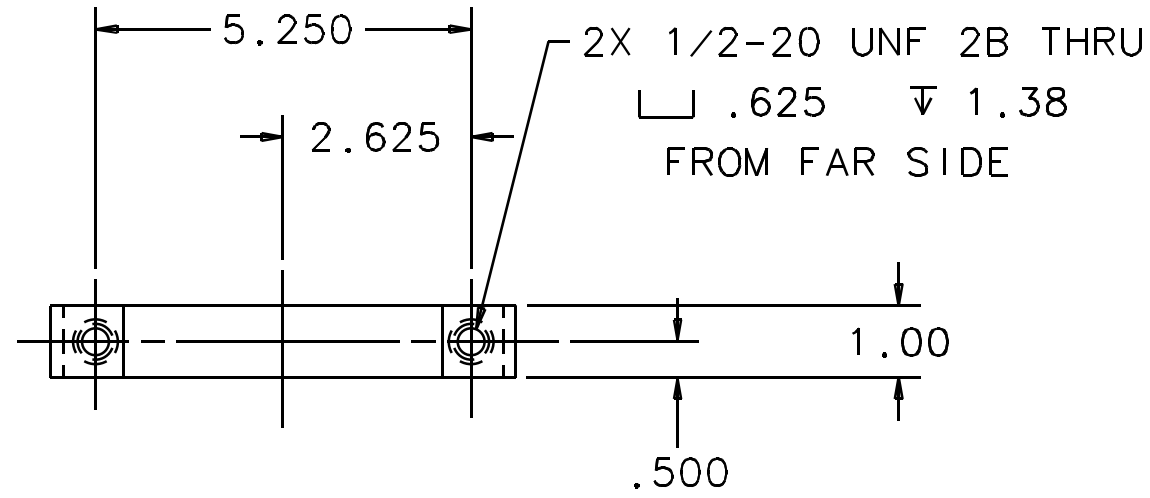


NOTES: (UNLESS OTHERWISE SPECIFIED)

1. THIS DRAWING HAS BEEN RENUMBERED. THE PREVIOUS DRAWING NUMBER IS 1202091.
2. BREAK ALL SHARP EDGES.
3. MATERIAL: 304 OR 304L CRES.

REV	DATE	DRAWN BY	CHECKED	DCC	DCN/DESCRIPTION
A	10-12-99	C. CONLEY			E990349-00-R



DRWN	KDR	DATE	6-92	CALIFORNIA INSTITUTE OF TECHNOLOGY MASSACHUSETTS INSTITUTE OF TECHNOLOGY	
CHKD		LIGO PROJECT			
ENGR		I-Deas CAD file: D990630-A.dwg dcc file: D990630-A.pdf			
APPD		TITLE			
UNLESS OTHERWISE SPECIFIED:		CLAMP			
DIMENSION UNITS ARE inch (mm)		SCALE: NTS			
TOLERANCES ARE:		SIZE		DRAWING NUMBER	
X.XXX: ± .010		B		D990630-A	
X.XX: ± .030		SHEET		1 OF 1	
ANGLES: ± 1°		NEXT ASSEMBLY:			