

REV	DATE	DRAWN BY	CHECKED	DCC	DCN/DESCRIPTION
A	12-8-99	J. Romie			E990441/INITIAL RELEASE

NOTES: (UNLESS OTHERWISE SPECIFIED)
 ① SOLDER WIRES TO PINS.

A

B

C

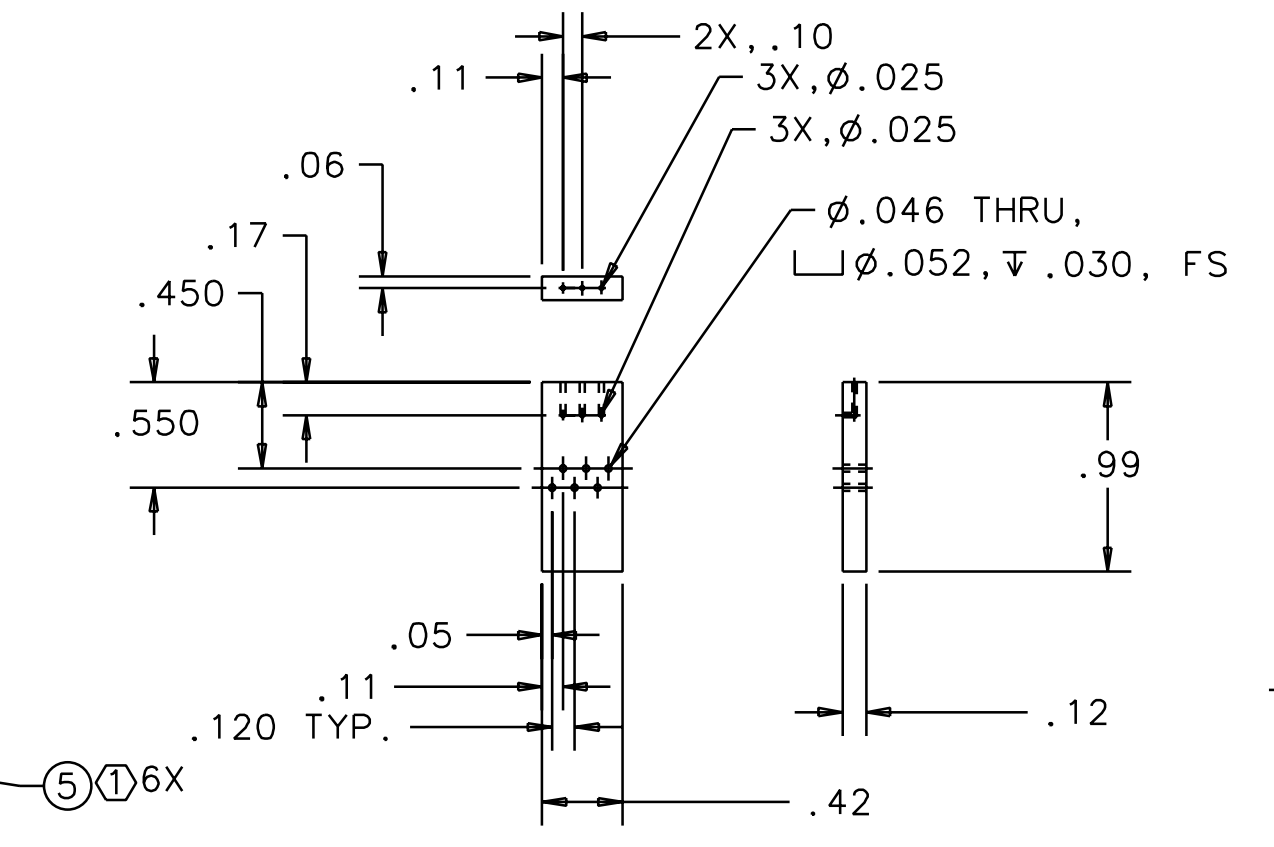
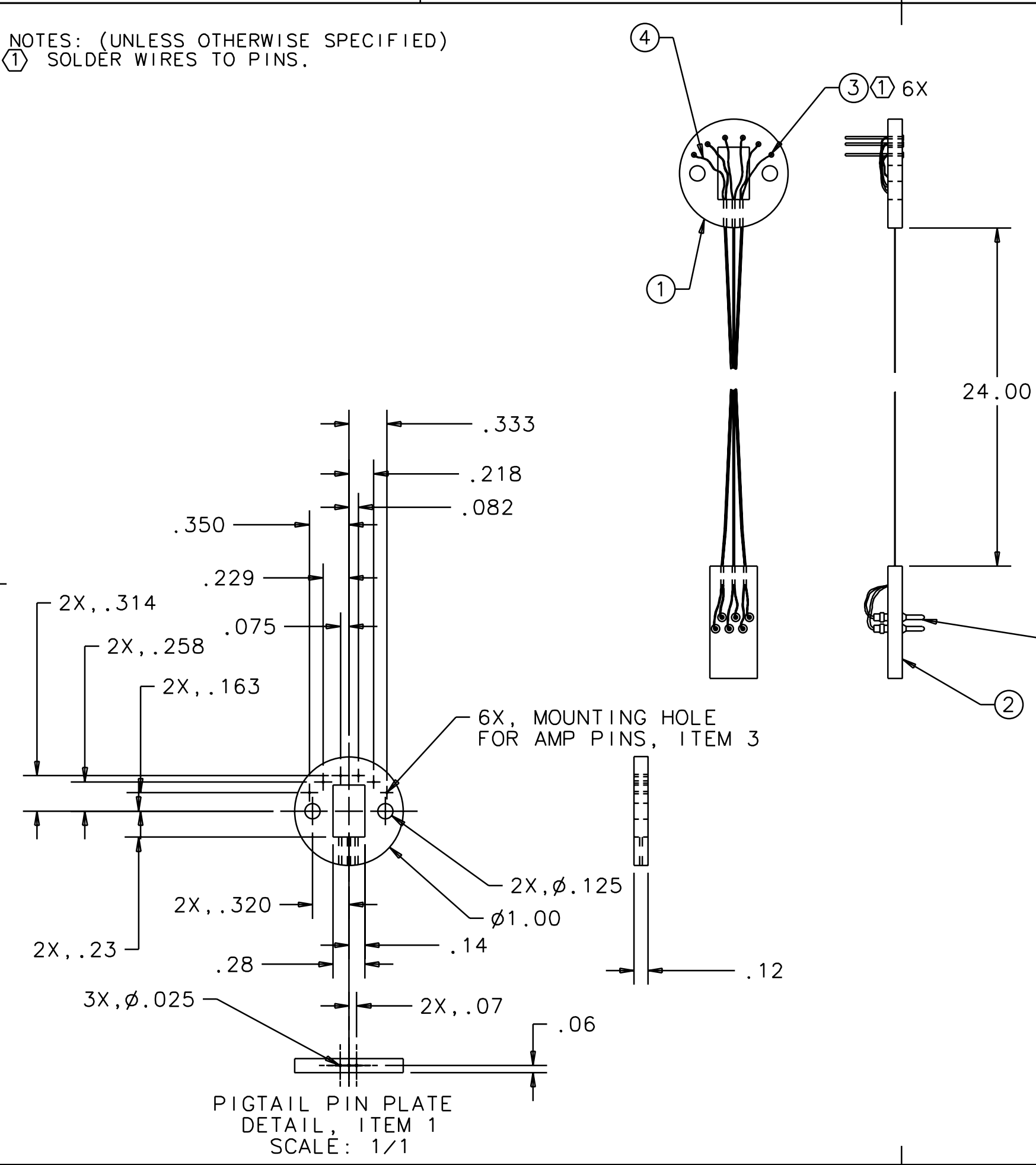
D

A

B

C

D



PIGTAIL RECTANGULAR PLATE
 DETAIL, ITEM 2
 SCALE: 1/1

PIGTAIL PIN PLATE
 DETAIL, ITEM 1
 SCALE: 1/1

QTY REQD	PART OR IDENTIFYING NO	NOMENCLATURE OR DESCRIPTION	MATERIAL SPECIFICATION	ITEM NO
6	WIRE PRO CONNECTOR P/N 17-20250	PIN FROM D CONNECTOR		5
	A/R MWS, #32 GAGE	SINGLE CLEAR TEFLON MAGNET WIRE		4
6	AUGAT DIP SOCKET P/N 508-AG10D	SOCKET FROM DIP SOCKET		3
1		PIGTAIL RECTANGULAR PLATE	PRESHRUNK PFA 440HP	2
1		PIGTAIL PIN PLATE	PRESHRUNK PFA 440HP	1

UNLESS OTHERWISE SPECIFIED DIMENSIONS ARE IN IN TOLERANCES ARE: FRACTIONS DECIMALS .XX=±.02 .XXX=±.003 ANGLES=±.5° DO NOT SCALE DRAWING	APPROVALS		DATE	LIGO CALIFORNIA INSTITUTE OF TECHNOLOGY MASSACHUSETTS INSTITUTE OF TECHNOLOGY	
	DRAWN J. Romie	GROUP	12-8-99		
MATERIAL SEE PARTS LIST	CHECKED			TITLE SENSOR/ACTUATOR PIGTAIL, SHORT	
FINISH NONE				SIZE B	DWG NO. D990676
SCALE 1/1	FILENAME /home/dcc/docs/D990676.pdf			REV A	SHEET 1 OF 1

1

2

3

4