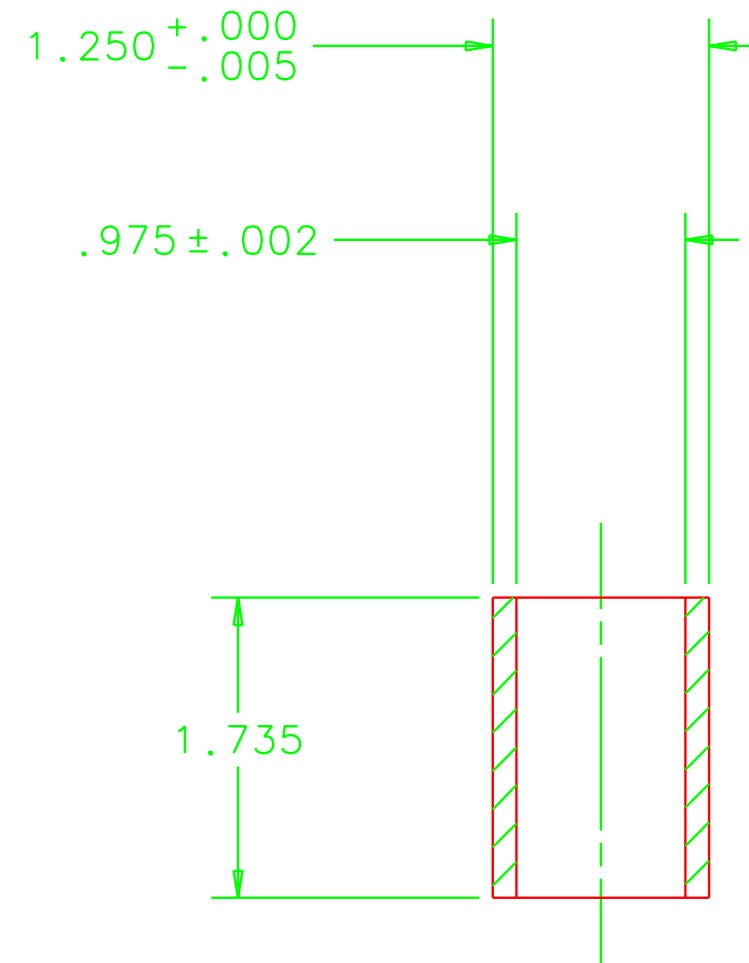
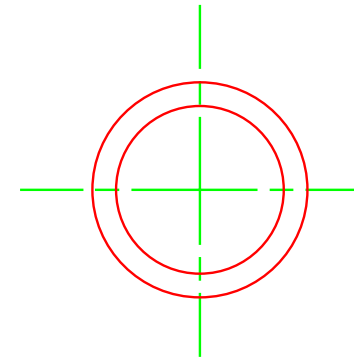


NOTES: (UNLESS OTHERWISE SPECIFIED)

1. THIS DRAWING HAS BEEN RENUMBERED. THE PREVIOUS DRAWING NUMBER IS 1205069.
2. MATERIAL: TEFLON
3. FILLETS: R.015 MAX
4. BREAK ALL SHARP EDGES .01/.02 X 45°.
5. SURFACE FINISH: 64. MACHINE ALL OVER.

REV	DATE	DRAWN BY	CHECKED	DCC	DCN/DESCRIPTION
A	11-17-99	C. CONLEY			E990349-00-R



DRWN	DATE	CALIFORNIA INSTITUTE OF TECHNOLOGY MASSACHUSETTS INSTITUTE OF TECHNOLOGY	LIGO PROJECT
CHKD	4-13-93		
ENGR		I-Deas CAD file: D990677-A.dwg	
APPD		dcc file: D990677-A.pdf	
UNLESS OTHERWISE SPECIFIED:		TITLE	
DIMENSION UNITS ARE inch (mm)		LENS SPACER	
TOLERANCES ARE:			
X.XXX: ± .005			
X.XX: ± .01		SCALE: NTS	SIZE
X.X: ± .25°		B	DRAWING NUMBER
NEXT ASSEMBLY:		D990677-A	SHEET
		1	1 of 1