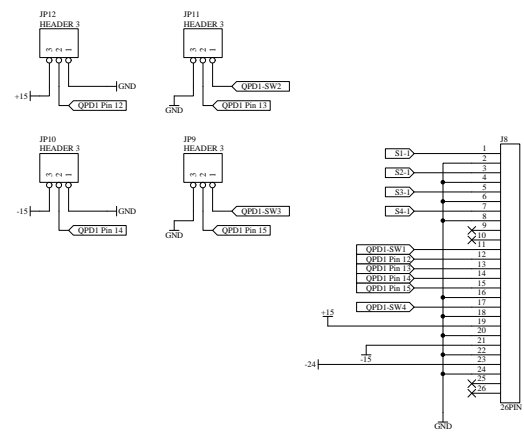
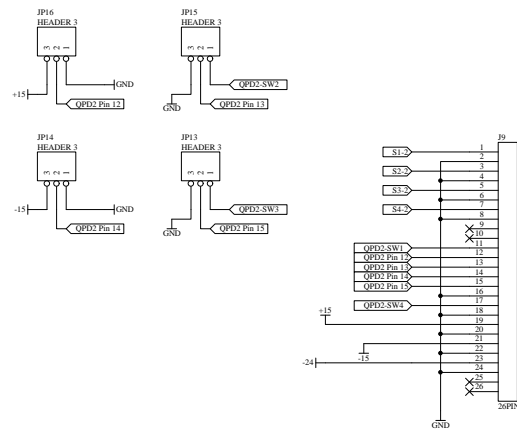


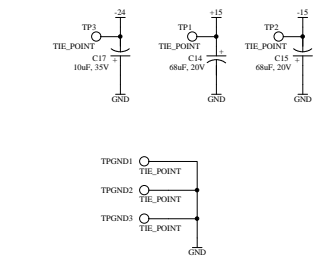
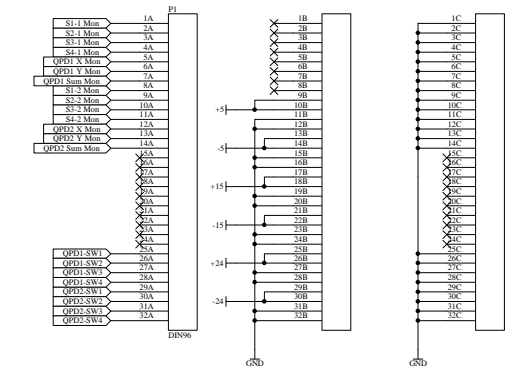
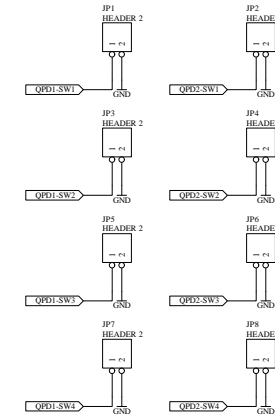
ETM QPD Jumpers 1-2, Opt Lever QPD Jumpers 2-3



ETM QPD Jumpers 1-2, Opt Lever QPD Jumpers 2-3



Install jumpers to fix QPD gain switches if remote control via P1 and EPICs not desired



Connections to DAQ System are made via P2 to adjacent DAQ Interface Module

