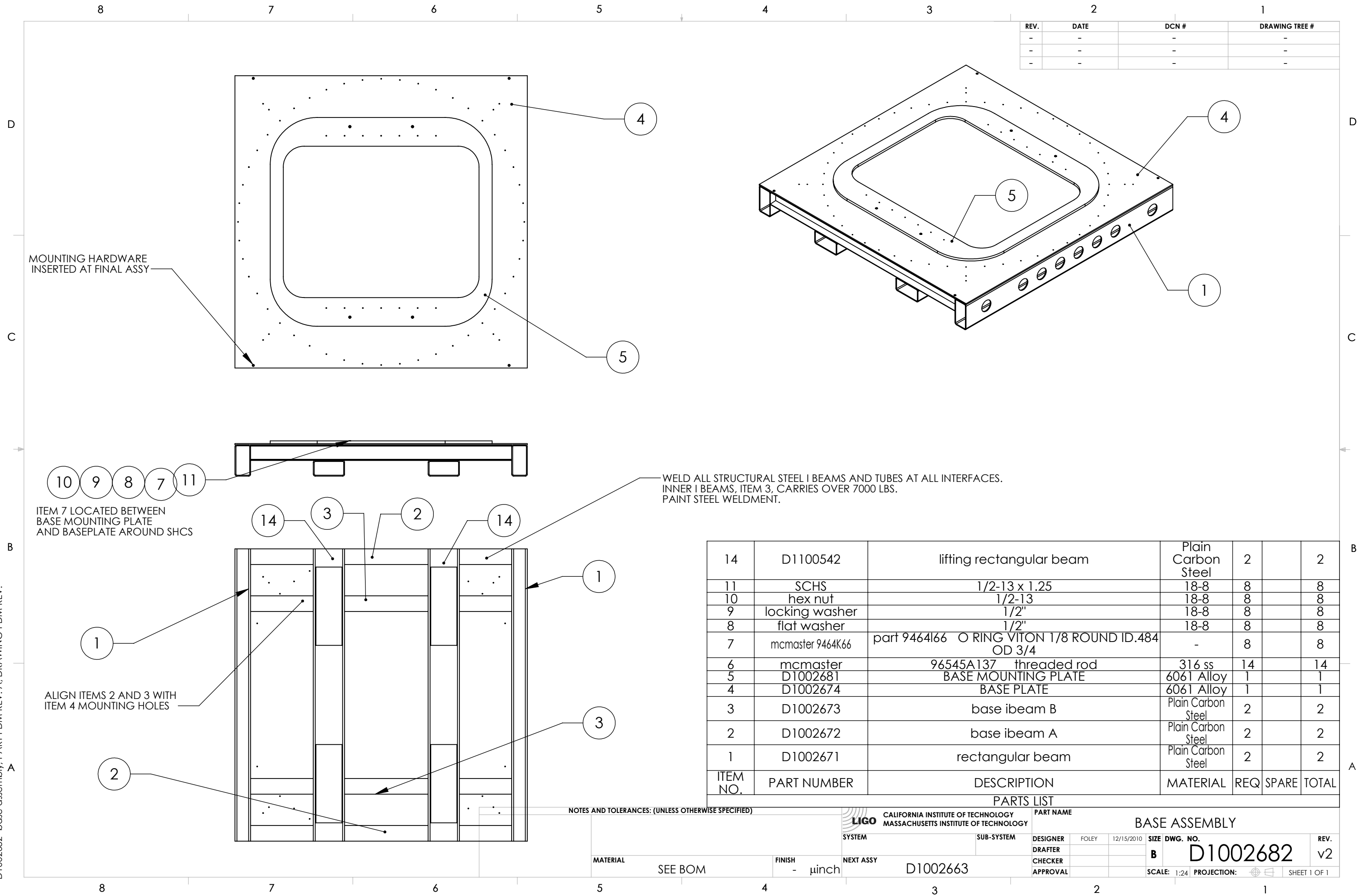


REV.	DATE	DCN #	DRAWING TREE #
-	-	-	-
-	-	-	-
-	-	-	-



MOUNTING HARDWARE  
INSERTED AT FINAL ASSY

ITEM 7 LOCATED BETWEEN  
BASE MOUNTING PLATE  
AND BASEPLATE AROUND SHCS

ALIGN ITEMS 2 AND 3 WITH  
ITEM 4 MOUNTING HOLES

WELD ALL STRUCTURAL STEEL I BEAMS AND TUBES AT ALL INTERFACES.  
INNER I BEAMS, ITEM 3, CARRIES OVER 7000 LBS.  
PAINT STEEL WELDMENT.

NOTES AND TOLERANCES: (UNLESS OTHERWISE SPECIFIED)

ITEM NO.	PART NUMBER	DESCRIPTION	MATERIAL	REQ	SPARE	TOTAL
14	D1100542	lifting rectangular beam	Plain Carbon Steel	2		2
11	SHCS	1/2-13 x 1.25	18-8	8		8
10	hex nut	1/2-13	18-8	8		8
9	locking washer	1/2"	18-8	8		8
8	flat washer	1/2"	18-8	8		8
7	mcmaster 9464K66	part 9464166 O RING VITON 1/8 ROUND ID.484 OD 3/4	-	8		8
6	mcmaster 96545A137	threaded rod	316 ss	14		14
5	D1002681	BASE MOUNTING PLATE	6061 Alloy	1		1
4	D1002674	BASE PLATE	6061 Alloy	1		1
3	D1002673	base ibeam B	Plain Carbon Steel	2		2
2	D1002672	base ibeam A	Plain Carbon Steel	2		2
1	D1002671	rectangular beam	Plain Carbon Steel	2		2

PARTS LIST

CALIFORNIA INSTITUTE OF TECHNOLOGY  
 MASSACHUSETTS INSTITUTE OF TECHNOLOGY

SYSTEM: \_\_\_\_\_ SUB-SYSTEM: \_\_\_\_\_ PART NAME: **BASE ASSEMBLY**

DESIGNER: \_\_\_\_\_ DRAFTER: \_\_\_\_\_ CHECKER: \_\_\_\_\_ APPROVAL: \_\_\_\_\_

DATE: 12/15/2010 SIZE: **B** DWG. NO.: **D1002682** REV.: **v2**

MATERIAL: SEE BOM FINISH: - μinch NEXT ASSY: **D1002663** SCALE: 1:24 PROJECTION: \_\_\_\_\_ SHEET 1 OF 1

D1002682- base assembly, PART PDM REV: A, DRAWING PDM REV: