

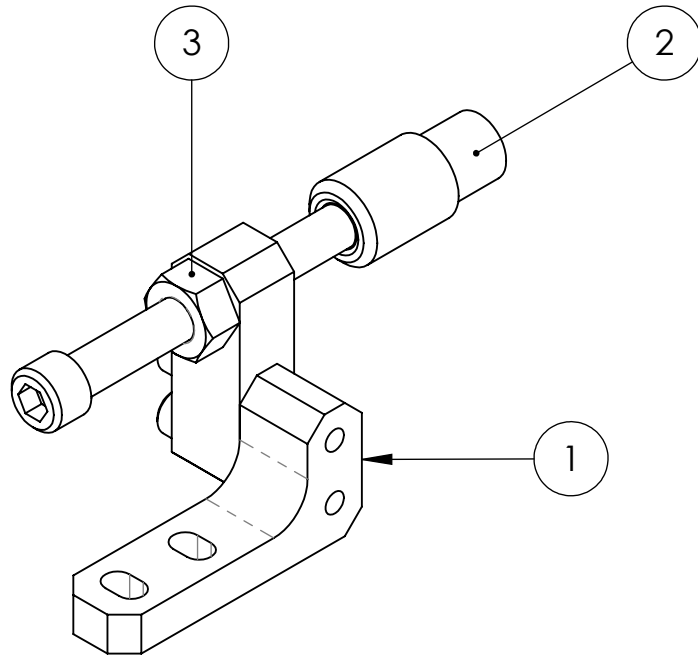
4

3

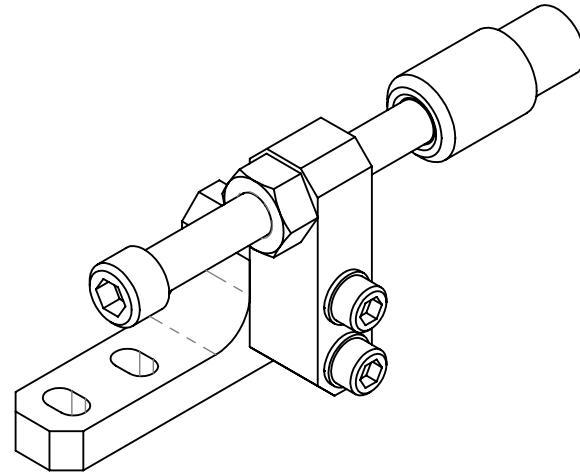
2

1

REV.	DATE	DCN #	DRAWING TREE #
v1	10 AUG 2010	E1000301	E080191
v2	12 FEB 2012	E1200212	E080191
-	-	-	-



LEFT SIDE CONFIGURATION



RIGHT SIDE CONFIGURATION

3	-	HEX NUT, 1/4-20	Ag-PLATED 300 SSSL	1	1	2
2	D080725	EARTHQUAKE STOP FOR METAL OR GLASS	N/A	1	0	1
1	D1002822	EARTHQUAKE STOP BRACKET ASSY, LOWER, BOTTOM MASS	N/A	1	0	1
ITEM NO.	PART NUMBER	DESCRIPTION	MATERIAL	REQ	SPARE	TOTAL

PARTS LIST

NOTES AND TOLERANCES: (UNLESS OTHERWISE SPECIFIED)

MATERIAL		FINISH		SYSTEM		SUB-SYSTEM		PART NAME		DESIGNER		DATE		SIZE		DWG. NO.		REV.			
N/A		N/A μinch		LIGO		SUS		EARTHQUAKE STOP ASSY, BOTTOM MASS, LOWER		D. BRIDGES		29 FEB 2012		A		D1002821		v2			
NEXT ASSY				HLTS OVERALL ASSY				CHECKER		B. MOORE		29 FEB 2012		APPROVAL		SCALE: 1:1		PROJECTION:		SHEET 1 OF 1	

4

3

2

1