



DOCUMENT CHANGE NOTICE (DCN)

DOCUMENT No. (DOC-REV-GP. ID)	TITLE	NEW REV.
D000064-B-D	SENSOR/ACTUATOR HEAD, LONG, SMD, MACOR	C
D000066-C-D	SENSOR/ACTUATOR HEAD, SHORT, SMD, MACOR	D

CHANGE DESCRIPTION (FROM/TO): For both drawings, remove notes 1 and 4.
electronically submitted

REASON FOR CHANGE: Note 1 is covered with note 2. Revised assembly (D000069 and D000180) and circuit boards (D000194 and D000195 along with D000204 and D000205) make masking unnecessary.

ACTION: Incorporate change Attach DCN to drawing(s) Other action (specify):

DISPOSITION OF HARDWARE (IDENTIFY SERIAL NUMBERS)	DCN DISTRIBUTION (X=incl. docs)																														
<input checked="" type="checkbox"/> No hardware affected (record change only) <input type="checkbox"/> List S/Ns which comply already: <input type="checkbox"/> List S/Ns to be reworked or scrapped: <input type="checkbox"/> List S/Ns to be built with this change: <input type="checkbox"/> List S/Ns to be retested per this change: <input type="checkbox"/> <input type="checkbox"/> <input type="checkbox"/> <input type="checkbox"/>	<table> <tr> <td></td> <td>Barish</td> <td>Coles</td> </tr> <tr> <td>Coyne</td> <td>Lazzarini</td> <td>Lindquist</td> </tr> <tr> <td>Raab</td> <td>Sanders</td> <td>Shoemaker</td> </tr> <tr> <td>Stapfer</td> <td>Tyler</td> <td>Weiss</td> </tr> <tr> <td>Whitcomb</td> <td colspan="2">SCISLOWCZ</td> </tr> <tr> <td colspan="3">Barton</td> </tr> <tr> <td colspan="3">Jones</td> </tr> <tr> <td colspan="3">Heefner</td> </tr> <tr> <td colspan="3">X Romie</td> </tr> <tr> <td colspan="3">Fritschel</td> </tr> </table>		Barish	Coles	Coyne	Lazzarini	Lindquist	Raab	Sanders	Shoemaker	Stapfer	Tyler	Weiss	Whitcomb	SCISLOWCZ		Barton			Jones			Heefner			X Romie			Fritschel		
	Barish	Coles																													
Coyne	Lazzarini	Lindquist																													
Raab	Sanders	Shoemaker																													
Stapfer	Tyler	Weiss																													
Whitcomb	SCISLOWCZ																														
Barton																															
Jones																															
Heefner																															
X Romie																															
Fritschel																															

SAFETY, COST, SCHEDULE, REQUIREMENTS IMPACT? No Yes (if yes, enter Change Request number see sh 2)

APPROVALS:	DATE	OTHER APPROVALS (specify)	DATE
ORIGINATOR: J. Romie	6-19-00		
TASK LEADER: <i>Janeen Romie</i>	<i>6-19-00</i>		
GROUP LEADER: <i>Dennis Coyne</i>	<i>7/5/00</i>		
DCC RELEASE: <i>Cleveland</i>	<i>7/6/00</i>		



CALIFORNIA INSTITUTE OF TECHNOLOGY
MASSACHUSETTS INSTITUTE OF TECHNOLOGY

DCN No.

SHEET 2 OF 2

DOCUMENT CHANGE NOTICE

CHANGE DESCRIPTION (FROM/TO): This change will save money through the removal of the masking requirement.

1

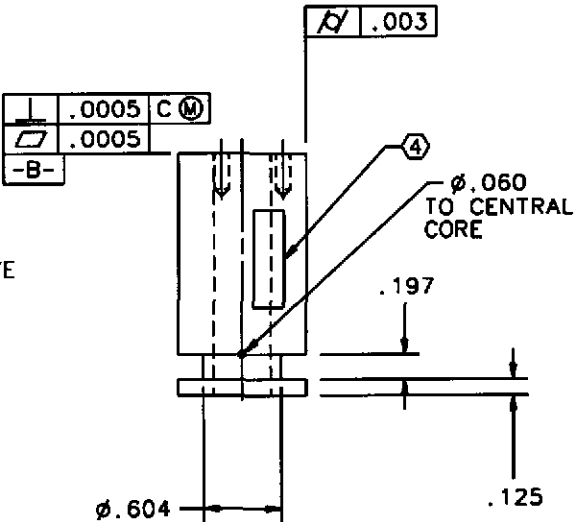
2

3

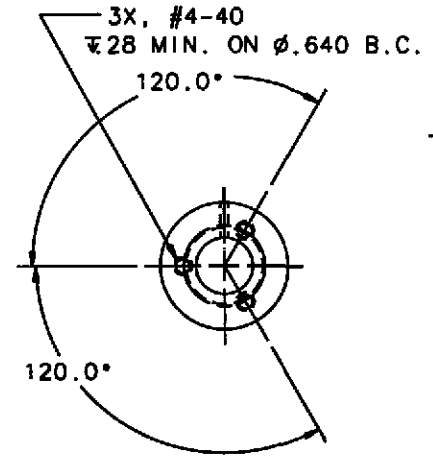
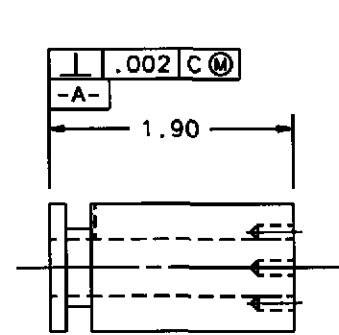
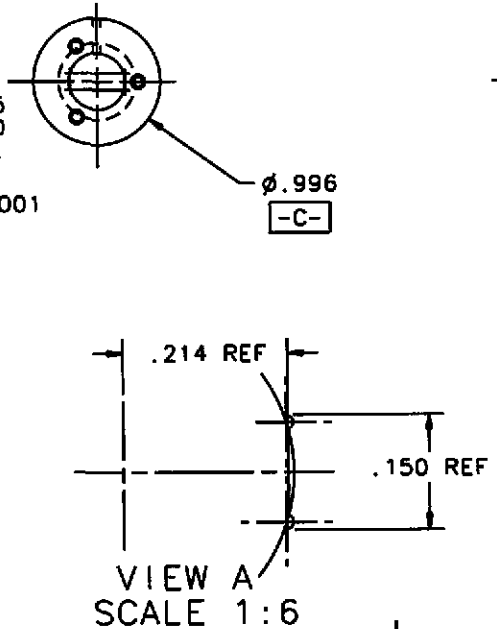
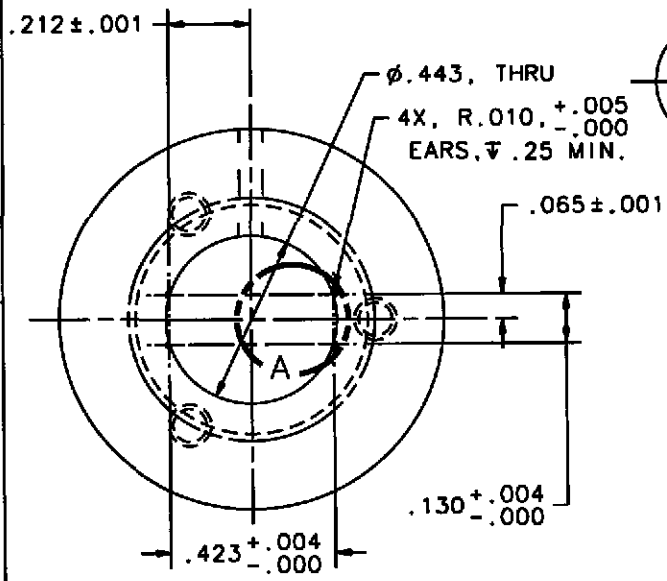
4

NOTES: (UNLESS OTHERWISE SPECIFIED)

- 1. BREAK ALL SHARP EDGES
.02/.01 X 45°
- 2. MATERIAL: MACOR
- 3. COAT ENTIRE HEAD
WITH A THIN LAYER OF
CONDUCTIVE MATERIAL TO
PROVIDE UNIFORM RESISTIVITY
OF .25 TO 25 OHMS/SQUARE.
- ④ LASER MARK THE DRAWING PART
NUMBER ON NOTED SURFACE OF
PART FOLLOWED BY "S/N"
THEN A THREE DIGIT SERIAL
NUMBER. SERIAL NUMBERS TO
START AT 001 FOR FIRST PART
AND PROCEED IN A CONSECUTIVE
MANNER TO A MAXIMUM OF 999.
FOR EACH SUCCEEDING PART
PRODUCED. USE 0.13 HIGH
CHARACTERS.
EXAMPLE: D000064-A S/N001



REV	DATE	DRAWN BY	CHECKED	DCC	DCN/DESCRIPTION
A	5/9/00	J. Romie			E000240/INITIAL RELEASE
B	5/26/00	J. Romie			E000264/ADD TOLERANCES
C	6/19/00	J. Romie			E000326/REMOVE NOTES 1, 4



QTY REQD	PART OR IDENTIFYING NO	MANUFACTURE OR DESCRIPTION	SERIAL SPECIFICATION	ITEM NO
PARTS LIST				
UNLESS OTHERWISE SPECIFIED DIMENSIONS ARE IN INCHES TOLERANCES ARE DECIMALS ANGLES ARE IN DEGREES		APPROVALS	DATE	LIGO
DRAWN BY: J. ROMIE		CHECKED:	2/00	CALIFORNIA INSTITUTE OF TECHNOLOGY MASSACHUSETTS INSTITUTE OF TECHNOLOGY
MATERIAL: MACOR	FINISH: \sqrt{S}	SCALE:	FILE:	SENSOR/ACTUATOR HEAD, LONG, SMD, MACOR
		FILENAME: /home/jrc/docs/D000064.pdf	SIZE: B	REV: C
			REV NO: D000064	SHEET 1 OF 1

1

2

3

4

1

2

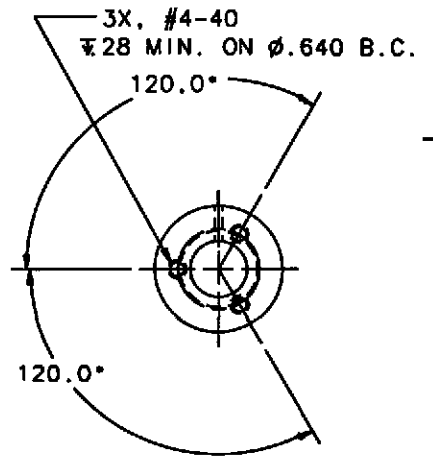
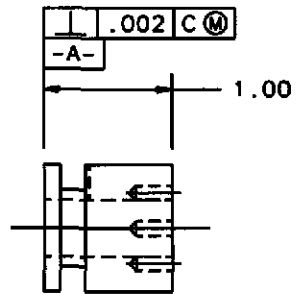
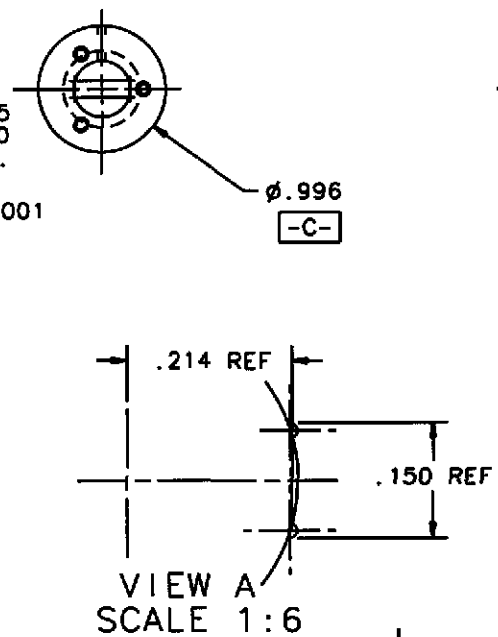
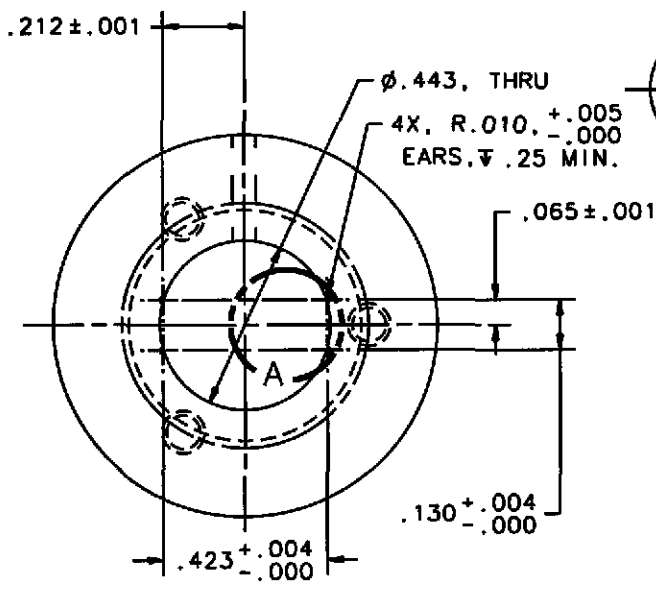
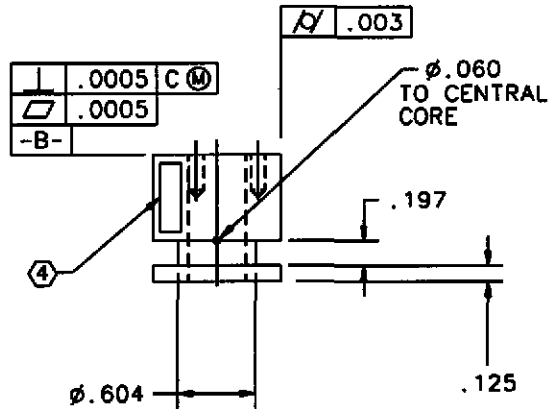
3

4

NOTES: (UNLESS OTHERWISE SPECIFIED)

- 1. BREAK ALL SHARP EDGES
.02/.01 X 45°
- 2. MATERIAL: MACOR
- 3. COAT ENTIRE HEAD WITH A THIN LAYER OF CONDUCTIVE MATERIAL TO PROVIDE UNIFORM RESISTIVITY OF .25 TO 25 OHMS/SQUARE.
- ④ LASER MARK THE DRAWING PART NUMBER ON NOTED SURFACE OF PART FOLLOWED BY "S/N" THEN A THREE DIGIT SERIAL NUMBER. SERIAL NUMBERS TO START AT 001 FOR FIRST PART AND PROCEED IN A CONSECUTIVE MANNER TO A MAXIMUM OF 999. FOR EACH SUCCEEDING PART PRODUCED. USE 0.13 HIGH CHARACTERS.
EXAMPLE: D000066-A S/N001

REV	DATE	DRAWN BY	CHECKED	DCC	DCN/DESCRIPTION
A	5/9/00	J. Romie			E000240/INITIAL RELEASE
B	5/26/00	J. Romie			E000264/ADD TOLERANCES
C	6/8/00	J. Romie			E000315/ADD .197 DIM.
D	6/19/00	J. Romie			E000326/REMOVE NOTES 1,4



QTY REQ	PART OR IDENTIFYING NO	MANUFACTURE OR DESCRIPTION	MATERIAL SPECIFICATION	UNIT NO.
PARTS LIST				
UNLESS OTHERWISE SPECIFIED DIMENSIONS ARE IN INCHES TOLERANCES ARE DECIMALS ANGLES 0.25-90.01 ANGLES-20.3		APPROVALS	DATE	
		J. ROMIE	2/00	
MATERIAL: MACOR				
FINISH: .16 MIN.				
SCALE		FILED		
		LIGO CALIFORNIA INSTITUTE OF TECHNOLOGY		
		TITLE: SENSOR/ACTUATOR HEAD, SHORT, SMD, MACOR		
		SIZE: B	DWG NO: D000066	REV: D
				SHEET 1 OF 1

1

2

3

4