



DOCUMENT CHANGE NOTICE (DCN)

DOCUMENT No. (DOC-REV-GP. ID)	TITLE	NEW REV.
D961421-A-D	Core Optic Component Carrier Base Plate	B
D961425-A-D	Core Optic Component Carrier Base Assembly	B
D961469-A-D	Core Optic Component Carrier Foot	B

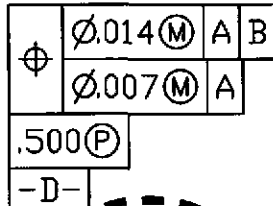
CHANGE DESCRIPTION (FROM/TO):

D961421 zone 4B:

FROM:

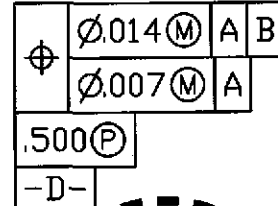
TO:

12X $\phi.375 \pm .010$ THRU



$\phi.625$ CDRILL $120^\circ \pm 1^\circ$ FS
 $\downarrow .050$

12X $\phi.375 \pm .010$ THRU



$\phi.625$ CDRILL $60^\circ \pm 1^\circ$ FS
 $\downarrow .050$

ACTION: Incorporate change Attach DCN to drawing(s) Other action (specify):

D. Coyne

DISPOSITION OF HARDWARE (IDENTIFY SERIAL NUMBERS)	DCN DISTRIBUTION
<input type="checkbox"/> No hardware affected (record change only)	Althouse Barish Coles
<input checked="" type="checkbox"/> List S/Ns which comply already: D961469 all parts.	Coyne Lazzarini Lindquist
<input type="checkbox"/> List S/Ns to be reworked or scrapped:	Sanders Shoemaker
<input checked="" type="checkbox"/> List S/Ns to be built with this change: All subsequent parts.	Stapfer Tyler Vogt
<input type="checkbox"/> List S/Ns to be retested per this change:	Weiss Whitcomb Young
<input type="checkbox"/>	Billingsley Camp
<input type="checkbox"/>	Conley Elieson
<input type="checkbox"/>	Fischer Jungwirth
<input type="checkbox"/>	
<input type="checkbox"/>	

SAFETY, COST, SCHEDULE, REQUIREMENTS IMPACT? No Yes (if yes, enter CR (CCB) or TCP (TRB) no.)

APPROVALS:	DATE	OTHER APPROVALS (specify)	DATE
ORIGINATOR: C. Conley	3-24-97	CHECK: <i>[Signature]</i>	3/25/97
TASK LEADER:			
GROUP LEADER: <i>D. Coyne</i>	3/26/97		
DCC RELEASE: <i>[Signature]</i>	5/10/97		



DOCUMENT CHANGE NOTICE

CHANGE DESCRIPTION (FROM/TO):

D961425 on parts list, item 11:

FROM:

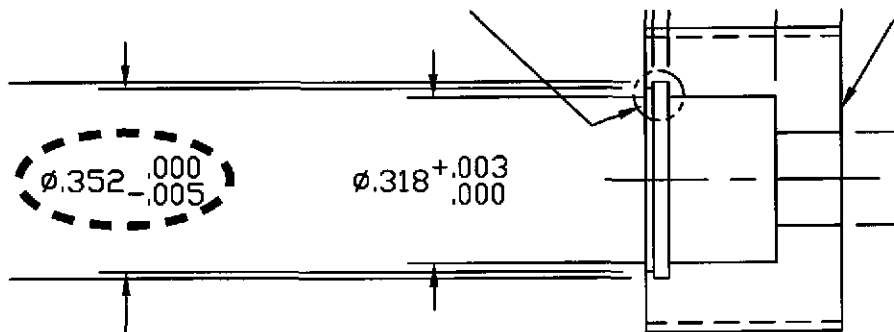
11	4	McM-Carr #92196A247	#10-24 X 1.00 LG SOC BTN HD SCR	STAINLESS STEEL
REF	QTY	PART or DRWG No.	NOMENCLATURE or DESCRIPTION	MATERIAL

TO:

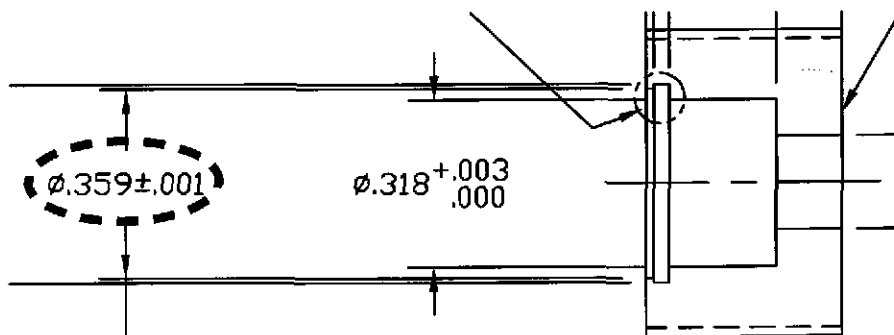
11	4	McM-Carr #92949A271	#10-32 X 1.00 LG SOC BTN HD SCR	STAINLESS STEEL
REF	QTY	PART or DRWG No.	NOMENCLATURE or DESCRIPTION	MATERIAL

D961469:

FROM:



TO:



REASON FOR CHANGE:

D961421: Dimension was incorrectly specified.

D961425: #10-32 screw thread necessary to fit mating part.

D961469: Larger clearance hole needed for installation of snap ring on next assembly (D961418).