

DCN REISSUED TO CORRECT DRAWING REV LETTERS



CALIFORNIA INSTITUTE OF TECHNOLOGY
MASSACHUSETTS INSTITUTE OF TECHNOLOGY

DCN No. **E970061-01-D**

SHEET **1** OF **2**

DOCUMENT CHANGE NOTICE (DCN)

DOCUMENT No. (DOC-REV-GP. ID)	TITLE	NEW REV.
D961419-A-D	Large Core Optic Component Carrier Cover Assembly	B
D961420-A-D	Beam Splitter Optic Carrier Cover Assembly	B
D961425-B-D	Core Optic Component Carrier Base Assembly	C
D961450-A-D	Core Optic Component Carrier Top Plate Assembly	B
D961468-A-D	Core Optic Component Carrier Metrology Interface Top Plate Assembly	B

CHANGE DESCRIPTION (FROM/TO):

D961419 & D961420:

Changed text of delta note 1 from:

Stamp serial number approx. where shown using indelible black ink, 3/16 inch high lettering.

to:

Mark serial number approx. where shown by engraving, die stamping, or other permanent method, 1/4 inch high lettering.

D961425:

Changed text of delta note 1 from:

Stamp serial number approx. where shown using indelible black ink, 1/4 inch high lettering.

to:

Mark serial number approx. where shown by engraving, die stamping, or other permanent method, 1/4 inch high lettering.

REASON FOR CHANGE: Noted.

ACTION: Incorporate change Attach DCN to drawing(s) Other action (specify):

DISPOSITION OF HARDWARE (IDENTIFY SERIAL NUMBERS)

- No hardware affected (record change only)
- List S/Ns which comply already:
- List S/Ns to be reworked or scrapped:
- List S/Ns to be built with this change: all
- List S/Ns to be retested per this change:
-
-
-

DCN DISTRIBUTION (X=incl. docs)

Althouse	Barish	Coles
X Coyne	Lazzarini	Lindquist
Stapfer	Sanders	Shoemaker
Weiss	Tyler	Whitcomb
	Whitcomb	
	Billingsley	Camp
X Conley		X Elieson
Fischer		

SAFETY, COST, SCHEDULE, REQUIREMENTS IMPACT? No Yes (if yes, enter Change Request number)

APPROVALS:	DATE	OTHER APPROVALS (specify)	DATE
ORIGINATOR: C. Conley	7-23-97		
TASK LEADER:			
GROUP LEADER:	7/25/97		
DCC RELEASE:	8/2/97		



DOCUMENT CHANGE NOTICE

CHANGE DESCRIPTION (FROM/TO):

D961425: (continued)

Pictorially updated to include pocket features added to part D961421 (base plate), and matching cut-out feature added to part D961424 (teflon base cover).

D961450 & D961468:

Added delta note 3 callout for serial number marking on top plate in plan view.

Added delta note 3 to notes list as follows:

Mark serial number approx. where shown by engraving, die stamping, or other permanent method, 1/4 inch high lettering.





DOCUMENT CHANGE NOTICE (DCN)

DOCUMENT No. (DOC-REV-GP. ID)	TITLE	NEW REV.
D961419-B-D	Large Core Optic Component Carrier Cover Assembly	C
D961420-B-D	Beam Splitter Optic Carrier Cover Assembly	C
D961425-B-D	Core Optic Component Carrier Base Assembly	C
D961450-B-D	Core Optic Component Carrier Top Plate Assembly	C
D961468-B-D	Core Optic Component Carrier Metrology Interface Top Plate Assembly	C

CHANGE DESCRIPTION (FROM/TO):

D961419 & D961420:

Changed text of delta note 1 from:

Stamp serial number approx. where shown using indelible black ink, 3/16 inch high lettering.

to:

Mark serial number approx. where shown by engraving, die stamping, or other permanent method, 1/4 inch high lettering.

D961425:

Changed text of delta note 1 from:

Stamp serial number approx. where shown using indelible black ink, 1/4 inch high lettering.

to:

Mark serial number approx. where shown by engraving, die stamping, or other permanent method, 1/4 inch high lettering.

REASON FOR CHANGE: Noted.

ACTION: Incorporate change Attach DCN to drawing(s) Other action (specify):

DISPOSITION OF HARDWARE (IDENTIFY SERIAL NUMBERS)	DCN DISTRIBUTION (X=incl. docs)
<input type="checkbox"/> No hardware affected (record change only)	Althouse Barish Coles
<input type="checkbox"/> List S/Ns which comply already:	X Coyne Lazzarini Lindquist
<input type="checkbox"/> List S/Ns to be reworked or scrapped:	Stapfer Sanders Shoemaker
<input checked="" type="checkbox"/> List S/Ns to be built with this change: all	Weiss Tyler Vogt
<input type="checkbox"/> List S/Ns to be retested per this change:	Whitcomb
<input type="checkbox"/>	Billingsley Camp
<input type="checkbox"/>	x Conley x Elieson
<input type="checkbox"/>	Fischer
<input type="checkbox"/>	
<input type="checkbox"/>	

SAFETY, COST, SCHEDULE, REQUIREMENTS IMPACT? No Yes (If yes, enter Change Request number)

APPROVALS:	DATE	OTHER APPROVALS (specify)	DATE
ORIGINATOR: C. Conley	5-7-97		
TASK LEADER: _____			
GROUP LEADER: <i>Remond Coyne</i>	5/14/97		
DCC RELEASE: <i>Stuman</i>	5/14/97		



DOCUMENT CHANGE NOTICE

CHANGE DESCRIPTION (FROM/TO):

D961425: (continued)

Pictorially updated to include pocket features added to part D961421 (base plate), and matching cut-out feature added to part D961424 (teflon base cover).

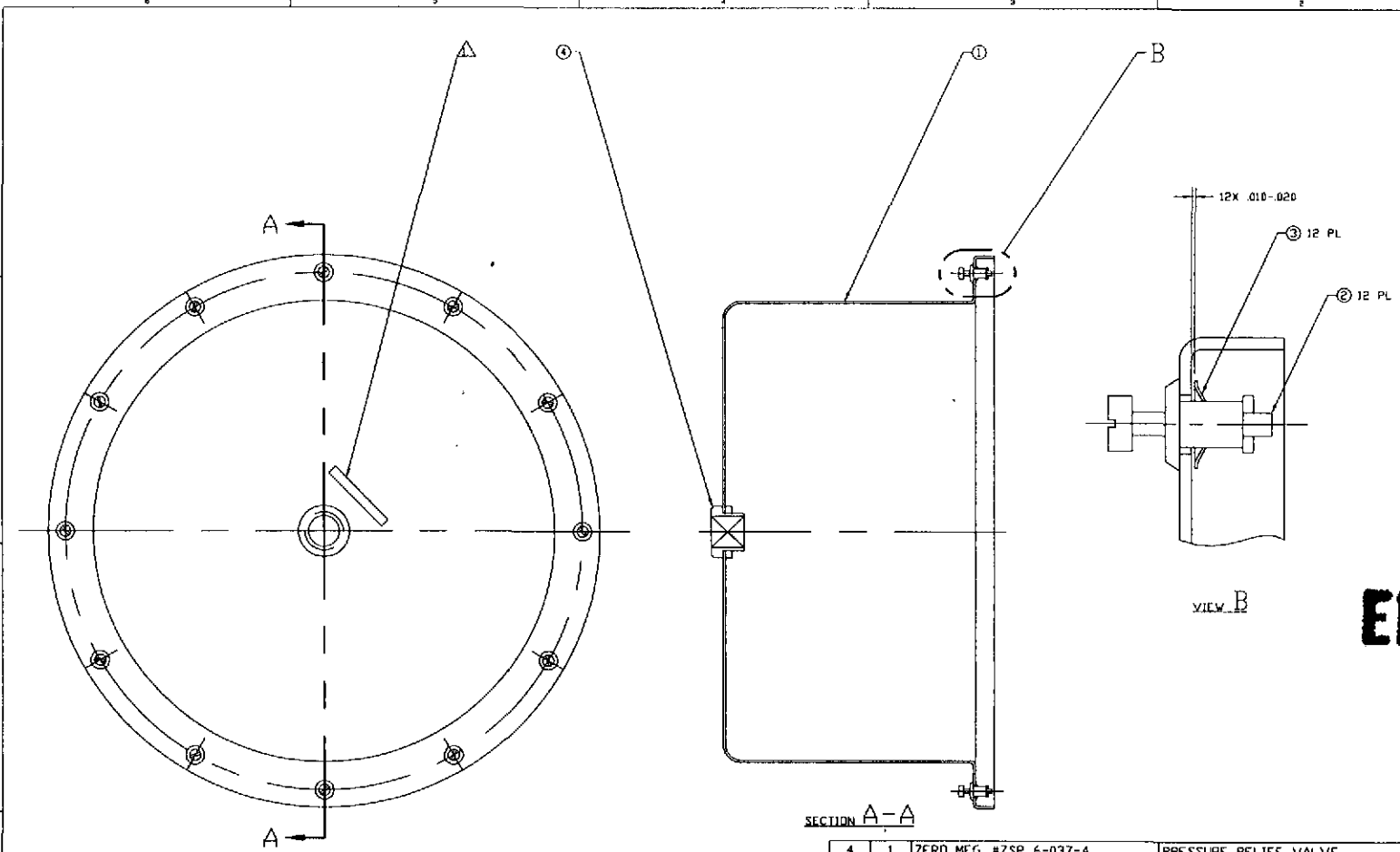
D961450 & D961468:

Added delta note 3 callout for serial number marking on top plate in plan view.

Added delta note 3 to notes list as follows:

Mark serial number approx. where shown by engraving, die stamping, or other permanent method, 1/4 inch high lettering.

NOTES: UNLESS OTHERWISE SPECIFIED:
 ▲ MARK SERIAL NUMBER APPROX. WHERE SHOWN BY ENGRAVING, DIE STAMPING, OR OTHER PERMANENT METHOD, 1/4 INCH HIGH LETTERING.
 ▲ FOR VENDOR INFORMATION, SEE TOP ASSEMBLY MATERIALS LIST D961419 OR D970007.

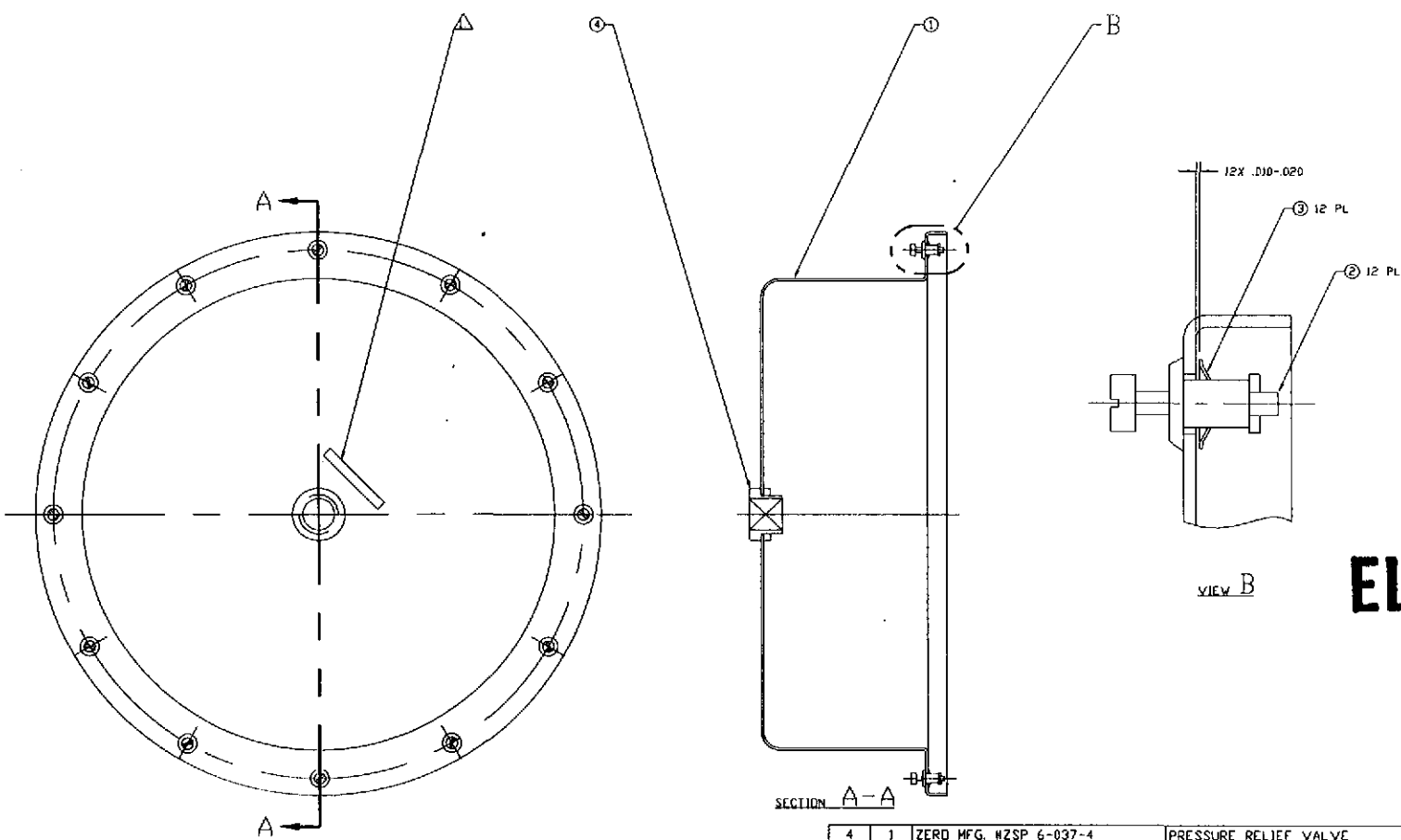


ELECTRONIC COPY

REF.	QTY.	PART or DRWG No.	NOMENCLATURE or DESCRIPTION	MATERIAL
4	1	ZERO MFG. #ZSP 6-037-4	PRESSURE RELIEF VALVE	ALUM
3	12	CAMLOCK PRD'D'S DIV #2600-LW-7	QUARTER TURN FASTENER RETAINING RING	SS
2	12	CAMLOCK PRD'D'S DIV #26551-5	QUARTER TURN FASTENER STUD	SS
3	1	D961416	COVER	-

TOLERANCES - UNLESS OTHERWISE SPECIFIED DIMENSIONS ARE IN INCHES		THREE PLACE DECIMAL 3 FINISHED SURFACE BRICK CORNERS 1/4" DIA. REMOVE ALL BURRS		PARTS and MATERIAL LIST										LIGO CALIFORNIA INSTITUTE OF TECHNOLOGY WASHINGTON FIELD OFFICE				
FRAC.	ANG.	HEAT TREAT.	FINISH	REV.	DESCRIPTION	DEC	SYS	DET	EDS	VE	CC	BT	CHECK	DRWN	DATE	SCALE	SHEET	1 OF 1
1/16	1/16			B	DCN 1970061										5-7-97			
1/32	1/32			A	DCN 1960157										8-14-97			
				01	RELEASE FOR FAB													
				0A	PRELIMINARY RELEASE													
				00	PRE-RELEASE										12-11-96			
DRG NO.	DESCRIPTION	MATERIAL	HEAT TREAT.	REV.	DESCRIPTION	DEC	SYS	DET	EDS	VE	CC	BT	CHECK	DRWN	DATE	SCALE	SHEET	1 OF 1
	REFERENCE DRAWINGS	USED ON:													D961419-B.dwg			D961419-B-D

NOTES: UNLESS OTHERWISE SPECIFIED:
 ▲ MARK SERIAL NUMBER APPROX. WHERE SHOWN BY ENGRAVING, DIE STAMPING, OR OTHER PERMANENT METHOD, 1/4 INCH HIGH LETTERING
 ▲ FOR VENDOR INFORMATION, SEE TOP ASSEMBLY MATERIALS LIST D970006 OR D970007



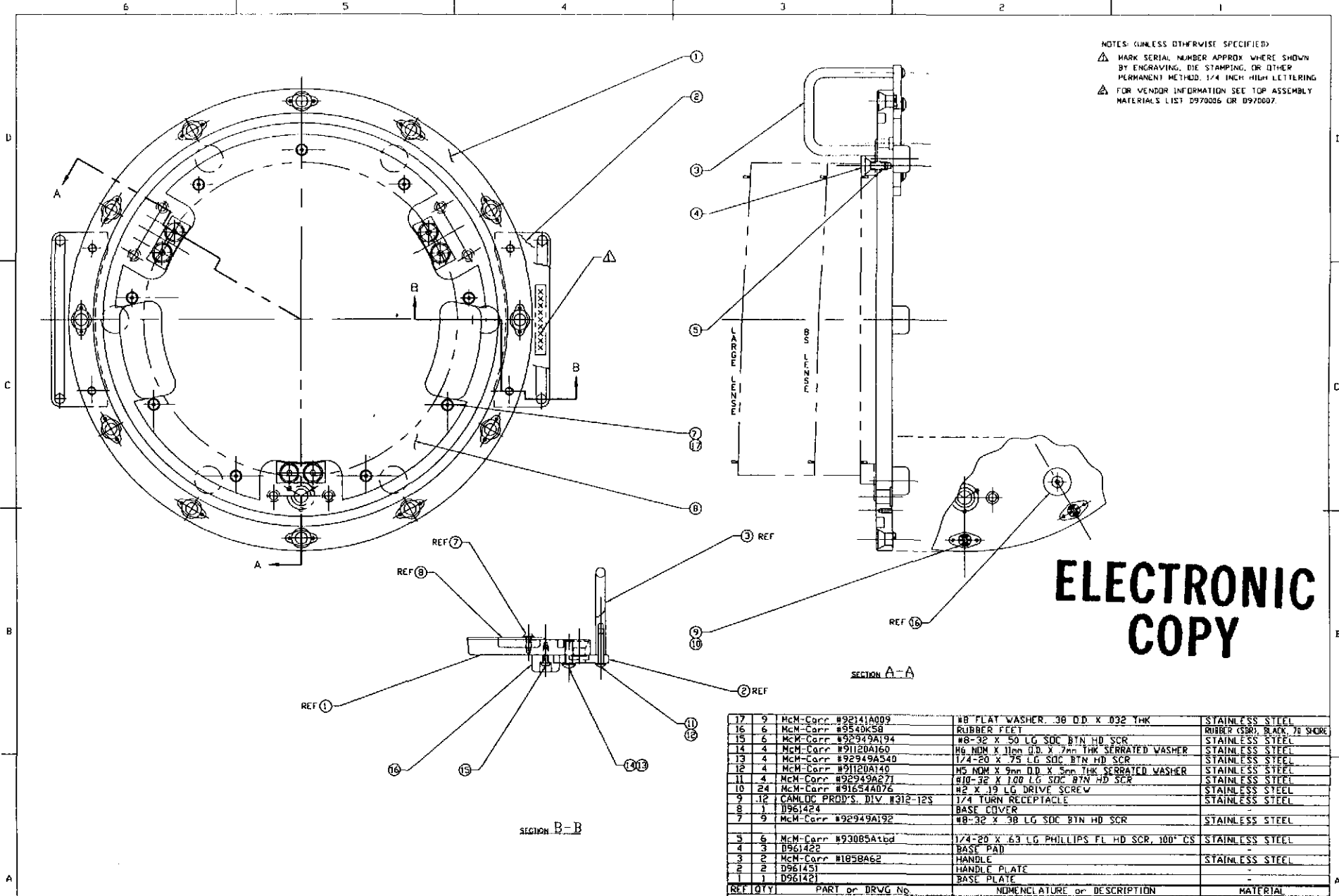
ELECTRONIC COPY

REF.	QTY.	PART or DRWG No.	NOMENCLATURE or DESCRIPTION	MATERIAL
4	1	ZERD MFG. #ZSP 6-037-4	PRESSURE RELIEF VALVE	ALUM
3	2	CAMLOCK PRDD'S. DIV #2600-LW-7	QUARTER TURN FASTENER RETAINING RING	SS
2	1	CAMLOCK PRDD'S. DIV #26551-5	QUARTER TURN FASTENER STUD	SS
1	1	D961417	COVER	-

TOLERANCES: FRACTIONAL * ANGULAR & BEND † TWO PLACE DECIMAL ‡		UNLESS OTHERWISE SPECIFIED DIMENSIONS ARE IN INCHES		THREE PLACE DECIMAL § FINISHED SURFACE RIMS BREAK CORNERS IN OUT. REMOVE ALL BURRS		PARTS and MATERIAL LIST ▲										L350 CALIFORNIA INSTITUTE OF TECHNOLOGY MASSACHUSETTS INSTITUTE OF TECHNOLOGY				
INVS. NO.	DESCRIPTION	MATERIAL	HEAT TREAT	FINISH	REV	DEC	SYB	DEF	CSB	VE	CC	BT	CHEK	IRVN	DATE	SCALE	SIZE	NO	NO	
	REFERENCE DRAWINGS	USED CW																D961420-B-0	8	D961420-B-D

BEAM SPLITTER OPTIC CARRIER COVER ASSEMBLY

NOTES: UNLESS OTHERWISE SPECIFIED:
 ▲ MARK SERIAL NUMBER WHERE SHOWN BY ENGRAVING, DIE STAMPING, OR OTHER PERMANENT METHOD. 1/4 INCH HIGH LETTERING.
 ▲ FOR VENDOR INFORMATION SEE TOP ASSEMBLY MATERIALS LIST D970006 OR D970007.



REF	QTY	PART or DRWG No.	NOMENCLATURE or DESCRIPTION	MATERIAL
17	9	McM-Carr #92141A009	#8 FLAT WASHER, .38 D.D. X .032 THK	STAINLESS STEEL
16	6	McM-Carr #9540K58	RUBBER FEET	RUBBER (SBR), BLACK, 70 SHORE
15	6	McM-Carr #92949A194	#8-32 X 50 LG SDC BTN HD SCR	STAINLESS STEEL
14	4	McM-Carr #91120A160	#6 HDN X 11mm D.D. X 7mm THK SERRATED WASHER	STAINLESS STEEL
13	4	McM-Carr #92949A340	1/4-20 X 75 LG SDC BTN HD SCR	STAINLESS STEEL
12	4	McM-Carr #91120A140	#5 HDN X 9mm D.D. X 5mm THK SERRATED WASHER	STAINLESS STEEL
11	4	McM-Carr #92949A271	#10-32 X 100 LG SDC BTN HD SCR	STAINLESS STEEL
10	24	McM-Carr #91654A076	#2 X .19 LG DRIVE SCREW	STAINLESS STEEL
9	12	CAMLOC PROD'S, DIV #312-12S	1/4 TURN RECEPTACLE	STAINLESS STEEL
8	1	D961424	BASE COVER	
7	9	McM-Carr #92949A192	#8-32 X 38 LG SDC BTN HD SCR	STAINLESS STEEL
5	6	McM-Carr #93085A1bd	1/4-20 X .63 LG PHILLIPS FL HD SCR, 100° CS	STAINLESS STEEL
4	3	D961422	BASE PAD	
3	2	McM-Carr #1858A62	HANDLE	STAINLESS STEEL
2	2	D961451	HANDLE PLATE	
1	1	D961421	BASE PLATE	

DRG. NO.	DESCRIPTION	MATERIAL	HEAT TREAT	FINISH	REV	DESCRIPTION	ISSUE DESCRIPTION	DATE	BY	CHKD	APP'D	DATE	SCALE	SHEET	TOTAL
	REFERENCE DRAWINGS														

LIGO CALIFORNIA INSTITUTE OF TECHNOLOGY
 MASSACHUSETTS INSTITUTE OF TECHNOLOGY
 CORE OPTIC COMPONENT CARRIER
 BASE ASSEMBLY
 DRG. NO. D961425-C-11
 SHEET 1 OF 1

