



CALIFORNIA INSTITUTE OF TECHNOLOGY
 MASSACHUSETTS INSTITUTE OF TECHNOLOGY

DCN No. **E990239-00**
 SHEET **1** OF **1**

DOCUMENT CHANGE NOTICE (DCN)

DOCUMENT No. (DOC-REV-GP. ID)	TITLE	NEW REV.
D990173-00	Elliptical Baffle Counterweight	A
D990174-00	Counterweight Mounting Screw	A

CHANGE DESCRIPTION (FROM/TO):
 Initial release, two documents.

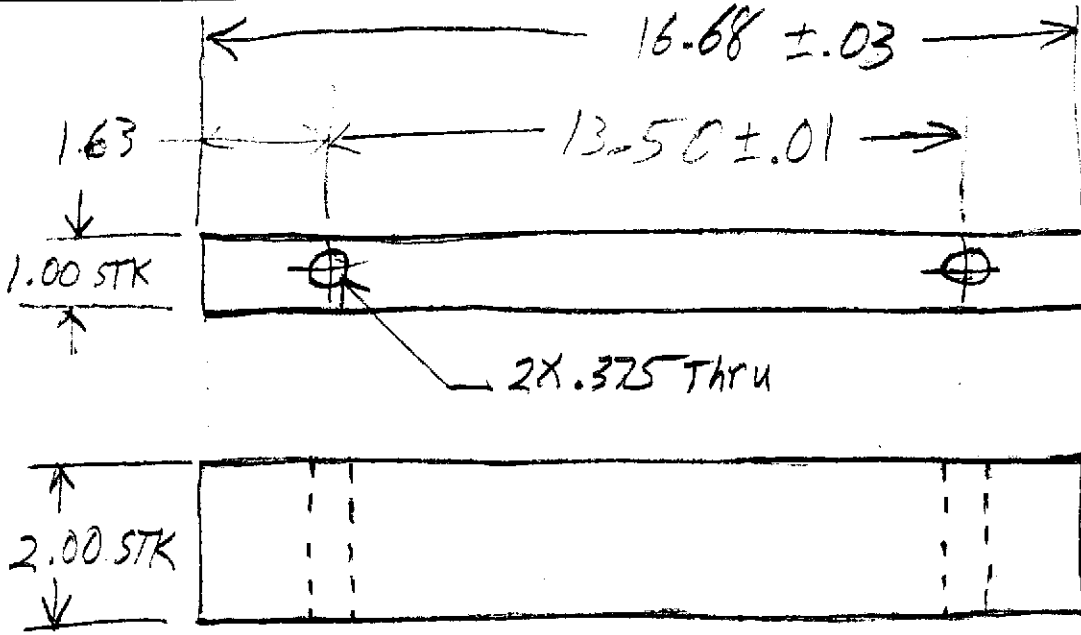
ACTION: Incorporate change Attach DCN to drawing(s) Other action (specify):

DISPOSITION OF HARDWARE (IDENTIFY SERIAL NUMBERS)	DCN DISTRIBUTION (X=incl. docs)
<input type="checkbox"/> No hardware affected (record change only)	Althouse Barish Coles
<input type="checkbox"/> List S/Ns which comply already:	X Coyne Lazzarini Lindquist
<input type="checkbox"/> List S/Ns to be reworked or scrapped:	Sanders Shoemaker Stapfer
<input type="checkbox"/> List S/Ns to be built with this change:	Tyler Weiss X Whitcomb
<input type="checkbox"/> List S/Ns to be retested per this change:	Camp X Conley
<input type="checkbox"/>	X Jones X Smith
<input type="checkbox"/>	
<input type="checkbox"/>	
<input type="checkbox"/>	

SAFETY, COST, SCHEDULE, REQUIREMENTS IMPACT? No Yes (if yes, enter Change Request number)

APPROVALS:	DATE	OTHER APPROVALS (specify)	DATE
ORIGINATOR: C. Conley	6-2-99		
TASK LEADER: <i>Michael Smith</i>	<i>6/2/99</i>		
GROUP LEADER: <i>Dennis Coyne</i>	<i>6/3/99</i>		
DCC RELEASE: <i>Anna Swan</i>	<i>6-23-99</i>		

13-782 500 SHEETS, FILLER, 5 SQUARE
12-801 100 SHEETS, FILLER, 5 SQUARE
42-381 100 SHEETS, FILLER, 5 SQUARE
42-382 200 SHEETS, FILLER, 5 SQUARE
42-383 100 RECYCLED WHITE, 5 SQUARE
42-385 200 RECYCLED WHITE, 5 SQUARE
Made in U.S.A.



Material - 300 series stainless

Charge 5F515

Craig Conley

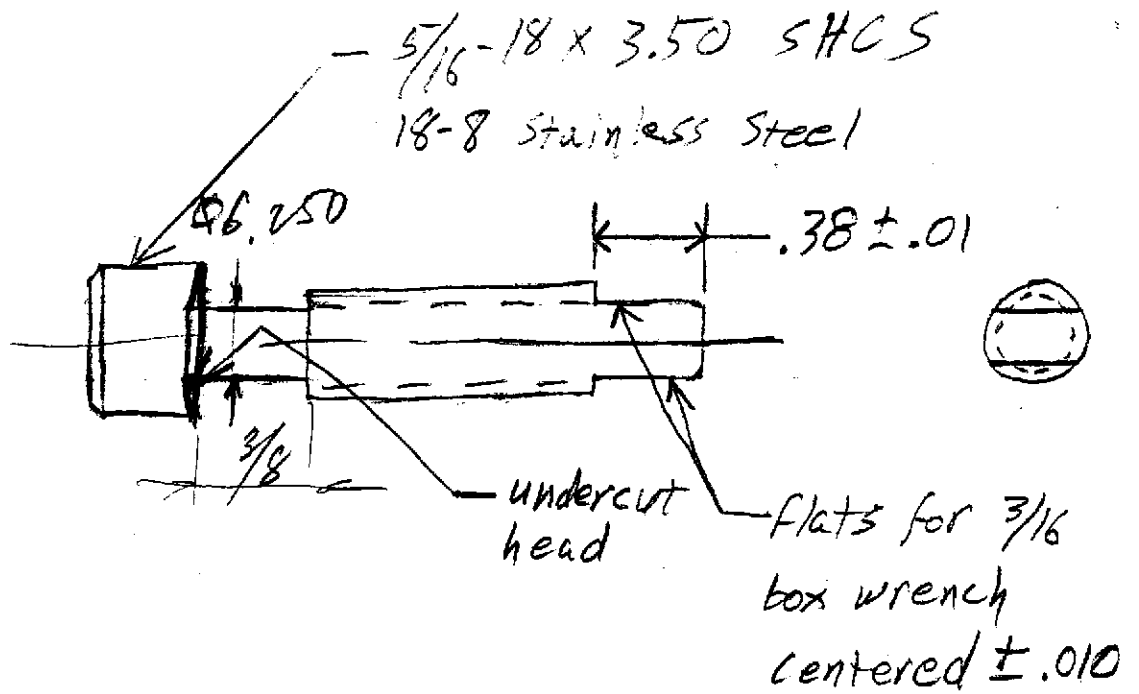
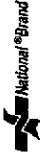
xt 2160

rev. A
DCN E990239

Elliptical Baffle
Counterweight
4/12/99

D990173-A

13-792 500 SHEETS, FILLER 5 SQUARE
42-381 50 SHEETS, EYE EASY 5 SQUARE
42-382 100 SHEETS, EYE EASY 5 SQUARE
42-383 200 SHEETS, EYE EASY 5 SQUARE
42-384 100 SHEETS, EYE EASY 5 SQUARE
42-385 100 RECYCLED, WHITE 5 SQUARE
42-386 200 RECYCLED, WHITE 5 SQUARE
Made in U.S.A.



Quce - 2
Charge 57515
Craig Conley
xt 2160

rev. A
DUN E990239

Counterweight
Mounting Screw
4/12/99

D990174-A