



CALIFORNIA INSTITUTE OF TECHNOLOGY
 MASSACHUSETTS INSTITUTE OF TECHNOLOGY

DCN No. E990255-00-D

SHEET 1 OF 1

DOCUMENT CHANGE NOTICE (DCN)

DOCUMENT No. (DOC-REV-GP. ID)	TITLE	NEW REV.
D990409-00-D	Bridge Spanner	A
D990410-00-D	Spanner Support Plate	A

CHANGE DESCRIPTION (FROM/TO): Initial Release

submitted about to doc 6-21-99

REASON FOR CHANGE: n/a

ACTION: Incorporate change Attach DCN to drawing(s) Other action (specify):

DISPOSITION OF HARDWARE (IDENTIFY SERIAL NUMBERS)

- No hardware affected (record change only)
- List S/Ns which comply already:
- List S/Ns to be reworked or scrapped:
- List S/Ns to be built with this change:
- List S/Ns to be retested per this change:
-
-
-
-

DCN DISTRIBUTION (X=incl. docs)

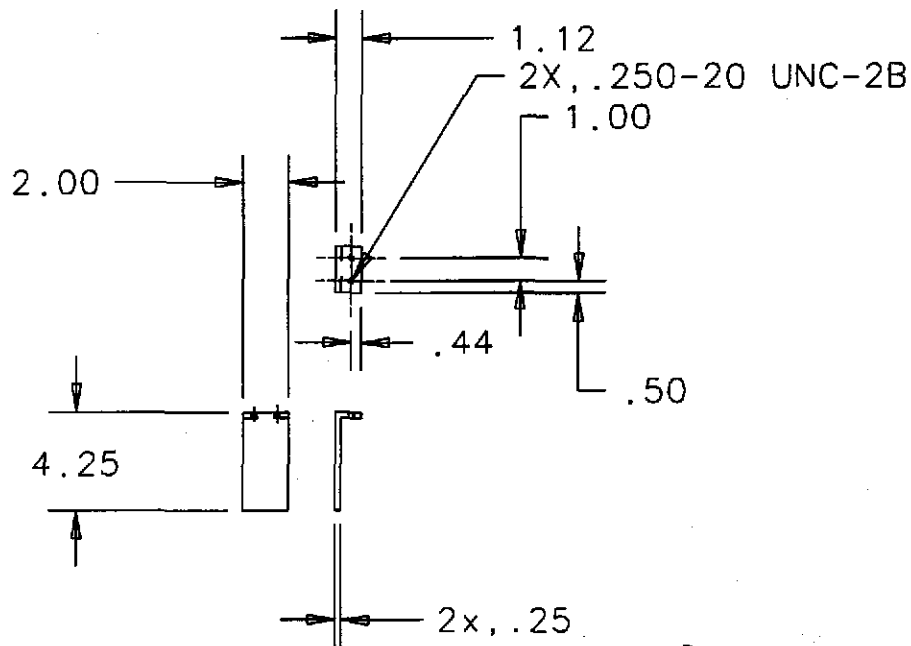
Althouse	Barish	Coles
X Coyne	Lazzarini	Lindquist
Raab	Sanders	Shoemaker
Stapler	Tyler	Weiss
Whitcomb	Zydowicz	
Bork	Zucker	
Barton	Mason	
Camp	Jones	
Fine		
X Romie		

SAFETY, COST, SCHEDULE, REQUIREMENTS IMPACT? No Yes (If yes, enter Change Request number)

APPROVALS:	DATE	OTHER APPROVALS (specify)	DATE
ORIGINATOR: J. Romie	6-17-99		
TASK LEADER:			
GROUP LEADER: <i>[Signature]</i>			
DCC RELEASE: <i>[Signature]</i>	6-22-99		

REV	DATE	DRAWN BY	CHECKED	DCC	DCN/DESCRIPTION
A	6/21/99	J. Romie			E990255/INITIAL RELEASE

NOTES: (UNLESS OTHERWISE SPECIFIED)
 1. DIMENSIONS IN INCHES.
 2. BREAK ALL SHARP EDGES.



ELECTRONIC COPY

QTY REQ		FSCM NO	PART OR IDENTIFYING NO	NOMENCLATURE OR DESCRIPTION		MATERIAL SPECIFICATION	ITEM NO
PARTS LIST							
UNLESS OTHERWISE SPECIFIED DIMENSIONS ARE IN IN (mm) TOLERANCES ARE: FRACTIONS DECIMALS 0.XX=±0.03 0.XXX=±0.005 ANGLES=±0.5° DO NOT SCALE DRAWING		APPROVALS		DATE	LIGO CALIFORNIA INSTITUTE OF TECHNOLOGY MASSACHUSETTS INSTITUTE OF TECHNOLOGY		
		DRAWN J. Romie	GROUP	6/99	TITLE SPANNER SUPPORT PLATE		
MATERIAL	6061-T6 ALUM			SIZE	DWG NO.	D990410	REV A
SCALE	NONE			FILENAME	/home/dcc/docs/D990410.pdf		SHEET 1 OF 1

NOTES: (UNLESS OTHERWISE SPECIFIED)
 1. DIMENSIONS IN INCHES.
 2. REMOVE ALL BURRS AND SHARP EDGES.

REV	DATE	DRAWN BY	CHECKED	DOC	CON/DESCRIPTION
A	6-17-99	J.Romie			E990255/INITIAL RELEASE

A

A

B

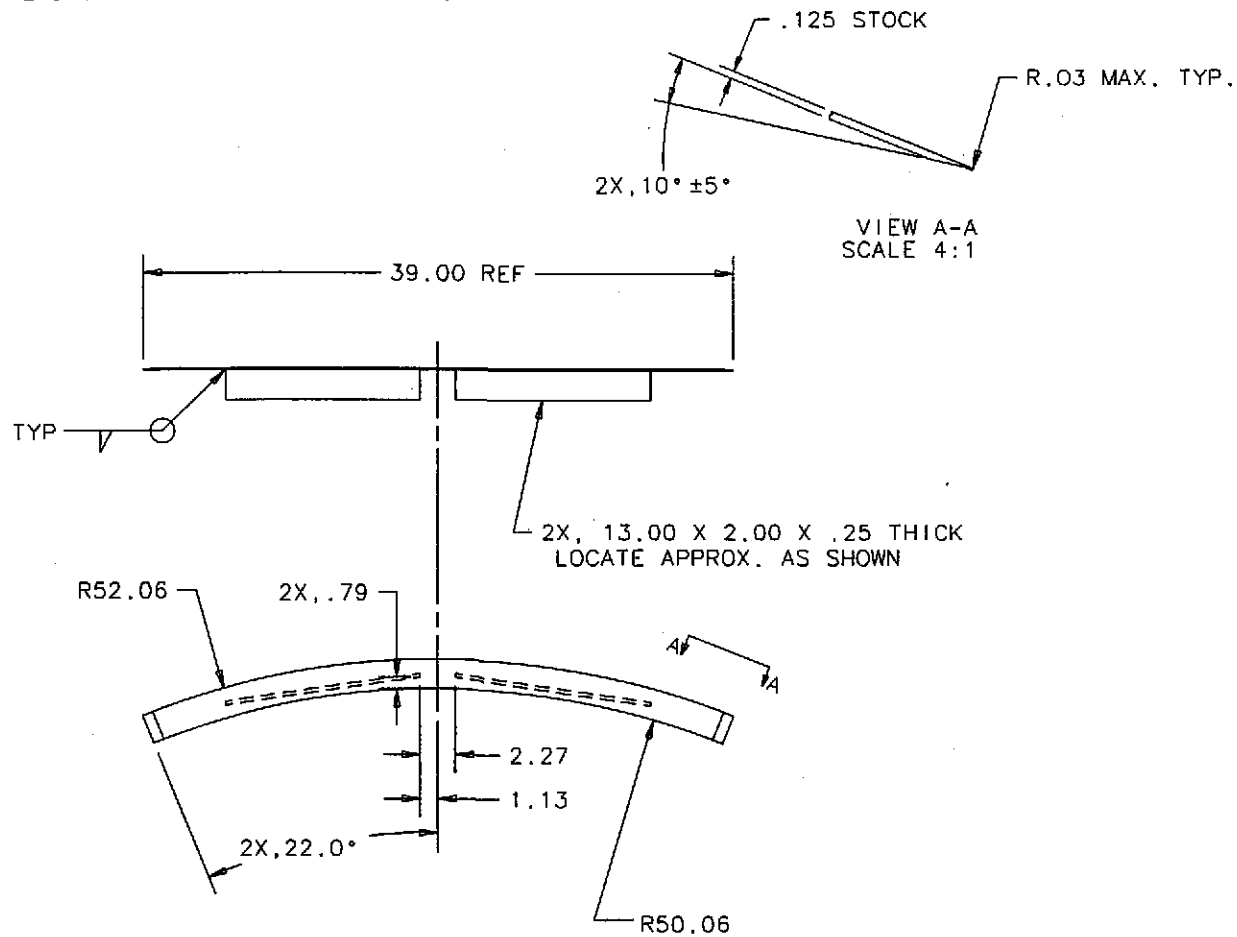
B

C

C

D

D



**ELECTRONIC
COPY**

QTY REQ	FORM NO	PART OR IDENTIFYING NO	NAME/CATOR OR DESCRIPTION	MATERIAL SPECIFICATION	UNIT NO
PARTS LIST					
UNLESS OTHERWISE SPECIFIED DIMENSIONS ARE IN INCHES TOLERANCES ARE: FRACTIONS DECIMALS 0.XX±0.01 0.XXX±0.005 ANGLES±0.5° DO NOT SCALE DRAWING			APPROVALS DRAWN J.Romie CHECKED	DATE 6/99	LIGO CALIFORNIA INSTITUTE OF TECHNOLOGY MASSACHUSETTS INSTITUTE OF TECHNOLOGY TITLE BRIDGE SPANNER
NEXT ASSEMBLY D980182	MATERIAL 300 SERIES STAINLESS	FITING NONE	SCALE 1/8		DOC NO. D990409-A-D
FILE LOCATION /china/ccc/0802/080409.dwt				SCALE 1/8	SHEET 1 OF 1

1

2

3

4