



CALIFORNIA INSTITUTE OF TECHNOLOGY
 MASSACHUSETTS INSTITUTE OF TECHNOLOGY

DCN No. E990258

SHEET 1 OF 1

DOCUMENT CHANGE NOTICE (DCN)

DOCUMENT No. (DOC-REV-GP. ID)	TITLE	NEW REV.
D970550-B-D	GUIDE ROD FIXTURE, BEAMSPLITTER OPTICS	C

CHANGE DESCRIPTION (FROM/TO): Sheet 2, change dimension 11.778 +/- .001 to 11.481 +/- .001
 Sheet 2, change dimension 5.889 +/- .001 to 5.741 +/- .001
 Sheet 2, change dimension .912 to 2X, .764, remove one .912 dimension.

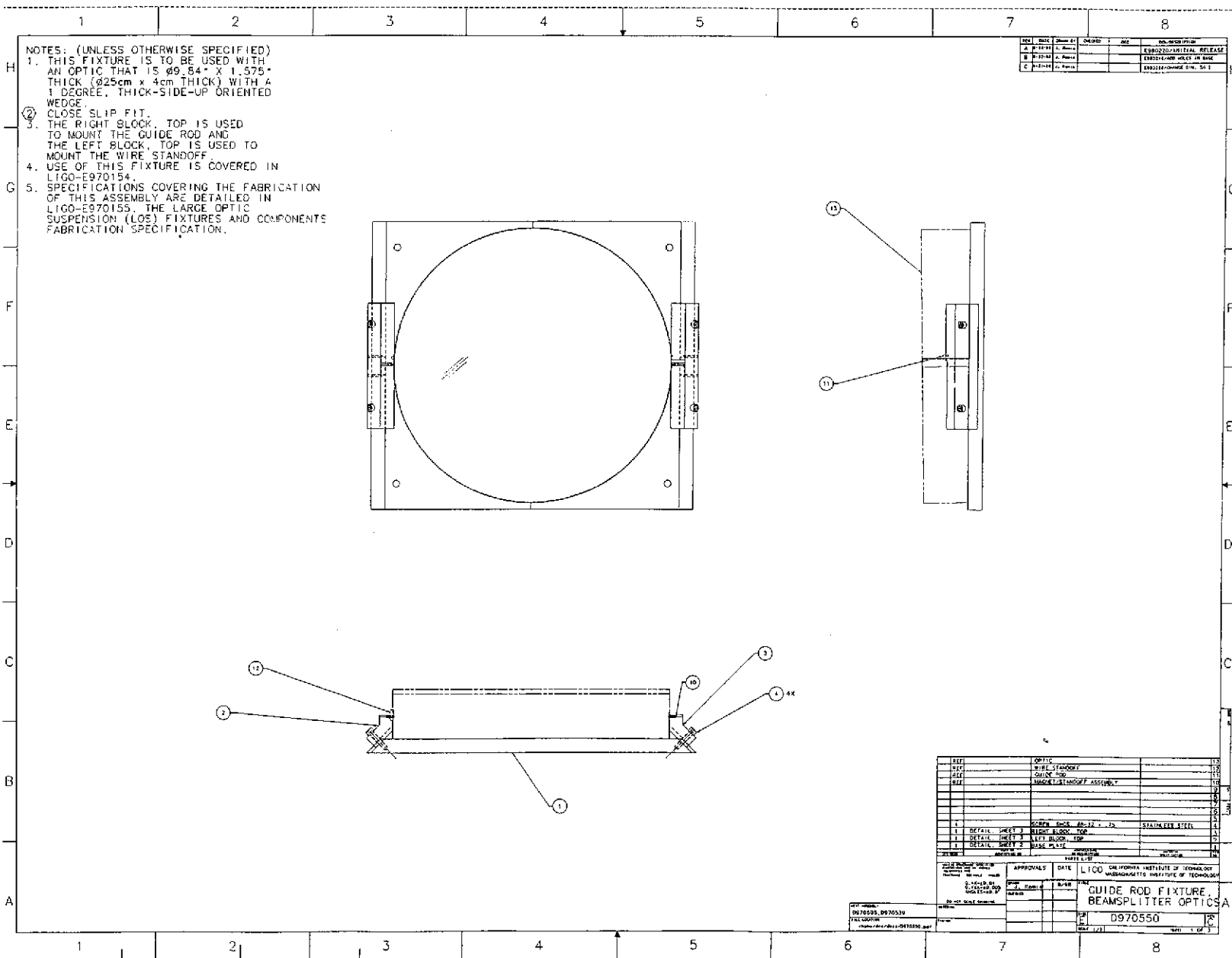
REASON FOR CHANGE: dimensional error

ACTION: Incorporate change Attach DCN to drawing(s) Other action (specify):

DISPOSITION OF HARDWARE (IDENTIFY SERIAL NUMBERS)	DCN DISTRIBUTION (X=incl. docs)
<input type="checkbox"/> No hardware affected (record change only)	Aithouse Barish Coles
<input type="checkbox"/> List S/Ns which comply already:	X Coyne Lazzarini Lindquist
<input checked="" type="checkbox"/> List S/Ns to be reworked or scrapped: 001, 002 base plate only	Raab Sanders Shoemaker
<input type="checkbox"/> List S/Ns to be built with this change:	Stapfer Tyler Weiss
<input type="checkbox"/> List S/Ns to be retested per this change:	Whitcomb Zydowicz
<input type="checkbox"/>	Bork Zucker
<input type="checkbox"/>	Barton Mason
<input type="checkbox"/>	Camp Jones
<input type="checkbox"/>	Fine
<input type="checkbox"/>	X Romie

SAFETY, COST, SCHEDULE, REQUIREMENTS IMPACT? No Yes (If yes, enter Change Request number)

APPROVALS:	DATE	OTHER APPROVALS (specify)	DATE
ORIGINATOR: J. Romie	6-21-99		
TASK LEADER: <i>Mike Kim</i>			
GROUP LEADER:			
DCC RELEASE: <i>Linda Lujan</i>	6-23-99		



NOTES: (UNLESS OTHERWISE SPECIFIED)

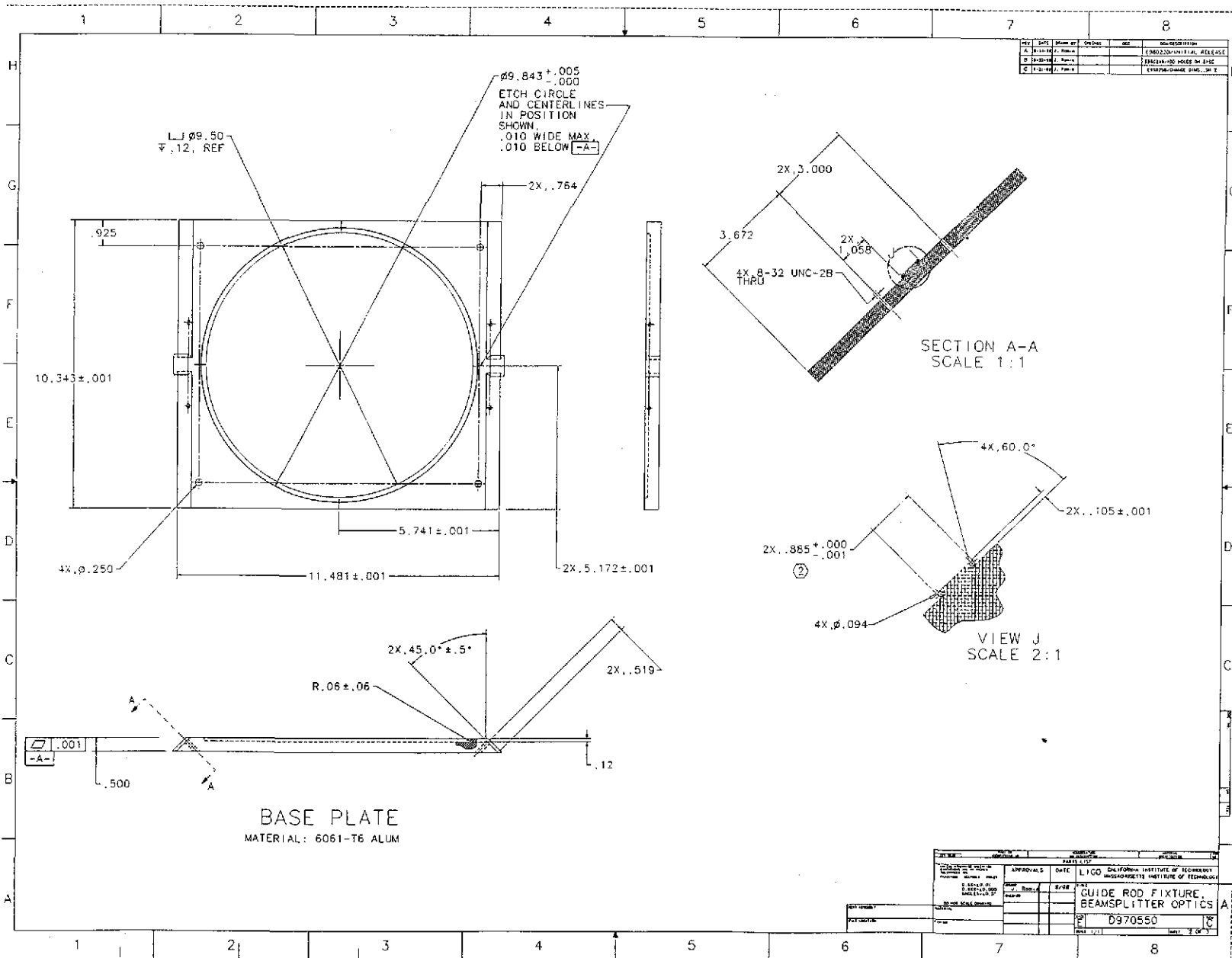
1. THIS FIXTURE IS TO BE USED WITH AN OPTIC THAT IS $\phi 9.54" \times 1.575"$ THICK ($\phi 25\text{cm} \times 4\text{cm}$ THICK) WITH A 1 DEGREE, THICK-SIDE-UP ORIENTED WEDGE.
2. CLOSE SLIP FIT.
3. THE RIGHT BLOCK, TOP IS USED TO MOUNT THE GUIDE ROD AND THE LEFT BLOCK, TOP IS USED TO MOUNT THE WIRE STANDOFF.
4. USE OF THIS FIXTURE IS COVERED IN LIGO-E970154.
5. SPECIFICATIONS COVERING THE FABRICATION OF THIS ASSEMBLY ARE DETAILED IN LIGO-E970155. THE LARGE OPTIC SUSPENSION (LOS) FIXTURES AND COMPONENTS FABRICATION SPECIFICATION.

REV	DATE	BY	CHKD	APP	DESCRIPTION
A	8/11/91	J. Allen			EXPLODED VIEW RELEASE
B	8/12/91	J. Allen			EXPLODED VIEW IN BAG
C	8/13/91	J. Allen			EXPLODED VIEW IN BAG

REV	DATE	BY	CHKD	APP	DESCRIPTION
1					OPTIC
2					WIRE STANDOFF
3					GUIDE ROD
4					WEDGE STANDOFF ASSEMBLY
5					
6					
7					
8					
9					
10					
11					

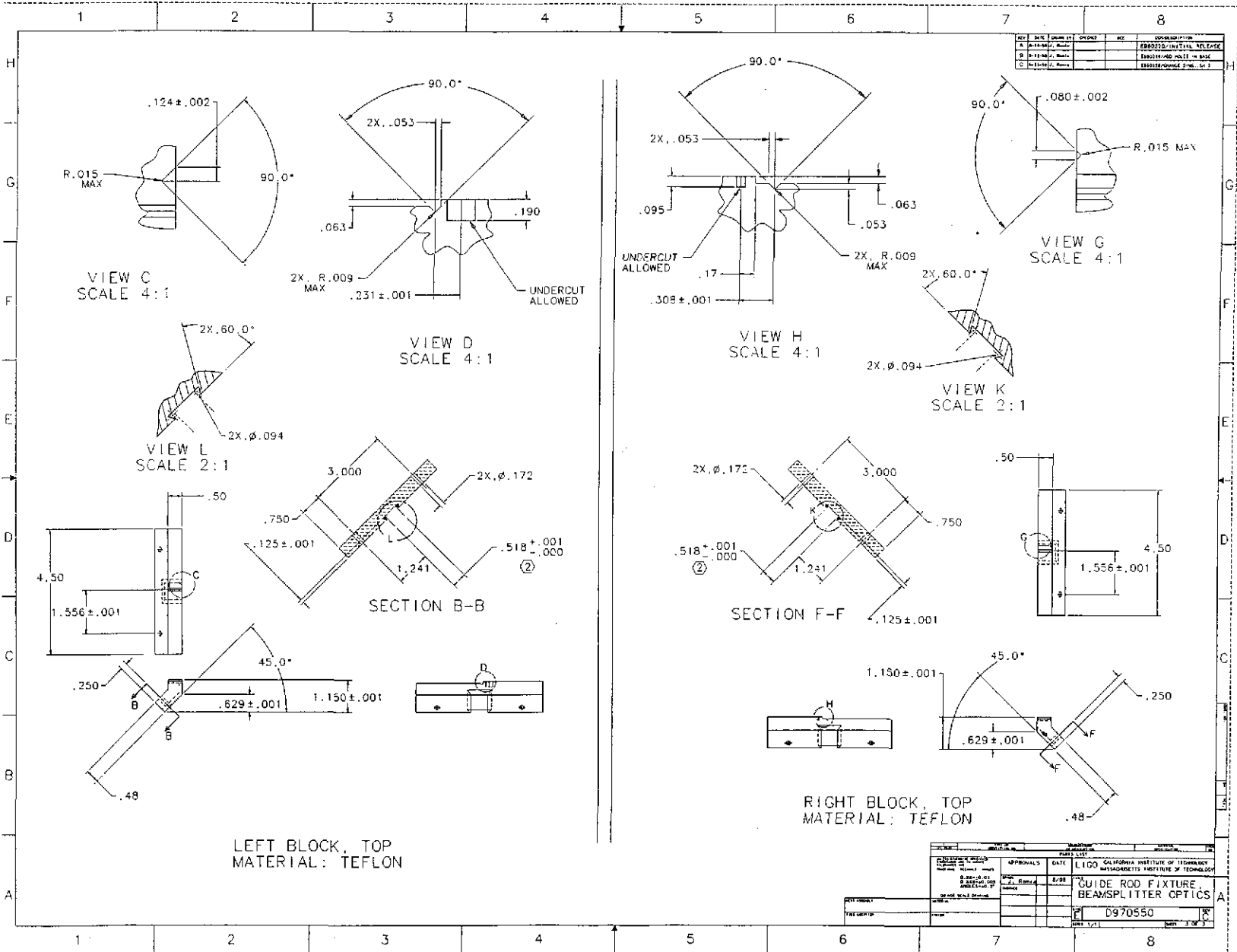
REV	DATE	BY	CHKD	APP	DESCRIPTION
1					WEDGES
2					STAINLESS STEEL
3					
4					
5					
6					
7					
8					
9					
10					
11					

2025 RELEASE UNDER E.O. 14176
 D970550 D970550
 1/20
 APPROVALS DATE LIGO CALIFORNIA INSTITUTE OF TECHNOLOGY
 MASSACHUSETTS INSTITUTE OF TECHNOLOGY
 GUIDE ROD FIXTURE
 BEAMSPLITTER OPTICS
 D970550
 1/20



REV	DATE	BY	CHKD	APP'D	DESCRIPTION
A	11-14-78	J. Jones			END OF DRAWING, RELEASE
B	11-14-78	J. Jones			REVISION TO HOLES IN BEC
C	11-14-78	J. Jones			END OF DRAWING, DIMS, 30 T

APPROVALS		DATE	PROJECT	
DESIGNED BY	J. Jones		LIGO CALIFORNIA INSTITUTE OF TECHNOLOGY	
CHECKED BY	J. Jones		MICHIGAN STATE UNIVERSITY	
DATE	11-14-78		GUIDE ROD FIXTURE, BEAMSPLITTER OPTICS A	
PROJECT			D970550	



REV	DATE	BY	CHKD	APPD	DESCRIPTION
A	10/10/88	J. Smith			ISSUED FOR INITIAL RELEASE
B	11/15/88	J. Smith			ISSUED FOR RELEASE - BASE
C	12/15/88	J. Smith			ISSUED FOR RELEASE - 2ND SET

APPROVALS	DATE	PROJECT
APPROVED BY: J. Smith	8/98	LIGO CALIFORNIA INSTITUTE OF TECHNOLOGY MASSACHUSETTS INSTITUTE OF TECHNOLOGY
DESIGNED BY: J. Smith		GUIDE ROD FIXTURE BEAMSPLITTER OPTICS
DRAWN BY: J. Smith		0970550
CHECKED BY: J. Smith		REV: 1 OF 1