



CALIFORNIA INSTITUTE OF TECHNOLOGY
 MASSACHUSETTS INSTITUTE OF TECHNOLOGY

DCN No. E990327-00-D

SHEET 1 OF 1

DOCUMENT CHANGE NOTICE (DCN)

DOCUMENT No. (DOC-REV-GP. ID)	TITLE	NEW REV.
D990197-00	BEAM DUMP, FLEX SUPPORT, ASSEMBLY	A

CHANGE DESCRIPTION (FROM/TO):

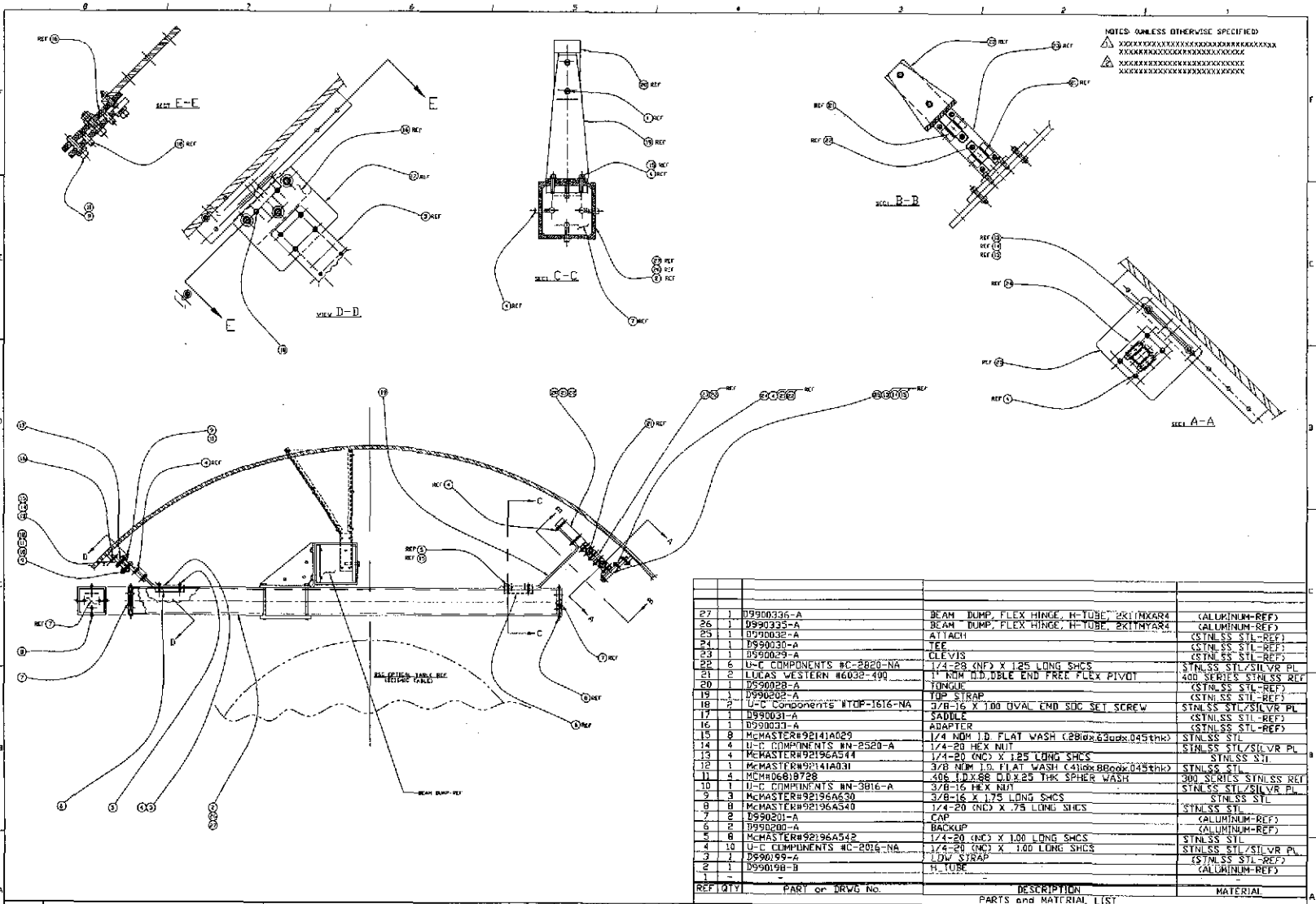
REASON FOR CHANGE: INITIAL RELEASE

ACTION: Incorporate change Attach DCN to drawing(s) Other action (specify):

DISPOSITION OF HARDWARE (IDENTIFY SERIAL NUMBERS)	DCN DISTRIBUTION (X=incl. doc's)
<input type="checkbox"/> No hardware affected (record change only)	Althouse Barish Coles Covne Lazzarini Lindquist Raab Sanders Shoemaker Stapfer Tyler Weiss Whitcomb
<input type="checkbox"/> List S/Ns which comply already:	
<input type="checkbox"/> List S/Ns to be reworked or scrapped:	Camp Smith Conley Mailand Romie
<input checked="" type="checkbox"/> List S/Ns to be built with this change: ALL, 001 & UP	
<input type="checkbox"/> List S/Ns to be retested per this change:	
<input type="checkbox"/>	
<input type="checkbox"/>	
<input type="checkbox"/>	

SAFETY, COST, SCHEDULE, REQUIREMENTS IMPACT? No Yes (If yes, enter CR (CCB) or TCP (TRB) no.)

APPROVALS:	DATE	OTHER APPROVALS (specify)	DATE
ORIGINATOR: P Kabot <i>P Kabot</i>	10/28/99		
TASK LEADER: M. Smith <i>Michael Smith</i>	11/1/99		
GROUP LEADER: D. Coyne <i>D Coyne</i>	10/28/99		
DCC RELEASE: <i>[Signature]</i>	11/2/99		



ELECTRONIC COPY

SYG NO.	DESCRIPTION	REFERENCE DRAWING	USED Dwg 300	DATE	REV	RELEASE DESCRIPTION	ISSUE DESCRIPTION	DRG NUMBER	APPRD	CHECK	DATE	DRG	DATE	ISSUE
7				2										
6				6										
5				6										
4				6										
3				6										
2				6										
1				6										

TO CHANGE: FUNCTIONAL & 1/8" ANGLE & 1/4" ANGLE (A3 & A4) & 3/8" ANGLE (A5 & A6) & 1/2" ANGLE (A7 & A8) & 3/4" ANGLE (A9 & A10) & 1" ANGLE (A11 & A12) & 1 1/4" ANGLE (A13 & A14) & 1 1/2" ANGLE (A15 & A16) & 1 3/4" ANGLE (A17 & A18) & 2" ANGLE (A19 & A20)

MATERIAL: USED Dwg 300
REV: NEW ASY - 299903
DATE: 8-18-99

DESCRIPTION: BEAM DUMP FLEX SUPPORT ASSEMBLY

ISSUE DESCRIPTION: 0990197-A

DATE: 8-18-99



CALIFORNIA INSTITUTE OF TECHNOLOGY
 MASSACHUSETTS INSTITUTE OF TECHNOLOGY

DCN No. E990327-00-D

SHEET 1 OF 1

DOCUMENT CHANGE NOTICE (DCN)

DOCUMENT No. (DOC-REV-GP. ID)	TITLE	NEW REV.
D990197-00	BEAM DUMP, FLEX SUPPORT, ASSEMBLY	A

CHANGE DESCRIPTION (FROM/TO):

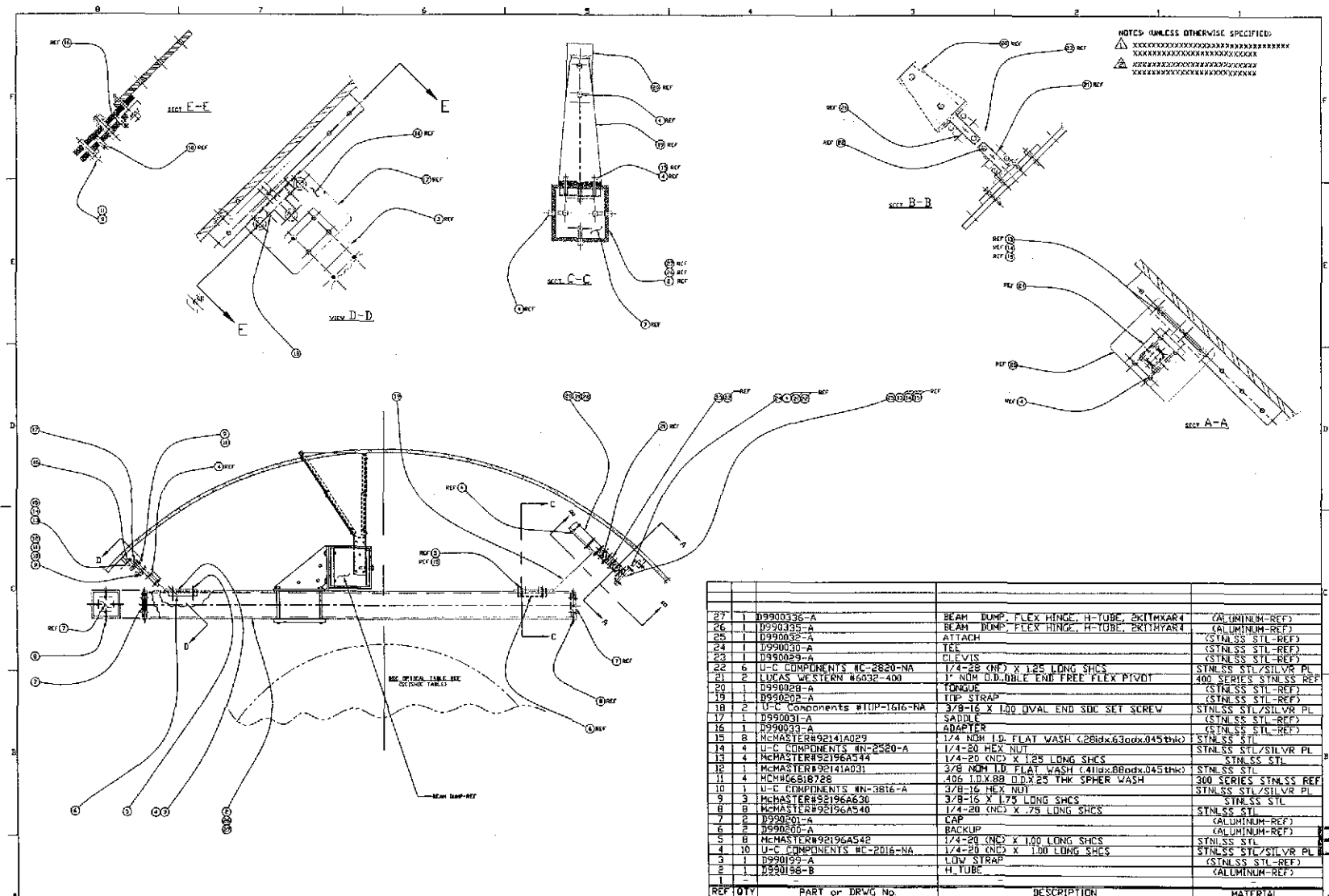
REASON FOR CHANGE: INITIAL RELEASE

ACTION: Incorporate change Attach DCN to drawing(s) Other action (specify):

DISPOSITION OF HARDWARE (IDENTIFY SERIAL NUMBERS)	DCN DISTRIBUTION (X=incl. doc's)
<input type="checkbox"/> No hardware affected (record change only)	Althouse Barish Coles Coyne Lazzarini Lindquist
<input type="checkbox"/> List S/Ns which comply already:	Sanders Shoemaker Tyler Zydlowicz
<input type="checkbox"/> List S/Ns to be reworked or scrapped:	Stapfer Weiss Whitcomb
<input checked="" type="checkbox"/> List S/Ns to be built with this change: ALL, 001 & UP	
<input type="checkbox"/> List S/Ns to be retested per this change:	Camp Smith Conley Mailand Romie

SAFETY, COST, SCHEDULE, REQUIREMENTS IMPACT? No Yes (If yes, enter CR (CCB) or TCP (TRB) no.)

APPROVALS:	DATE	OTHER APPROVALS (specify)	DATE
ORIGINATOR: P Kabot <i>PK</i>	8/19/99		
TASK LEADER: M. Smith <i>Michael Smith</i>	8/19/99		
GROUP LEADER: D. Coyne <i>D. Coyne</i>	8/31/99		
DCC RELEASE: <i>Summer</i>	9/7/99		



NOTES (UNLESS OTHERWISE SPECIFIED):
 XXXXXXXXXXXXXXXXXXXXXXXXXXXXXXXXXX
 XXXXXXXXXXXXXXXXXXXXXXXXXXXXXXXXXX
 XXXXXXXXXXXXXXXXXXXXXXXXXXXXXXXXXX

QTY	PART OR DRWG NO	DESCRIPTION	MATERIAL
27	D9900336-A	BEAM DUMP FLEX HINGE, H-TUBE, 2KITMKA4	ALUMINUM-REF
26	D9900335-A	BEAM DUMP FLEX HINGE, H-TUBE, 2KITMKA4	ALUMINUM-REF
25	D9900332-A	ATTACH	STAINLESS STL-REF
24	D990030-A	TEE	STAINLESS STL-REF
23	D990029-A	CLEVIS	STAINLESS STL-REF
22	U-C COMPONENTS #C-2820-NA	1/4-28 (UNC) X 1.25 LONG SHCS	STAINLESS STL/SILVER PL
21	LUCAS WESTERN #G03P-400	1" NOM O.D. DOUBLE END FREE FLEX PIVOT	400 SERIES STAINLESS REF
20	D990028-A	TORQUE	STAINLESS STL-REF
19	D990025-A	TOP STRAP	STAINLESS STL-REF
18	U-C COMPONENTS #IUP-1616-NA	3/8-16 X 1.00 OVAL END SDC SET SCREW	STAINLESS STL/SILVER PL
17	D990031-A	SADDLE	STAINLESS STL-REF
16	D990033-A	ADAPTER	STAINLESS STL-REF
15	MCMASTER#92141A029	1/4 NOM I.D. FLAT WASH (28IDx.63ODx.045THK)	STAINLESS STL
14	U-C COMPONENTS #M-2520-A	1/4-20 HEX NUT	STAINLESS STL/SILVER PL
13	MCMASTER#92196A544	1/4-20 (UNC) X 1.25 LONG SHCS	STAINLESS STL
12	MCMASTER#92141A031	3/8 NOM I.D. FLAT WASH (41IDx.88ODx.045THK)	STAINLESS STL
11	MCM#6818726	406 I.D.X.88 O.D.X.25 THK SPHER WASH	300 SERIES STAINLESS REF
10	U-C COMPONENTS #N-3816-A	3/8-16 HEX NUT	STAINLESS STL
9	MCMASTER#92196A630	3/8-16 X 1.75 LONG SHCS	STAINLESS STL
8	MCMASTER#92196A540	1/4-20 (UNC) X .75 LONG SHCS	STAINLESS STL
7	D990001-A	CAP	ALUMINUM-REF
6	D990006-A	BACKUP	ALUMINUM-REF
5	MCMASTER#92196A54P	1/4-20 (UNC) X 1.00 LONG SHCS	STAINLESS STL
4	U-C COMPONENTS #L-2016-NA	1/4-20 (UNC) X 1.00 LONG SHCS	STAINLESS STL/SILVER PL
3	D990199-A	LOW STRAP	STAINLESS STL-REF
2	D990198-B	H-TUBE	ALUMINUM-REF

TOLERANCES			UNLESS OTHERWISE SPECIFIED		
DIMENSIONS ARE IN INCHES (mm)					
FRACTIONAL, 1/64			THREE PLACE DECIMAL, 0.005		
ANGULAR, 1/32			FINISHED SURFACE SDC		
HOLE LOCATIONS, 1/32			BEAM COPIES, 200 - 010		
TWO PLACE DECIMAL, 0.01			REMOVE ALL BURR		
DATE	DESCRIPTION	MATERIAL	HEAT TREAT	FINISH	RELEASE
ISS. NO.	REV	DESCRIPTION	ISS. NO.	REV	DESCRIPTION

ELECTRONIC COPY

1000 EXPLODED VIEW OF Assembly
 DATE: 08-18-99

BEAM DUMP
 FLEX SUPPORT
 ASSEMBLY

REV E 0990197-A
 SHEET 1 OF 1