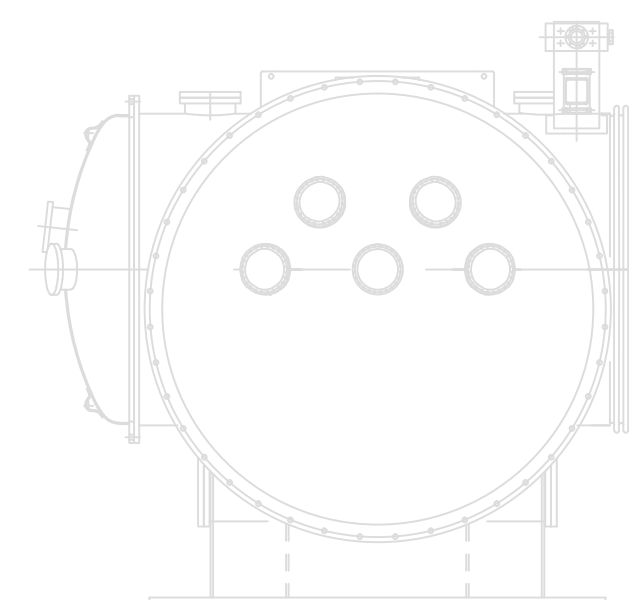
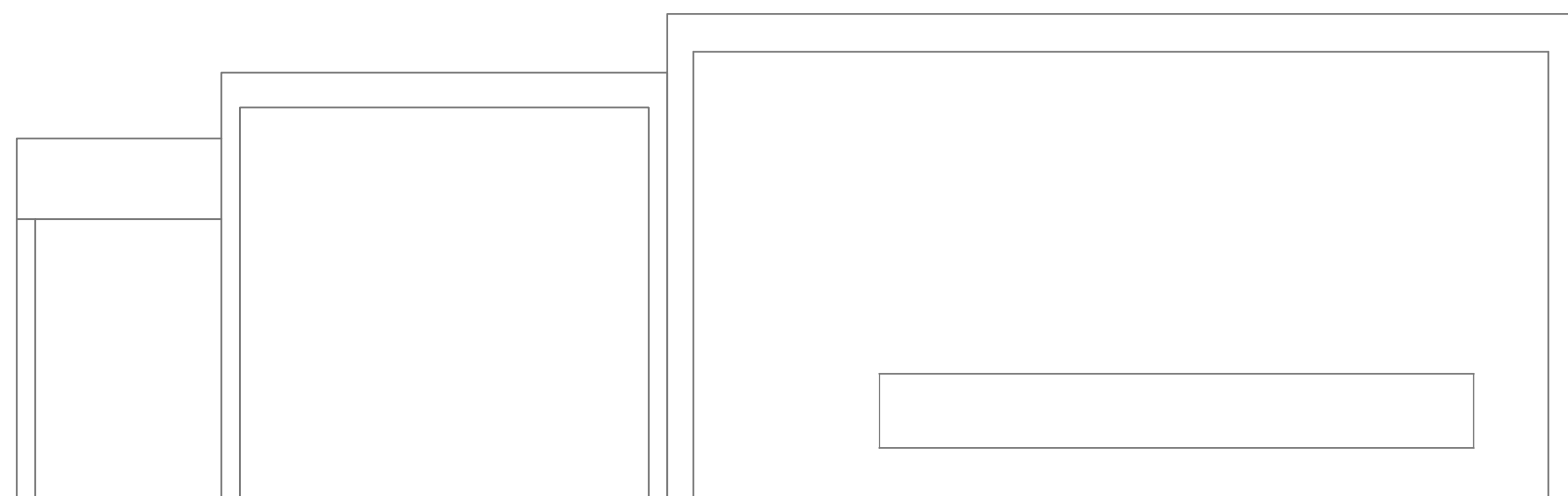


Notes:

1. Tapped holes sit on 8" diameter circle (shown as dotted circle). Dimensions relating to tapped holes are given from the center of this circle
2. A septum plate $1\frac{3}{8}$ " thick will be set between HAMs 1 and 2 for aLIGO

Plan North



L1 PSL table location
Michael Rodruck
D1003076-v6