



CALIFORNIA INSTITUTE OF TECHNOLOGY
 MASSACHUSETTS INSTITUTE OF TECHNOLOGY

DCN No. E990440-00-D

SHEET 1 OF 1

DOCUMENT CHANGE NOTICE (DCN)

DOCUMENT No. (DOC-REV-GP. ID)	TITLE	NEW REV.
D990479-A-D	PAM Bracket, Aluminum	B

CHANGE DESCRIPTION (FROM/TO): Add geometric dimensioning and tolerancing. Add note #3 about machining fluids.

REASON FOR CHANGE: update for remachining. Schober's delivered parts with #4-40 thread instead of required #5-40.

ACTION: Incorporate change Attach DCN to drawing(s) Other action (specify):

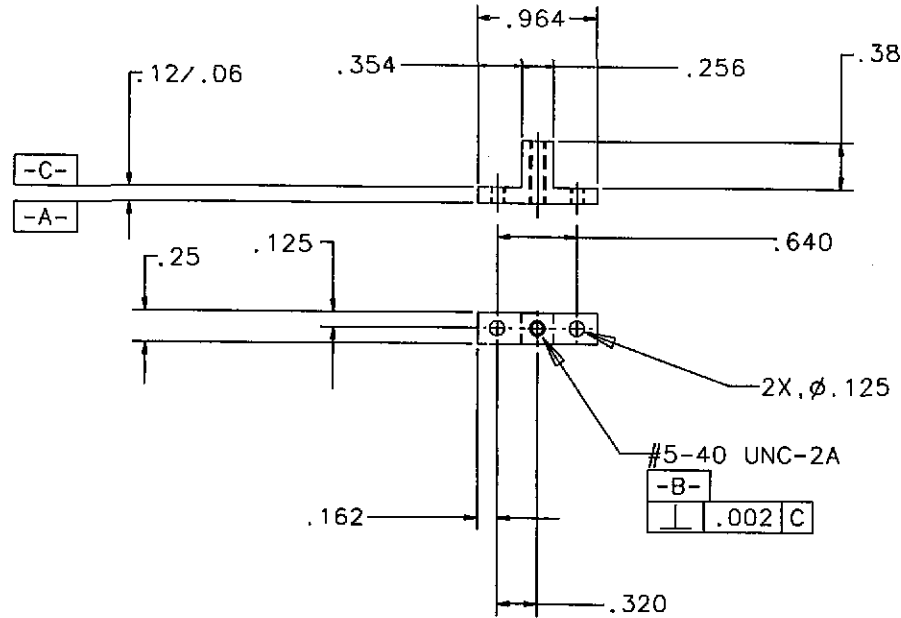
DISPOSITION OF HARDWARE (IDENTIFY SERIAL NUMBERS)	DCN DISTRIBUTION (X=incl. docs)
<input type="checkbox"/> No hardware affected (record change only)	Althouse Barish Coles
<input type="checkbox"/> List S/Ns which comply already:	X Coyne Lazzarini Lindquist
<input checked="" type="checkbox"/> List S/Ns to be reworked or scrapped: All Schober parts to be reworked, a/r.	Raab Sanders Shoemaker
<input type="checkbox"/> List S/Ns to be built with this change:	Stapfer Tyler Weiss
<input type="checkbox"/> List S/Ns to be retested per this change:	Whitcomb Scislowicz
<input type="checkbox"/>	Bork Zucker
<input type="checkbox"/>	Barton Mason
<input type="checkbox"/>	Camp Jones
<input type="checkbox"/>	Fine
<input type="checkbox"/>	X Romie

SAFETY, COST, SCHEDULE, REQUIREMENTS IMPACT? No Yes (If yes, enter Change Request number)

APPROVALS:	DATE	OTHER APPROVALS (specify)	DATE
ORIGINATOR: J. Romie	12-7-99		
TASK LEADER: J. Romie	12-7-99		
GROUP LEADER: <i>D. Coyne</i>	<i>12/10/99</i>		
DCC RELEASE: <i>Linda P. ...</i>	<i>12-17-99</i>		

- NOTES: (UNLESS OTHERWISE SPECIFIED)
 1. REMOVE ALL SHARP EDGES.
 2. MATERIAL: 6061-T6 ALUMINUM.
 3. CUTTING FLUIDS TO BE WATER SOLUABLE AND FREE OF SULFUR, CHLORINE AND SILICONE.

REV	DATE	DRAWN BY	CHECKED	DEC	DCN/DESCRIPTION
A	12-6-99	J. Romie			E990438/INITIAL RELEASE
B	12-7-99	J. Romie			E990440/ADD GD&T



QTY REQD	PSGN NO	PART OR IDENTIFYING NO	NOMENCLATURE OR DESCRIPTION	MATERIAL SPECIFICATION	ITEM NO
PARTS LIST					
UNLESS OTHERWISE SPECIFIED DIMENSIONS ARE IN INCHES FRACTIONS DECIMALS			APPROVALS	DATE	TITLE
0.XX=±0.01 0.XXX=±0.005 ANGLES=±0.5° DO NOT SCALE DRAWING			DRAWN J. Romie	7/99	LIGO CALIFORNIA INSTITUTE OF TECHNOLOGY MASSACHUSETTS INSTITUTE OF TECHNOLOGY
MATERIAL SEE NOTES			CHECKED		PAM BRACKET, ALUMINUM
NEXT ASSEMBLY D960138, D960011					DCN NO. D990479
FILE LOCATION /home/gcc/gccs/D990479.pdf					REV B
				SCALE 1/1	SHEET 1 OF 1