

INITIATOR BW

DATE 1-13-99

**ENGINEERING CHANGE REQUEST (ECR)**

NEXT ASSEMBLY NO. \_\_\_\_\_

CUSTOMER DRAWING NO. D 972397

DRAWING TITLE BSC BELLOWS REMOVAL JIB CRANE ASSY

REVISION: FROM A TO B



**HYTEC**  
INCORPORATED

**DESCRIPTION OF CHANGE (Simple Phrase. Identify Items if Possible):**

- ① ZONE 7C REMOVE COTTER PIN CALL OUT ② SHORTEN
- ITEM 5 ③ SUBSTITUTE  $\frac{3}{16} \times \frac{1}{2}$  LG. COTTER PINS FOR 2 OF ITEM 6
- ④ ADD GUSSET PER D972472 ECR ⑤ ZONE 5C DELETE BOSS.

**REASONS FOR CHANGE:**

CUSTOMER REQUEST & STRENGTHEN MOUNTING PLATE

**IDENTIFY OTHER PARTS/GROUPS THAT INTERFACE WITH THE ABOVE (Required):**

| INTERFACE | RESPONSIBLE PARTY | INITIAL |
|-----------|-------------------|---------|
|           |                   |         |
|           |                   |         |
|           |                   |         |
|           |                   |         |
|           |                   |         |
|           |                   |         |
|           |                   |         |
|           |                   |         |

NOTIFY COGNIZANT DESIGNER: BILL K

NOTIFY COGNIZANT ENGINEER: TZ

APPROVED: [Signature]

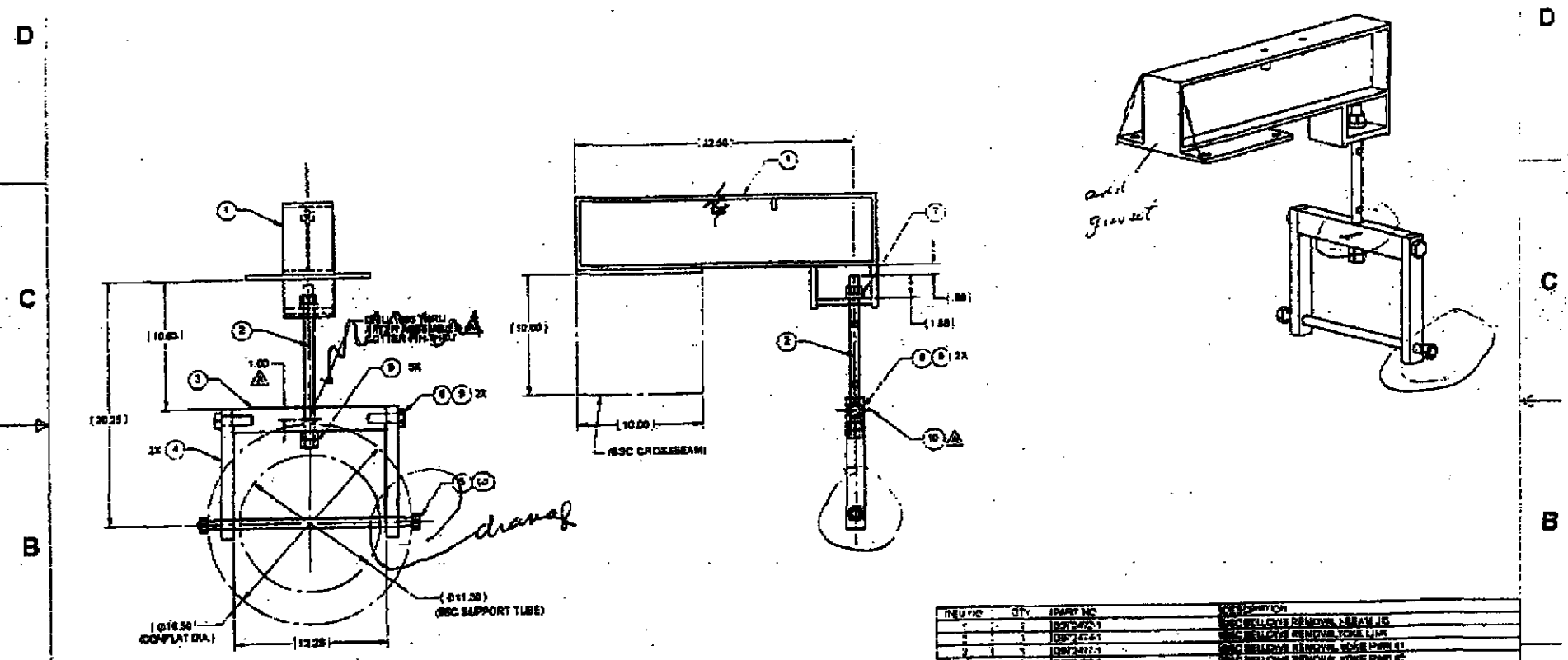
972397

1 of 2

972397  
2 of 2

B 7 6 5 4 3 2 1

HYTEC CORPORATION



NOTES: UNLESS OTHERWISE SPECIFIED

- ALL DIMENSIONS IN INCHES
- DIMENSIONS AND TOLERANCING PER ASME Y14.5M-1994
- SURFACE TEXTURE PER ANSI B 46.1-1995
- REMOVE ALL BURRS AND BREAK SHARP EDGES TO A MAXIMUM OF .015
- ALL HOLES UNLESS OTHERWISE SPECIFIED ARE TO BE DRILLED TO FULL DEPTH
- USE THE APPROPRIATE TAP AND DIE TO MAKE ALL TAPPED HOLES
- COMPLY WITH ALL FEDERAL, STATE AND LOCAL REGULATIONS
- ALL HOLES UNLESS OTHERWISE SPECIFIED ARE TO BE DRILLED TO FULL DEPTH
- PARTS TO BE THOROUGHLY CLEANED TO REMOVE ALL OIL, GREASE, DIRT, AND
- SWISS
- PART NUMBER (DRAWING NO., PLUS DASH NO., PLUS SERIAL NO.) TO BE CLEARLY
- MARKE ON THE PART ITSELF.
- PART WEIGHTS 25.3 LBS.

| REV | DATE | BY | DESCRIPTION                                      |
|-----|------|----|--|
| 1   |      |    | ISSUE FOR BSC BELLOWS REMOVAL JIB CRANE ASSEMBLY |
| 2   |      |    | BSC BELLOWS REMOVAL JIB CRANE ASSEMBLY           |
| 3   |      |    | BSC BELLOWS REMOVAL JIB CRANE ASSEMBLY           |
| 4   |      |    | BSC BELLOWS REMOVAL JIB CRANE ASSEMBLY           |
| 5   |      |    | BSC BELLOWS REMOVAL JIB CRANE ASSEMBLY           |
| 6   |      |    | BSC BELLOWS REMOVAL JIB CRANE ASSEMBLY           |
| 7   |      |    | BSC BELLOWS REMOVAL JIB CRANE ASSEMBLY           |
| 8   |      |    | BSC BELLOWS REMOVAL JIB CRANE ASSEMBLY           |
| 9   |      |    | BSC BELLOWS REMOVAL JIB CRANE ASSEMBLY           |
| 10  |      |    | BSC BELLOWS REMOVAL JIB CRANE ASSEMBLY           |
| 11  |      |    | BSC BELLOWS REMOVAL JIB CRANE ASSEMBLY           |
| 12  |      |    | BSC BELLOWS REMOVAL JIB CRANE ASSEMBLY           |
| 13  |      |    | BSC BELLOWS REMOVAL JIB CRANE ASSEMBLY           |
| 14  |      |    | BSC BELLOWS REMOVAL JIB CRANE ASSEMBLY           |
| 15  |      |    | BSC BELLOWS REMOVAL JIB CRANE ASSEMBLY           |
| 16  |      |    | BSC BELLOWS REMOVAL JIB CRANE ASSEMBLY           |
| 17  |      |    | BSC BELLOWS REMOVAL JIB CRANE ASSEMBLY           |
| 18  |      |    | BSC BELLOWS REMOVAL JIB CRANE ASSEMBLY           |
| 19  |      |    | BSC BELLOWS REMOVAL JIB CRANE ASSEMBLY           |
| 20  |      |    | BSC BELLOWS REMOVAL JIB CRANE ASSEMBLY           |

|  |          |
|--|----------|
| HYTEC, INC                             |          |
| BSC BELLOWS REMOVAL JIB CRANE ASSEMBLY |          |
| D972397-1                              | D 1 of 1 |