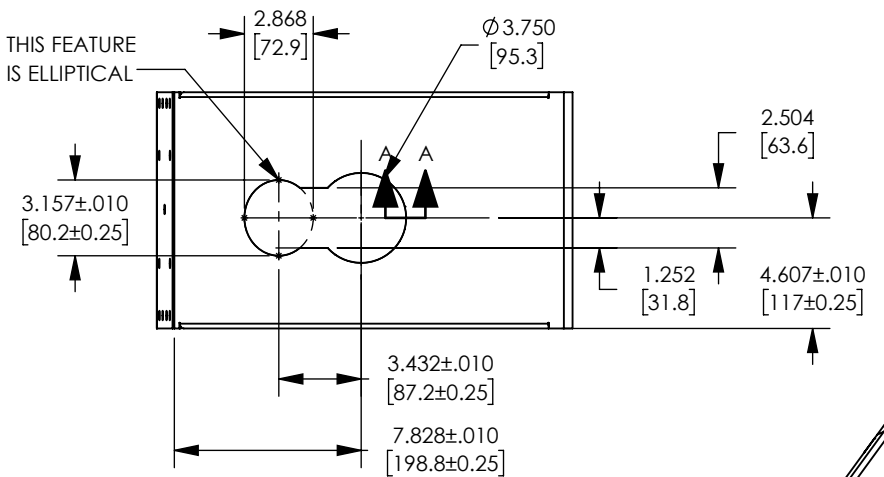
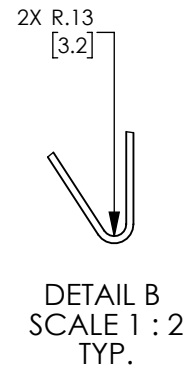
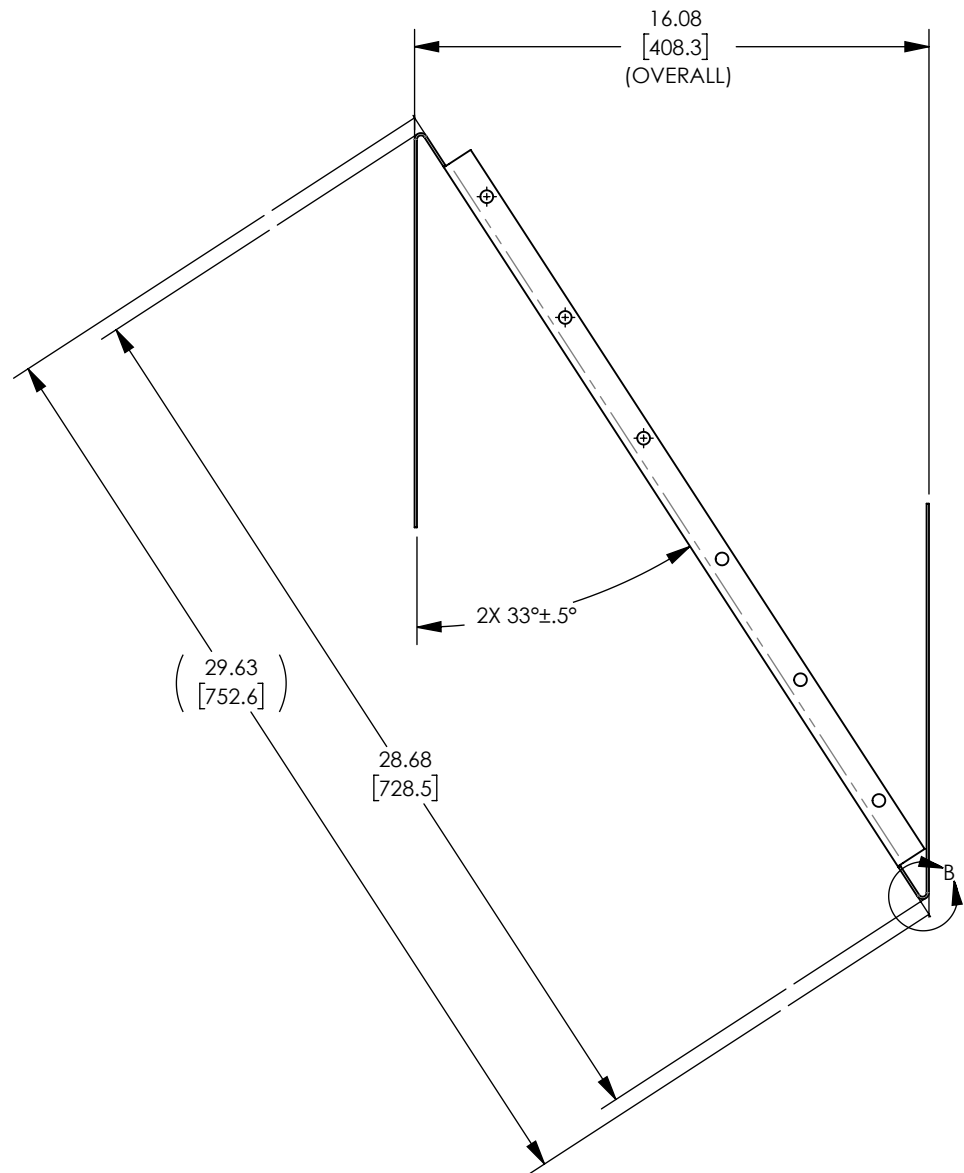
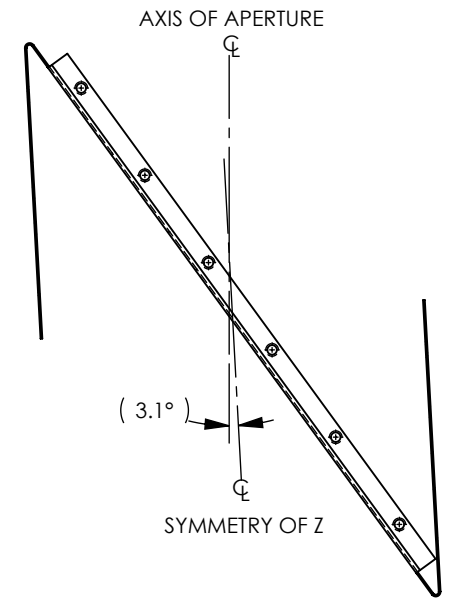


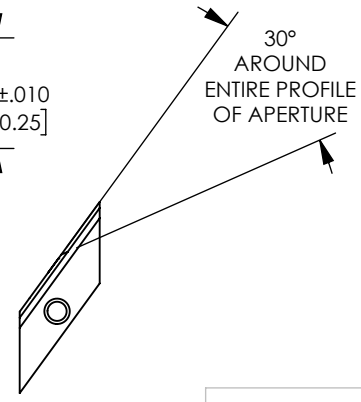
D1003301_AdlIGO_AOS_SR2 Scraper Baffle Skin, PART PDM REV: X-065, DRAWING PDM REV: X-045

- NOTES CONTINUED:**
- 5. SCRIBE, ENGRAVE (A VIBRATORY TOOL MAY BE USED), LASER MARK (NO INKS OR DYES) DRAWING PART NUMBER, REVISION (AND VARIANT OR "TYPE" IF APPLICABLE) ON NOTED SURFACE OF PART FOLLOWED ON THE NEXT LINE WITH A THREE DIGIT SERIAL NUMBER. SERIAL NUMBERS START AT 001 FOR THE FIRST ARTICLE AND PROCEED CONSECUTIVELY. USE MINIMUM 0.12" HIGH CHARACTERS, UNLESS THE SIZE OF THE PART DICTATES SMALLER CHARACTERS. EXAMPLE: DXXXXXX-VY, TYPE-XX, S/N XXX **(DO NOT APPLY MARK ON SUPER #8 SIDE)**
 - 6. APPROXIMATE WEIGHT = 5.3 LB.
 - 7. ALL PARTS SHALL BE MANUFACTURED IN ACCORDANCE WITH [LIGO SPECIFICATION E0900364](#)
 - 8. ALL MATERIAL IS TO BE VIRGIN MATERIAL (i.e. NO WELD REPAIRS, PLUGS OR RECYCLED MATERIAL). NO REPAIRS SHALL BE MADE UNLESS APPROVED IN ADVANCE, AND IN WRITING, BY LIGO LABORATORY PER [LIGO SPECIFICATION E0900364](#)
 - 9. SURFACE FINISH TO BE AS-PROCESSED FROM MILL/SUPPLIER, FREE FROM SCRATCHES OR GOUGES.
 - 10. FINISH: DLC COAT PER LIGO SPECIFICATION E1600327.
 - 11. MATERIAL SUPER #8 NON-DIRECTIONAL 304 SSSL.

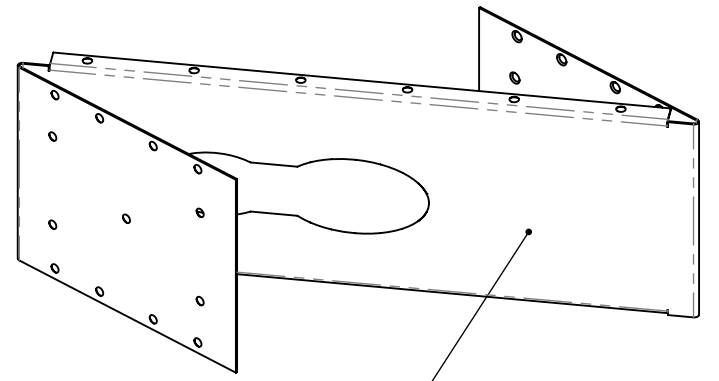
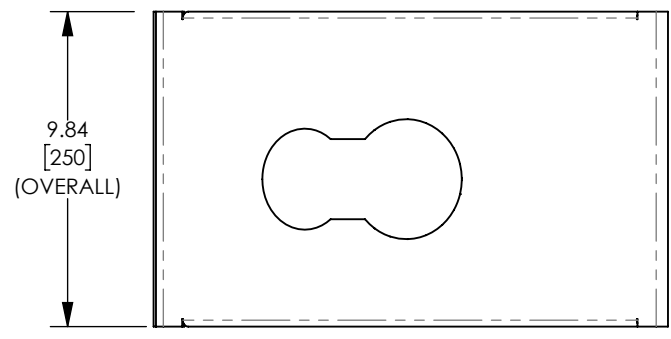
REV.	DATE	DCN #	DRAWING TREE #
v2	18 DEC 2010	E1000865	-
v8	17 NOV 2017	E1700394-x0	-
v9	06 DEC 2017	E1700407-x0	-



FACE-ON VIEW OF APERTURE



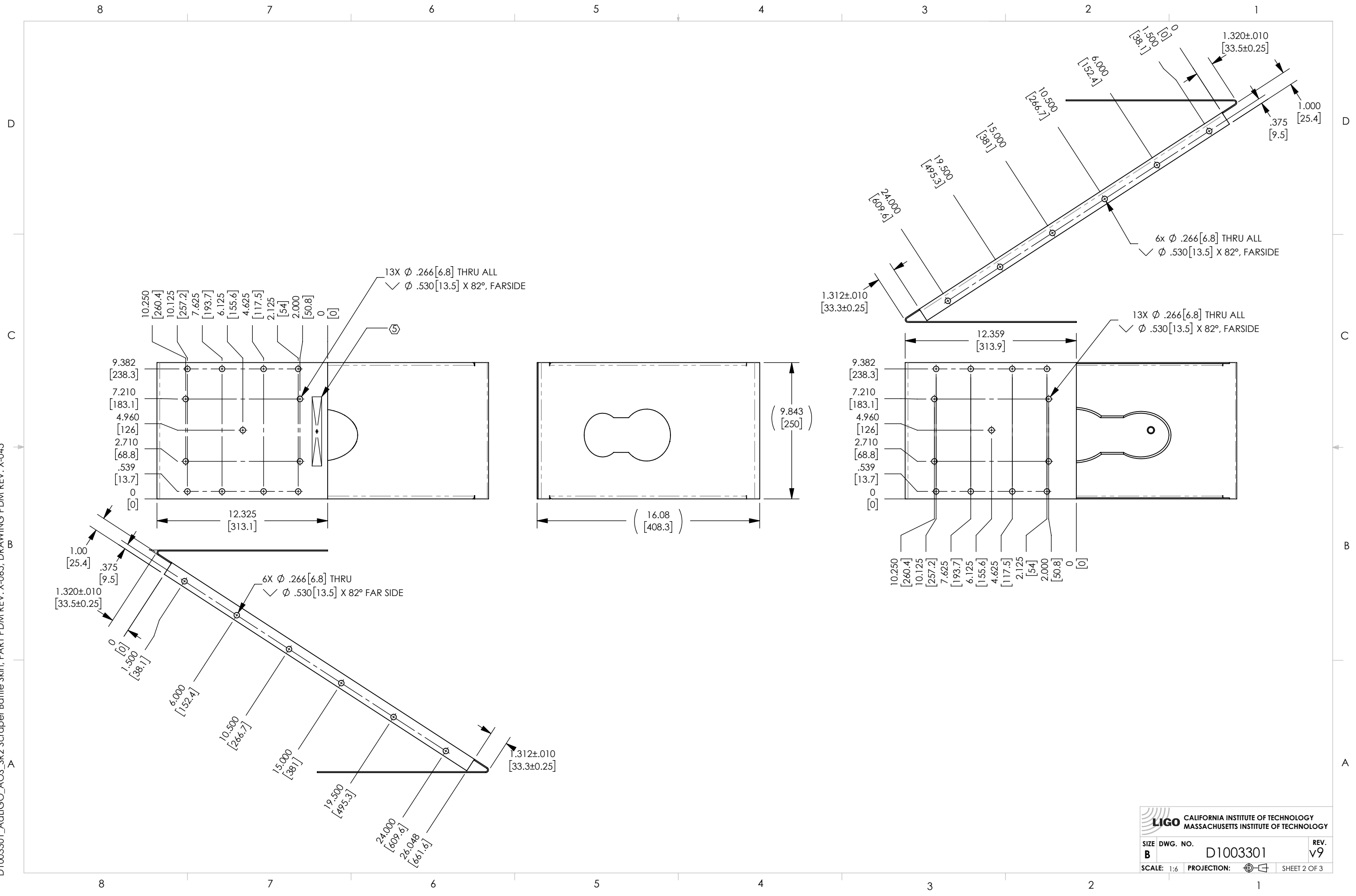
SECTION A-A
SCALE 1:4



ISOMETRIC VIEW
SCALE 1:8

NOTES AND TOLERANCES: (UNLESS OTHERWISE SPECIFIED)				PART NAME	
DIMENSIONS ARE IN INCHES TOLERANCES: .XX ± .03 .XXX ± .005 ANGULAR ± 1.0°				SR2 Scraper Baffle Skin	
1. INTERPRET DRAWING PER ASME Y14.5-1994. 2. REMOVE ALL SHARP EDGES AND BURRS AND ROUND EDGES APPROXIMATELY R.02. 3. DO NOT SCALE FROM DRAWING. 4. ALL MACHINING FLUIDS MUST BE FULLY SYNTHETIC, FULLY WATER SOLUBLE AND FREE OF SULFUR, SILICONE AND CHLORINE PER LIGO DOCUMENT E0900237.				ADVANCED LIGO	
MATERIAL 14 GA, 304 SSSL 11		FINISH 10		DESIGNER M. RUIZ 06 DEC 2010	
NEXT ASSY D1003300		SUB-SYSTEM AOS		DRAFTER M. RUIZ 16 NOV 2011	
				CHECKER M. SMITH 17 MAY 2012	
				APPROVAL M. SMITH 17 MAY 2012	
				SIZE DWG. NO. B D1003301	
				REV. v9	
				SCALE: 1:6 PROJECTION: SHEET 1 OF 3	

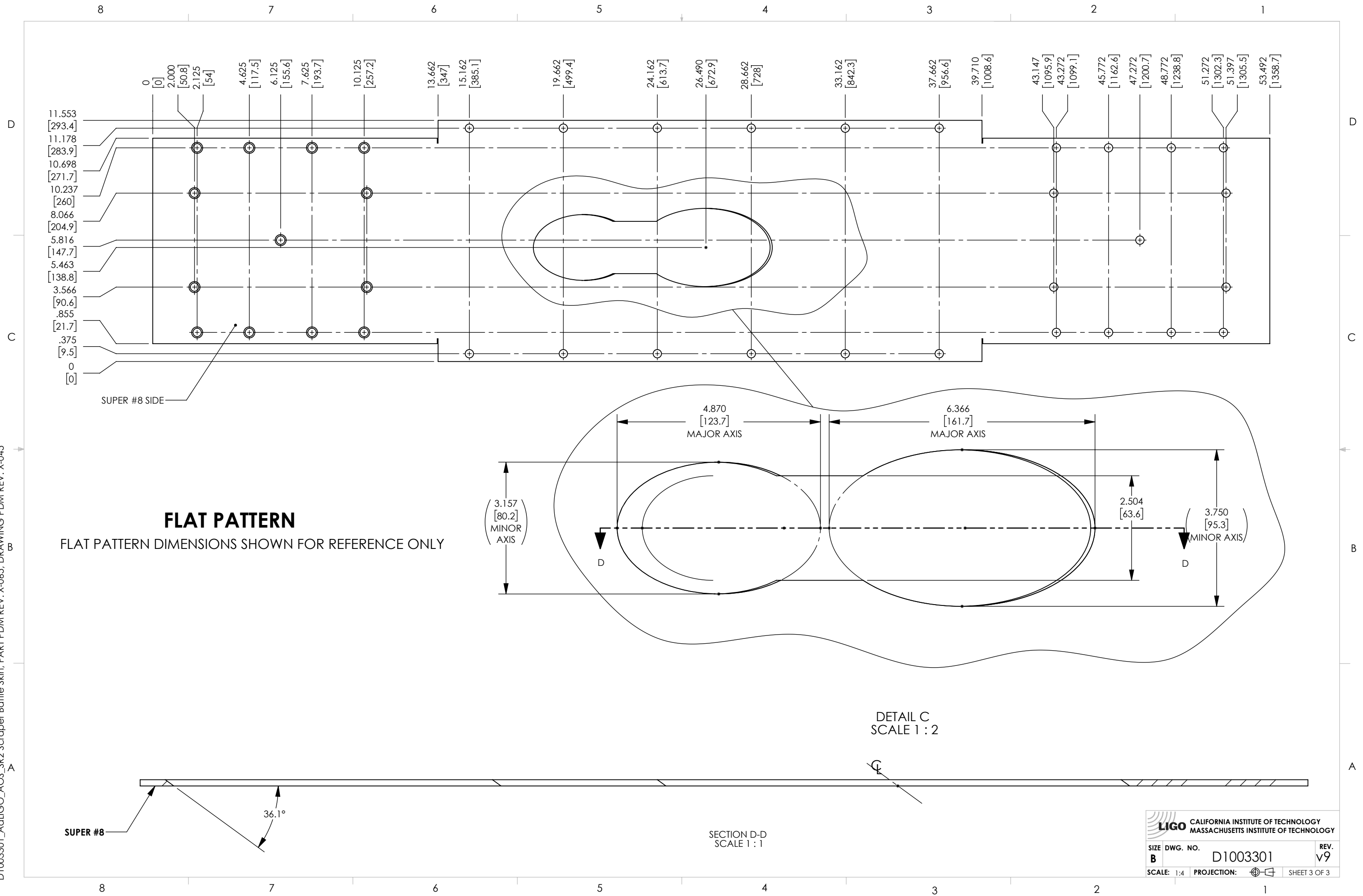
D1003301_AcLIGO_AOS_SR2 Scraper Baffle Skin, PART PDM REV: X-065, DRAWING PDM REV: X-045



LIGO CALIFORNIA INSTITUTE OF TECHNOLOGY
MASSACHUSETTS INSTITUTE OF TECHNOLOGY

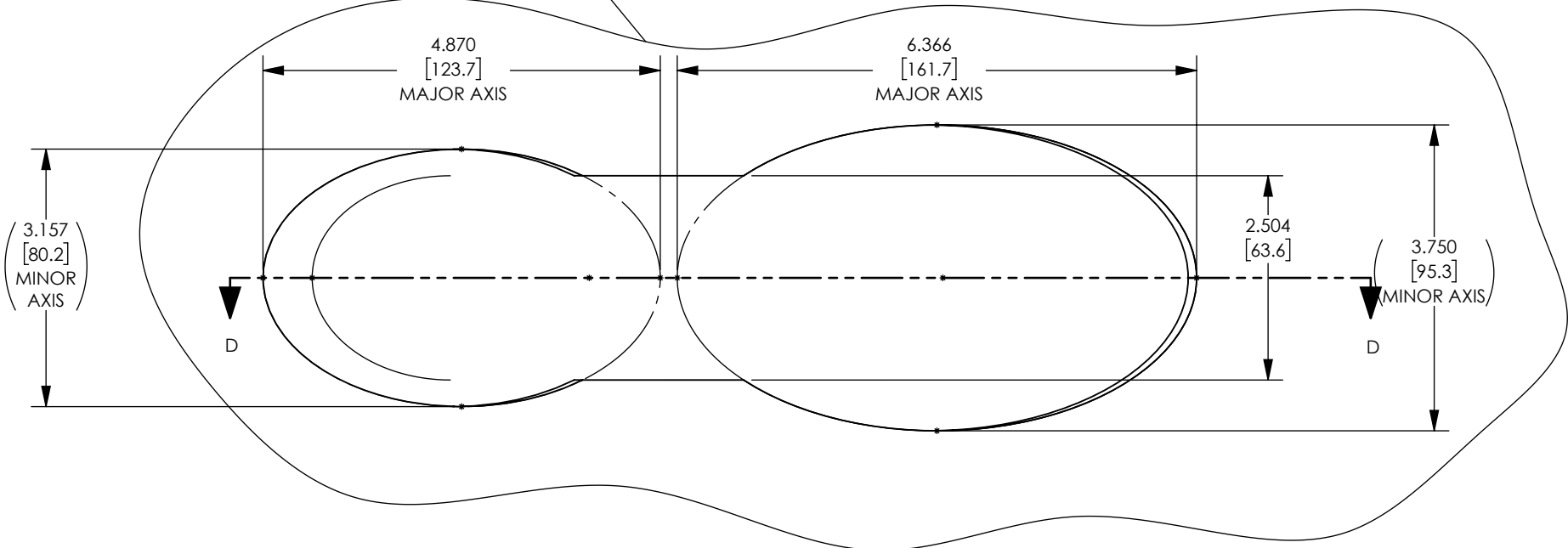
SIZE	DWG. NO.	REV.
B	D1003301	v9
SCALE: 1:6	PROJECTION:	SHEET 2 OF 3

D1003301_AcLIGO_AOS_SR2 Scraper Baffle Skin, PART PDM REV: X-065, DRAWING PDM REV: X-045

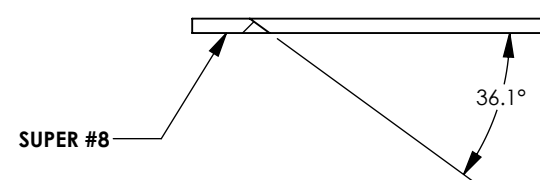


FLAT PATTERN

FLAT PATTERN DIMENSIONS SHOWN FOR REFERENCE ONLY



DETAIL C
SCALE 1 : 2



SECTION D-D
SCALE 1 : 1

LIGO CALIFORNIA INSTITUTE OF TECHNOLOGY MASSACHUSETTS INSTITUTE OF TECHNOLOGY	
SIZE DWG. NO. B	D1003301
SCALE: 1:4	PROJECTION:
REV. v9	SHEET 3 OF 3