

New Folder Name Interface with Beam
Tube Installation T950002

Contract PP150969
 Control No. 950214-1

February 14, 1995

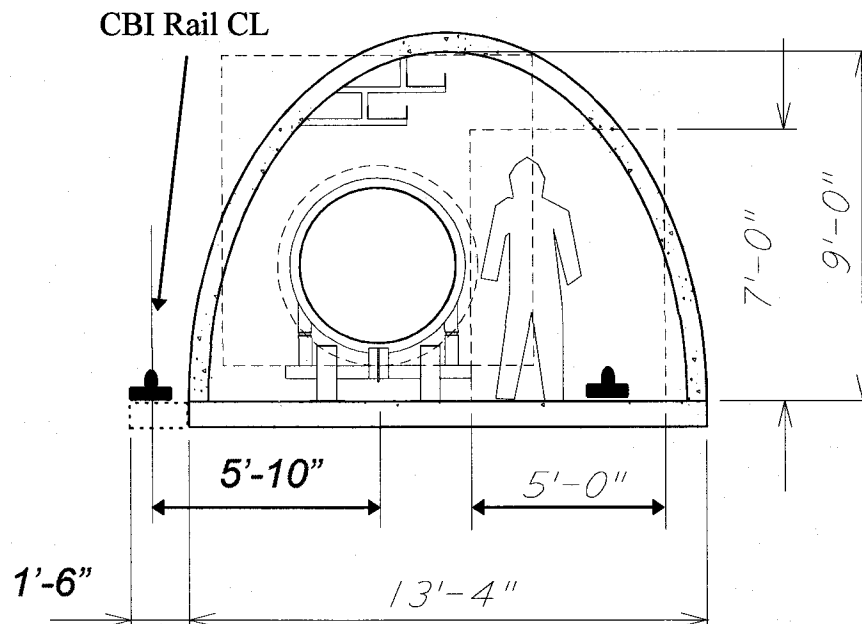
Mr. Fred Asiri
 Technical Representative
 Caltech -- LIGO Project
 East Bridge Lab
 Mail Stop 102-33
 Pasadena, CA 91125Contract

Subject: Interface with Beam Tube Installation

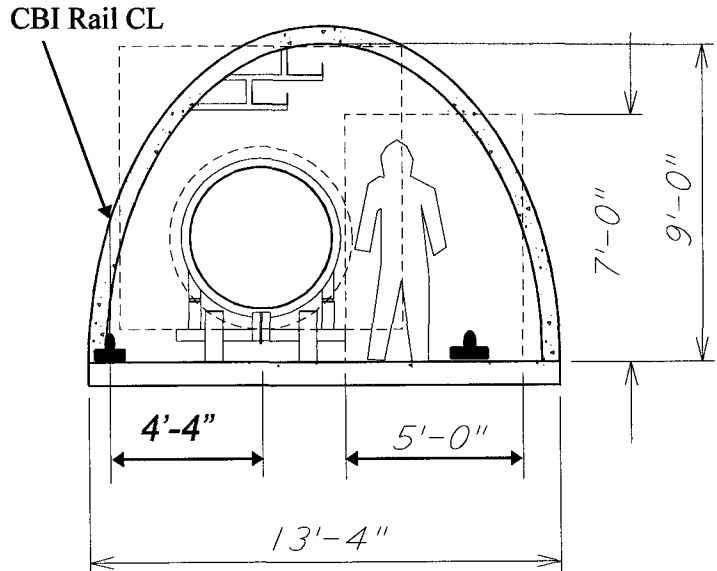
Dear Fred,

We are about to issue a concept review package of the Beam Tube Enclosure and need to interface with CBI to ensure our approach will also satisfy their needs during installation of the beam tubes. The following sketch shows 13'-4" wide slab foundation for the beam tube foundation. This has been down sized from the 16'-6" that they have probably been designing to. Given the fact that for the two sites, this slab is about 16 kilometers long, you can understand that this change has a significant cost savings impact.

1. We are interested in whether this approach has an impact on their rail mounted clean room, weld station shelter, or leak test shelter. Base on the sketches that we have seen of their approach, the center to center track gauge is 11'-8", and the beam tube is centered between the rails. Based on our current approach, and assuming that they intend to place their rails on our slab, we will need to extend the left side of our slab approximately 1.5 feet to accommodate the left side rail.



2. Another alternative is to move their rail so it will sit on the slab as shown. This appears to be a workable alternative since it will not affect the arrangement of their 8'-0" wide clean room trailer, but it may impact the weld station and test station shelters. Currently the distance from the centerline of the beam tube to the left edge of the slab is 4'-10". If their rail is moved 6" inboard of that, it would then be 4'-4" from the centerline of the beam tube (the right side rail can remain at 5'-10"). Will this work?



3. We are also interested in their alignment/leveling method. If they are attaching a laser scale site, then we need to know where it is attached, and what it looks like.
4. Lastly, does the cross section shown allow sufficient working space for adjustment of the support leveling features that they have designed?

Thank you for your assistance in coordinating this interface.

Very truly yours,

Jeff Hermann
System Engineering Manager

JH/jh

cc: Administration File

Tyler Jackson

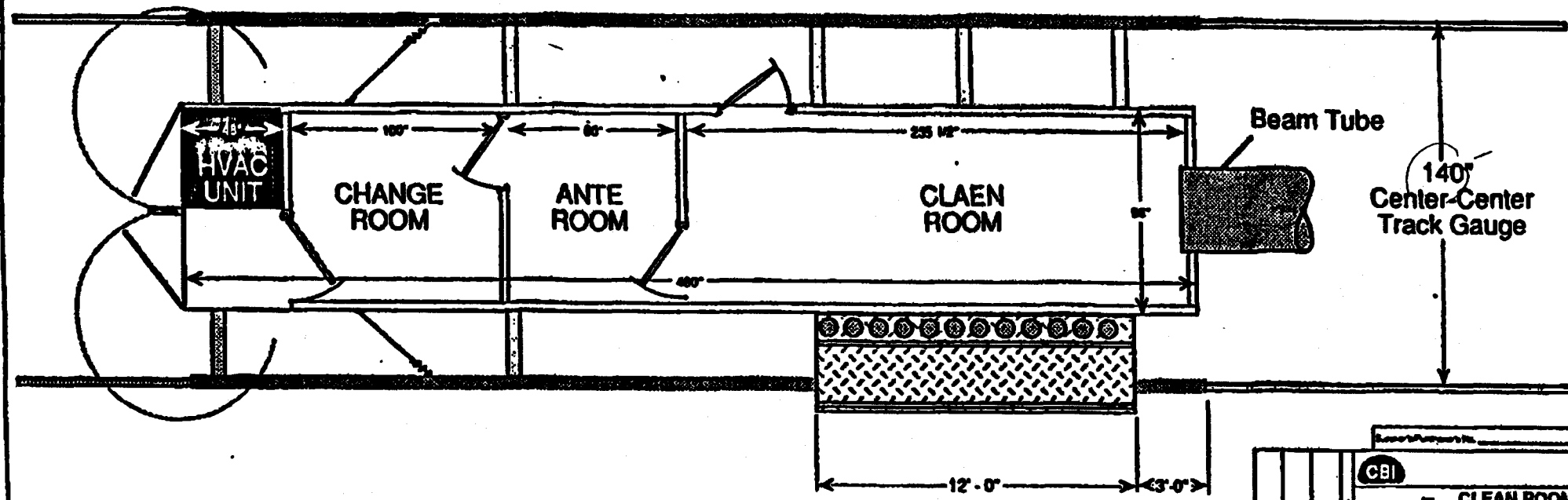
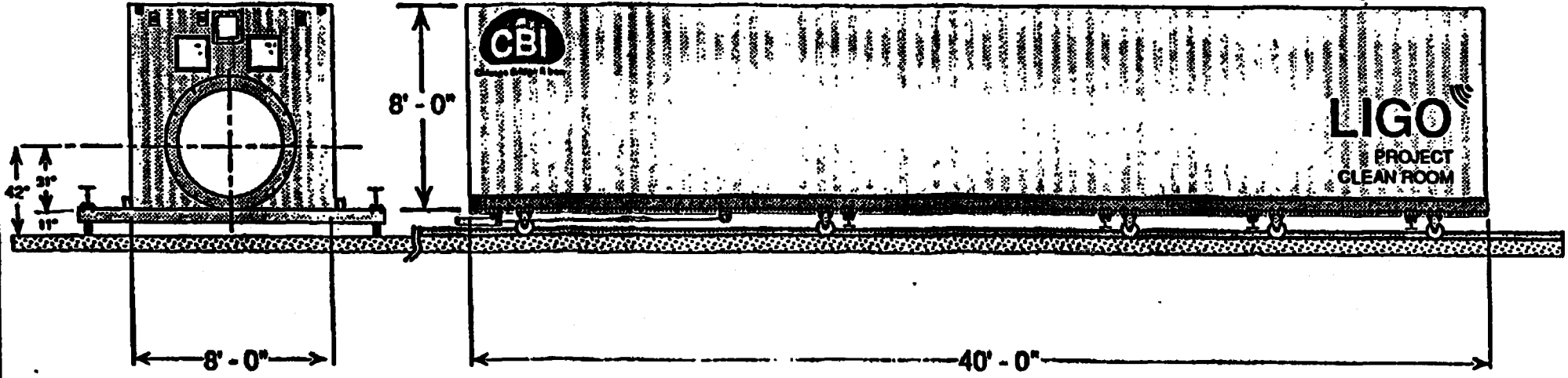
Alex Krill

l:\common\crspndnc\letters\

Tim Melott

John Blasius

Attachment: CBI -- Clean Room General Views and Dimensions



CBI

LIGO CLEAN ROOM GENERAL Views and Dimensions

Scale: _____

Author: _____

Check: _____

Date: _____

Project No: _____

Sheet No: _____

Revised: _____

Notes: _____

INDICATES CHANGE FROM PREVIOUS EDITION

