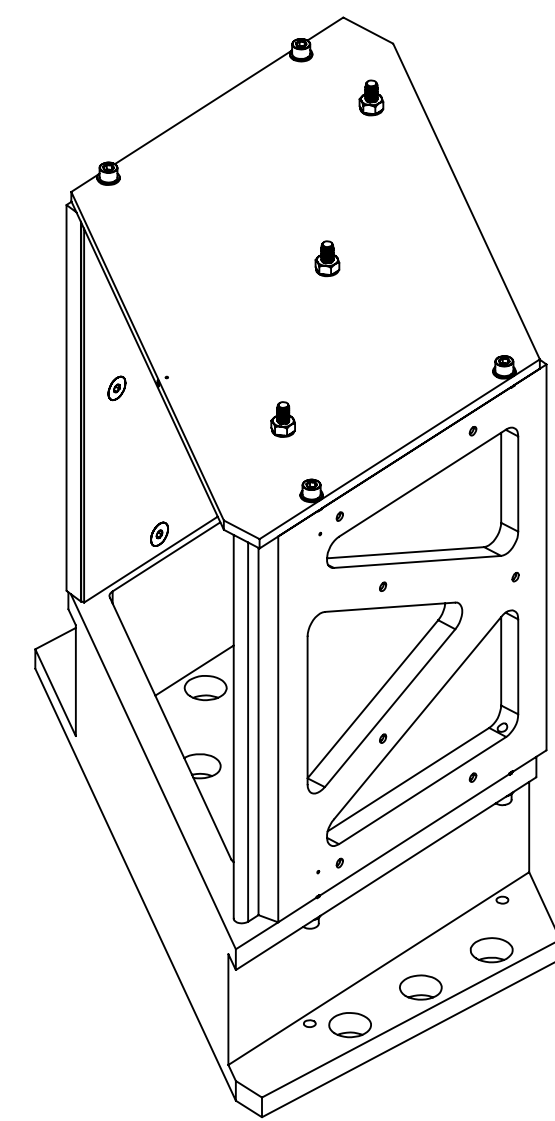
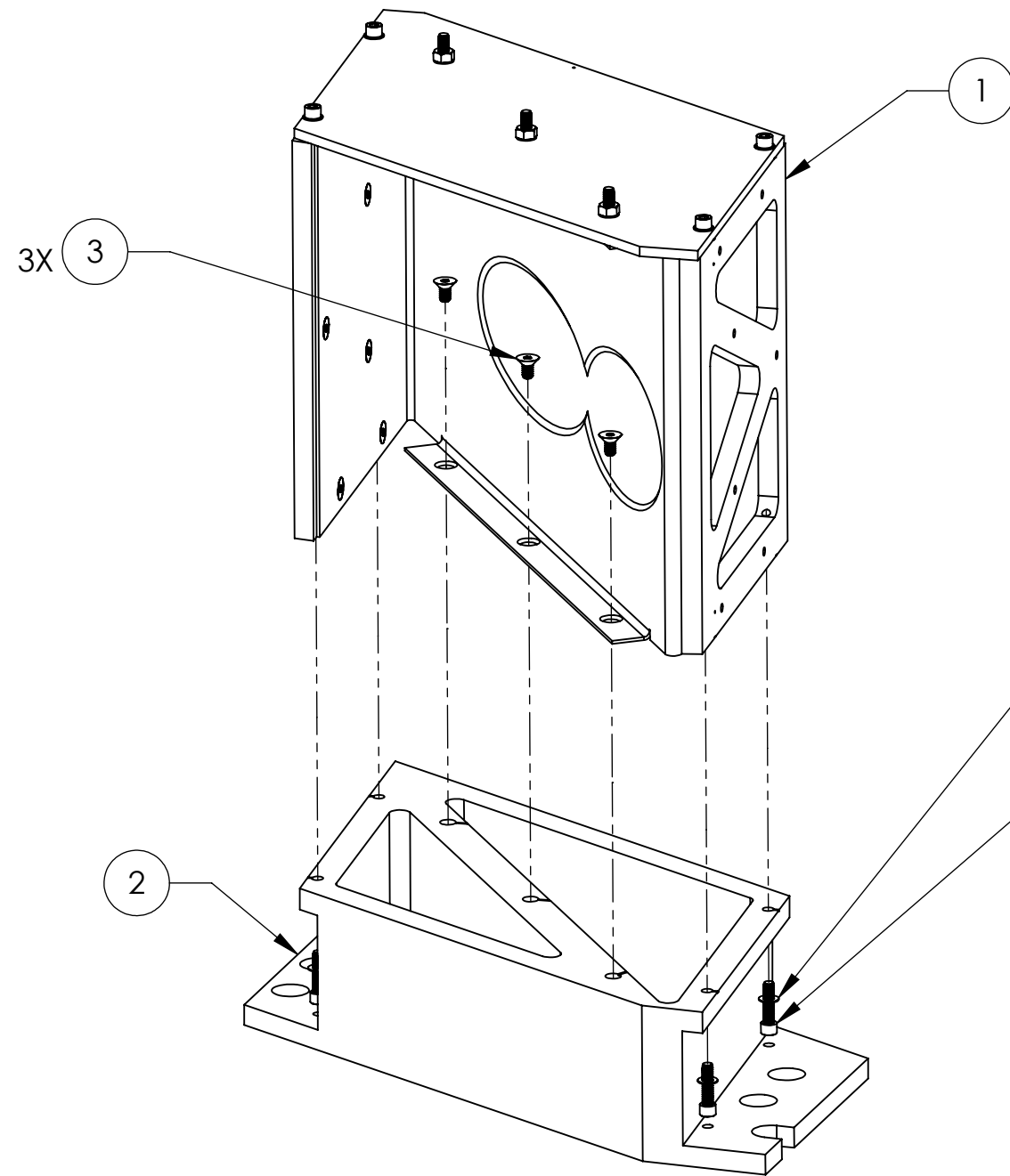


D1003349 AdLIGO AOS SR2 Scraper Baffle Clamped Assy (47.1mm), PART PDM REV: X-025, DRAWING PDM REV: X-006

NOTES CONTINUED:
 5. APPROXIMATE WEIGHT = 32.92 LBS.

REV.	DATE	DCN #	BOM #
v1	16 DEC 2011	E1000865	E1101210
-	-	-	-
-	-	-	-



ITEM NO.	PART NUMBER	DESCRIPTION	MATERIAL	QTY	SPARE	TOTAL
5	90945A760	1/4 X .47OD X .02-.04THK NAS 620 FLAT WASHER	300 SSTL	4		4
4	92200A542	SCREW, SHC, 1/4-20 x 1, MS16995-52, MC #92200A542	300 SSTL	4		4
3	94518A510	Flat, SHCS, .25-20 x .50 lg. (MS24671-28)	300 SSTL	3		3
2	D1100366	SPACER, SR2 SCRAPER BAFFLE, L1	6061-T6 Al	1		1
1	D1003300	SR2 SCRAPER BAFFLE SKIN ASSY	N/A	1	0	1

NOTES AND TOLERANCES: (UNLESS OTHERWISE SPECIFIED)

DIMENSIONS ARE IN INCHES

TOLERANCES:
 .XX ± .02
 .XXX ± .005
 ANGULAR ± 1.0°

1. INTERPRET DRAWING PER ASME Y14.5-1994.
 2. REMOVE ALL SHARP EDGES, .005-.015, FOR MACHINED PARTS. ROUND ALL EDGES APPROXIMATELY R.02 FOR SHEET METAL PARTS.
 3. DO NOT SCALE FROM DRAWING.
 4. ALL MACHINING FLUIDS MUST BE FULLY SYNTHETIC, FULLY WATER SOLUBLE AND FREE OF SULFUR, SILICONE, AND CHLORINE.

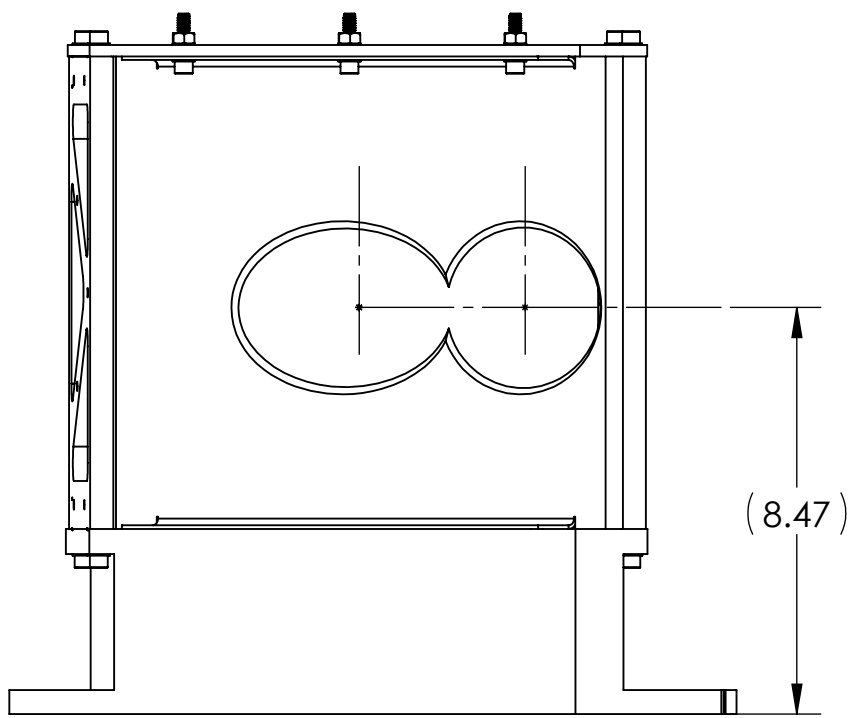
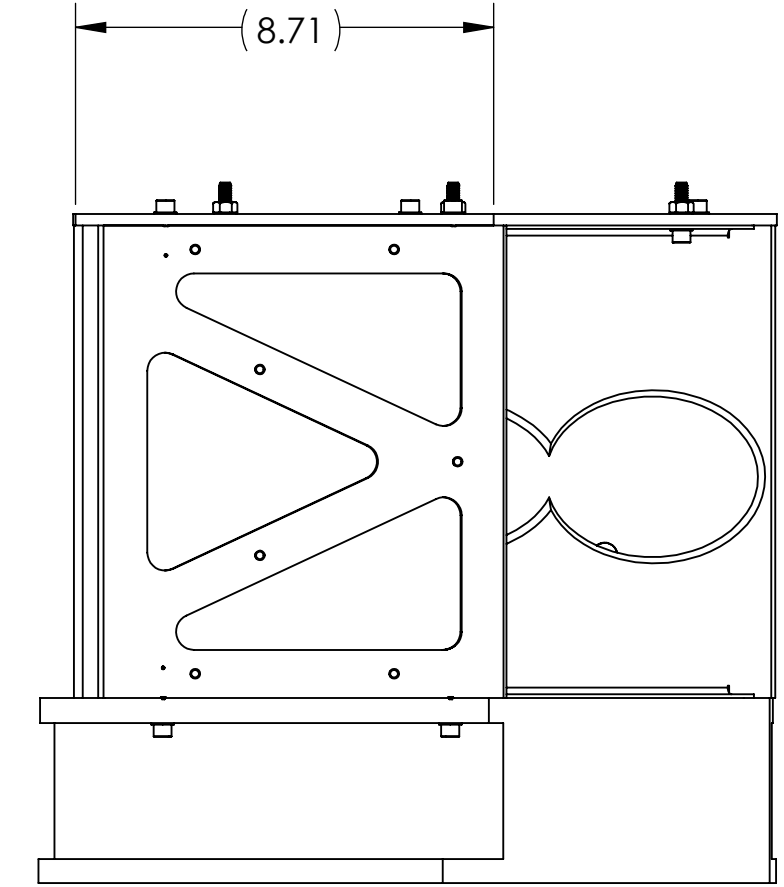
MATERIAL: N/A
 FINISH: N/A μinch


ADVANCED LIGO CALIFORNIA INSTITUTE OF TECHNOLOGY MASSACHUSETTS INSTITUTE OF TECHNOLOGY

SR2 Scraper Baffle Clamped Assy, L1

DESIGNER	MRUIZ	19 DEC 2011	SIZE	DWG. NO.	REV.
DRAFTER	J. TERRAZAS	15 DEC 2011	B	D1003349	v1
CHECKER	M. SMITH	17 MAY 2012	SCALE:	1:4	PROJECTION:
APPROVAL	M. SMITH	17 MAY 2012	SHEET 1 OF 2		

D1003349 AdLIGO AOS SR2 Scraper Baffle Clamped Assy (47.1mm), PART PDM REV: X-025, DRAWING PDM REV: X-006



 CALIFORNIA INSTITUTE OF TECHNOLOGY MASSACHUSETTS INSTITUTE OF TECHNOLOGY		
SIZE	DWG. NO.	REV.
B	D1003349	v1
SCALE: 1:8	PROJECTION:	SHEET 2 OF 2