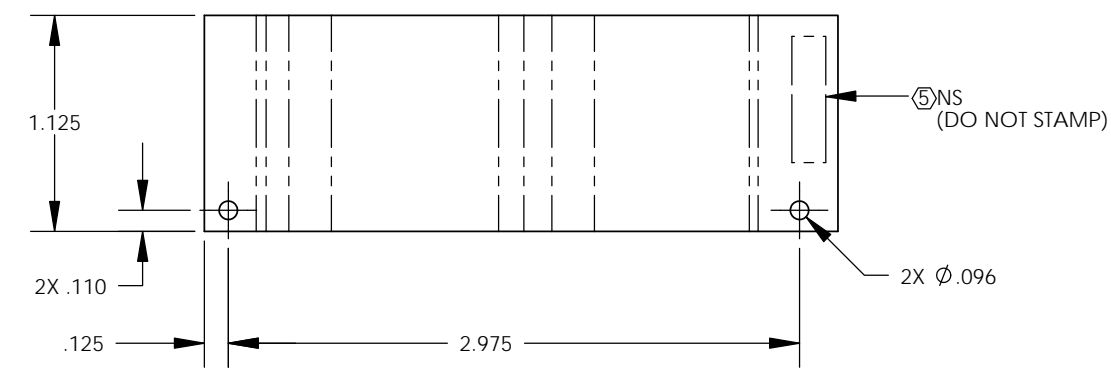
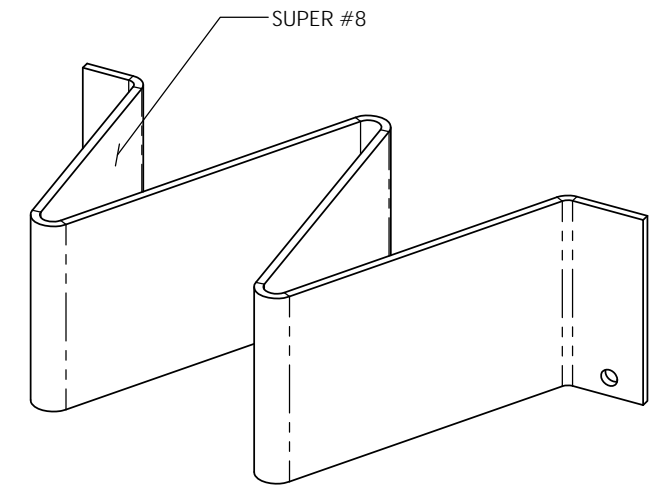
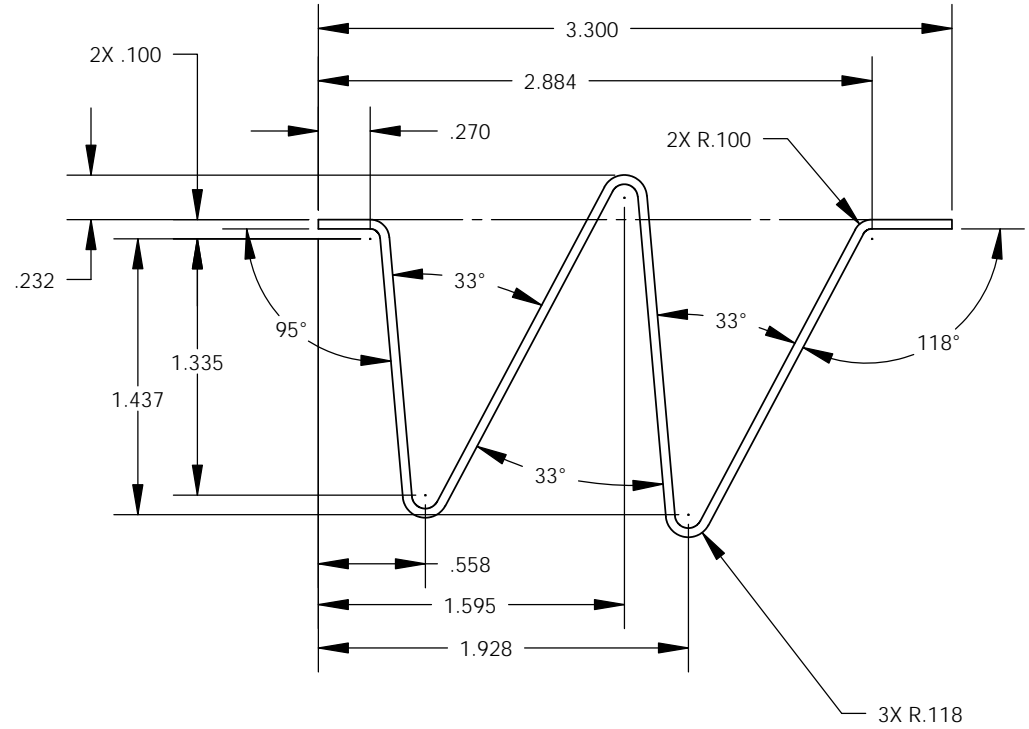


NOTES CONTINUED:

- ⑤ SCRIBE, ENGRAVE (A VIBRATORY TOOL MAY BE USED), LASER MARK (NO INKS OR DYES) DRAWING PART NUMBER, REVISION (AND VARIANT OR "TYPE" IF APPLICABLE) ON NOTED SURFACE OF PART FOLLOWED ON THE NEXT LINE WITH A THREE DIGIT SERIAL NUMBER. SERIAL NUMBERS START AT 001 FOR THE FIRST ARTICLE AND PROCEED CONSECUTIVELY. USE MINIMUM 0.12" HIGH CHARACTERS, UNLESS THE SIZE OF THE PART DICTATES SMALLER CHARACTERS. EXAMPLE: DXXXXXX-VY, TYPE-XX, S/N XXX
- 6. ALL PARTS SHALL BE MANUFACTURED IN ACCORDANCE WITH LIGO SPECIFICATION E0900364.
- 7. ALL MATERIAL IS TO BE VIRGIN MATERIAL (i.e. NO WELD REPAIRS, PLUGS OR RECYCLED MATERIAL), NO REPAIRS SHALL BE MADE UNLESS APPROVED IN ADVANCE, AND IN WRITING, BY LIGO LABORATORY. REFER TO LIGO-E0900364.
- ⑧ SURFACE FINISH TO BE AS-PROCESSED FROM MILL/SUPPLIER, FREE FROM SCRATCHES OR GOUGES.

| REV. | DATE | DCN # | DRAWING TREE # |
|------|-------------|----------|----------------|
| v1 | 16 FEB 2011 | E1000563 | - |
| v2 | 25 OCT 2011 | E1000563 | - |
| - | - | - | - |



| NOTES AND TOLERANCES: (UNLESS OTHERWISE SPECIFIED) | |
|--|---|
| DIMENSIONS ARE IN INCHES | 1. INTERPRET DRAWING PER ASME Y14.5-1994. |
| TOLERANCES: .XX ± .01 .XXX ± .005 | 2. REMOVE ALL SHARP EDGES, .005-.015, FOR MACHINED PARTS. ROUND ALL EDGES APPROXIMATELY R.02 FOR SHEET METAL PARTS. |
| ANGULAR ± .5° | 3. DO NOT SCALE FROM DRAWING. |
| | 4. ALL MACHINING FLUIDS MUST BE FULLY SYNTHETIC, FULLY WATER SOLUBLE AND FREE OF SULFUR, SILICONE, AND CHLORINE PER LIGO DOCUMENT E0900237. |
| MATERIAL 18 GAUGE 304 SSSL | FINISH ⑧ SUPER #8 |

| | | | |
|---|--------------------------|--|-----------------------------|
| CALIFORNIA INSTITUTE OF TECHNOLOGY MASSACHUSETTS INSTITUTE OF TECHNOLOGY | | PART NAME OUTPUT FARADAY ISOLATOR BAFFLE | |
| SYSTEM ADVANCED LIGO | SUB-SYSTEM AOS | DESIGNER M.RUIZ | DATE 09 FEB 2011 |
| NEXT ASSY D0900623 | CHECKER | DATE 16 FEB 2011 | SIZE B |
| | APPROVAL | | DWG. NO. D1100247 |
| | | SCALE: 1:1 | PROJECTION: |
| | | | REV. v2 |
| | | | SHEET 1 OF 1 |

D1100247_AdlIGO_AOS_Output Faraday Isolator Baffle, PART PDM REV: X-001, DRAWING PDM REV: X-004