

SUSPENSION EDDY CURRENT DAMPER ASSEMBLY

Tests on a 2x2 array Lightweight Eddy Current Damper

PROTOTYPE: 2 x 2 ARRAY

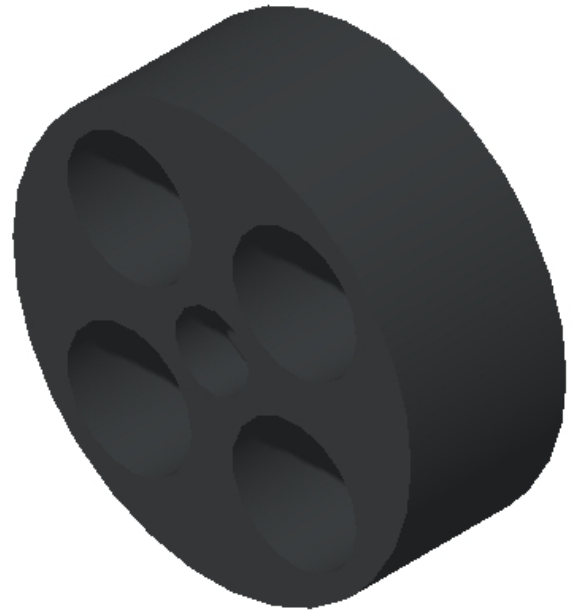
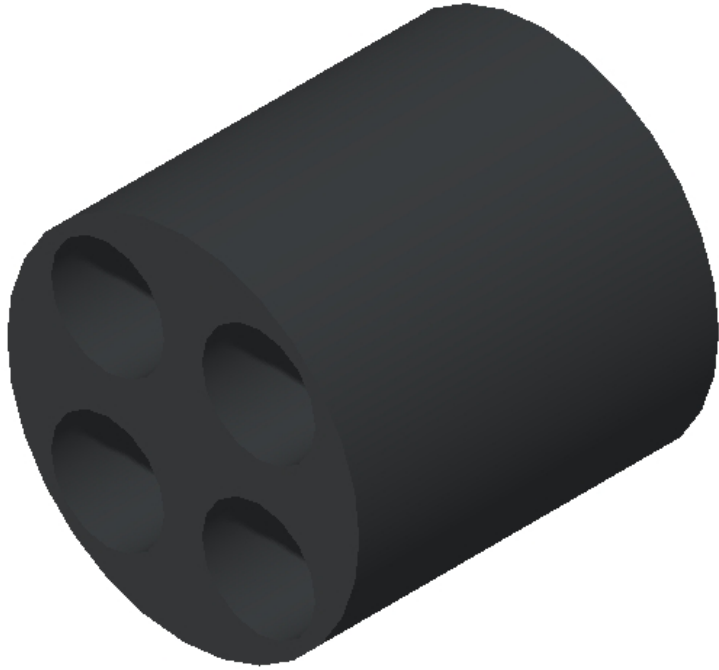
ALUKGLA0029aAUG03

LIGO-G030385-00

ALUK GLASGOW MEETING AUGUST 2003

CALTECH: - C. TORRIE, M. BARTON, P. WILLEMS, J. ROMIE

UNIVERSITY OF GLASGOW: - N. ROBERTSON, M. PLISSI A. GRANT

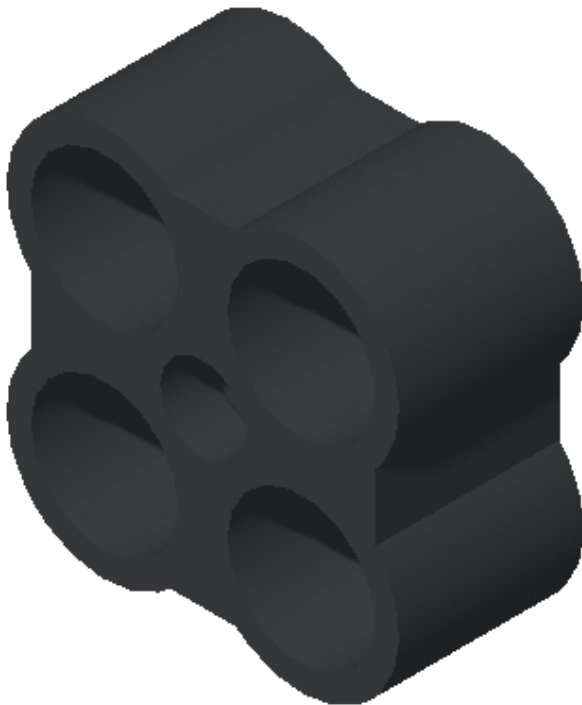
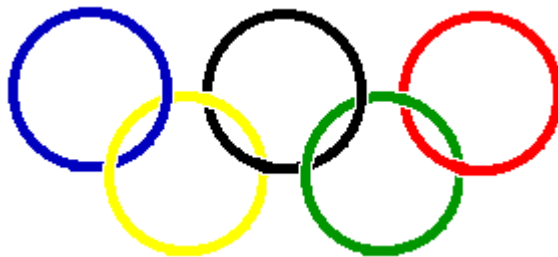


Timeline



LIGO-G030385-02

ALUKGLA0029aAUG03

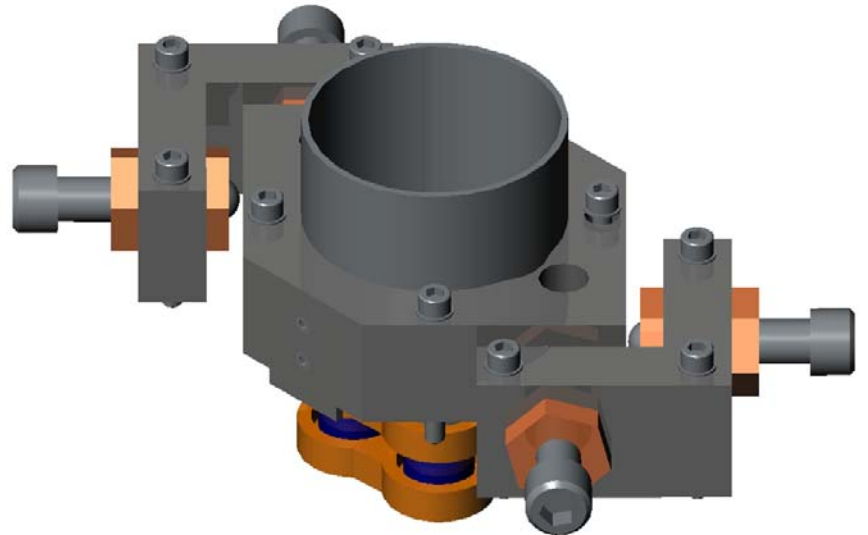
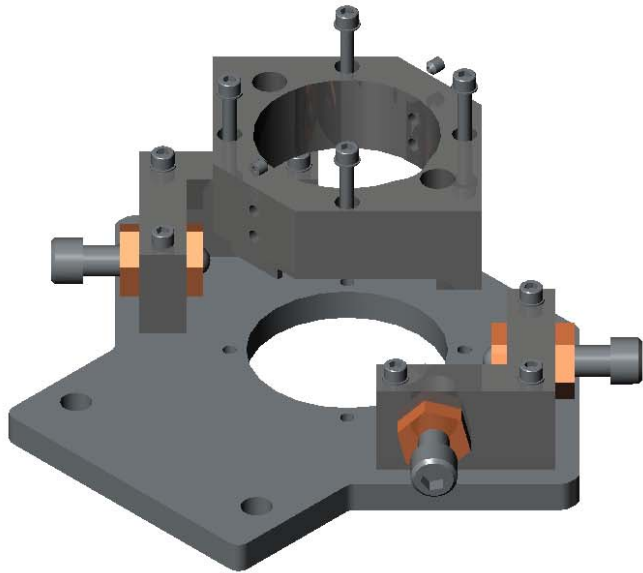
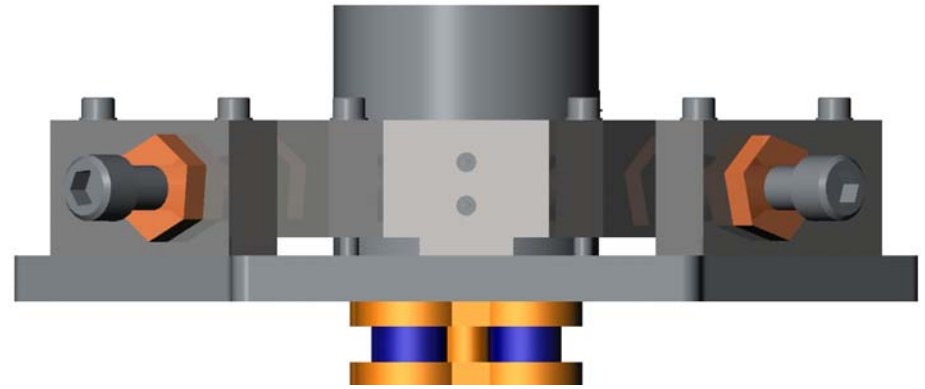
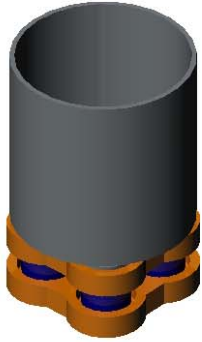


Present day

LIGO-G030385-02

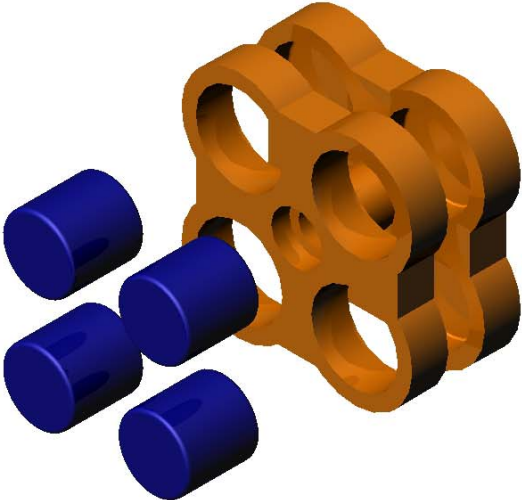
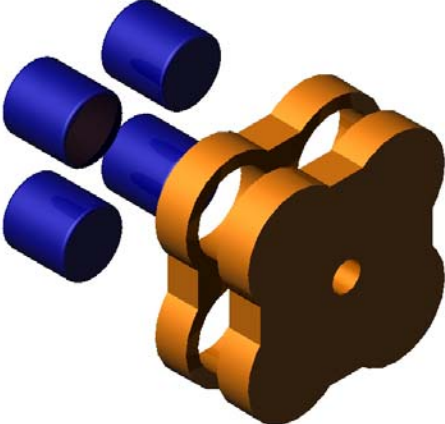
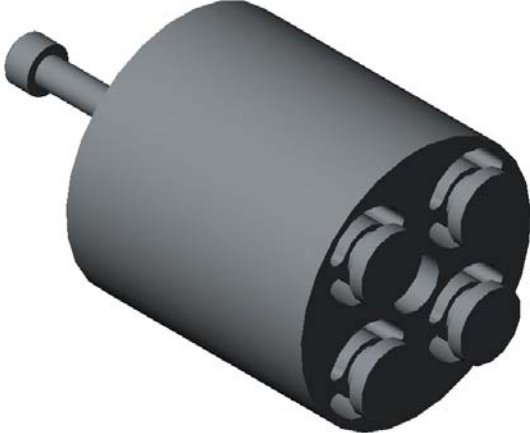
ALUKGLA0029aAUG03

2x2 ARRAY EDDY CURRENT DAMPER ASSEMBLY – FOR TEST SUSPENSION



LIGHTWEIGHT OLYMPIC RING DESIGN

LIGHTWEIGHT OLYMPIC RING DESIGN

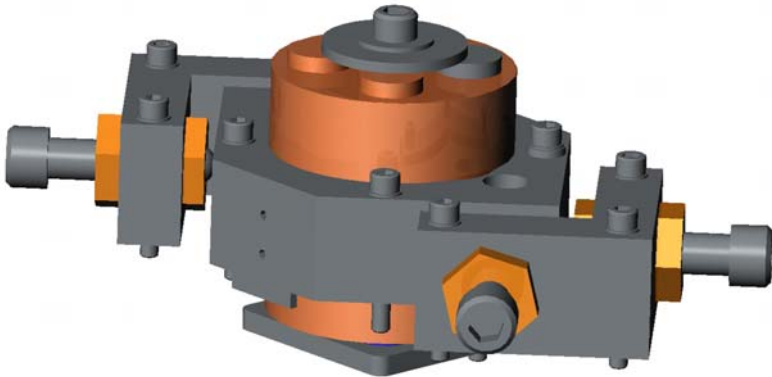
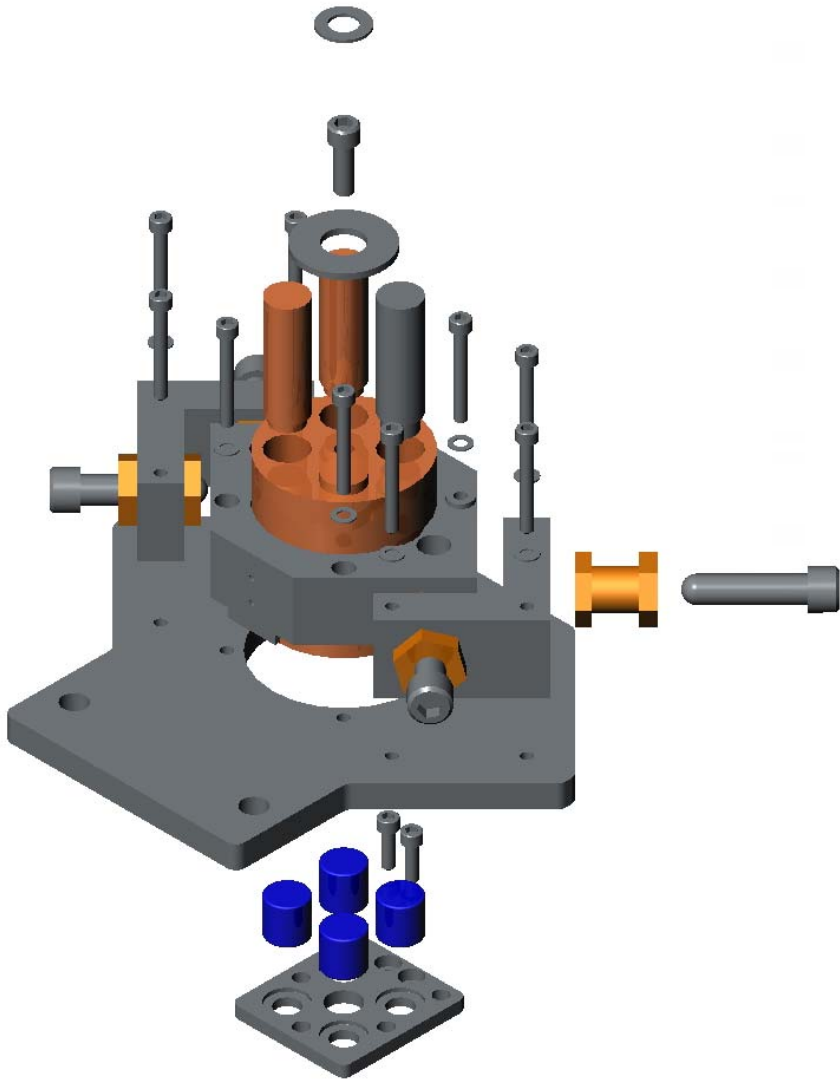


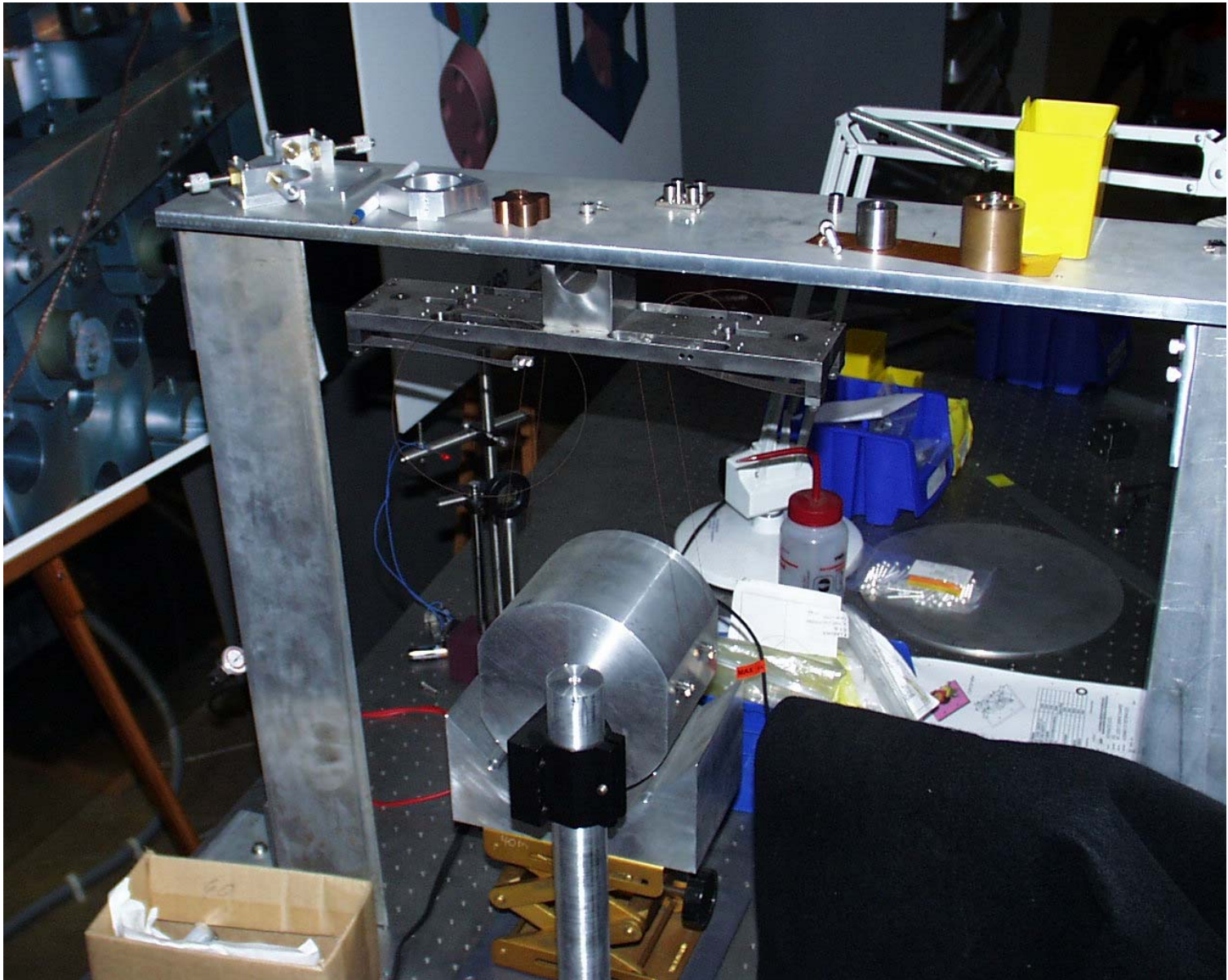
LIGO-G030385-02



MAGNETS ON THE SUSPENDED MA

ORIGINAL PROTOTYPE DESIGN





LIGO-G030385-02

ALUKGLA0029aAUG03

