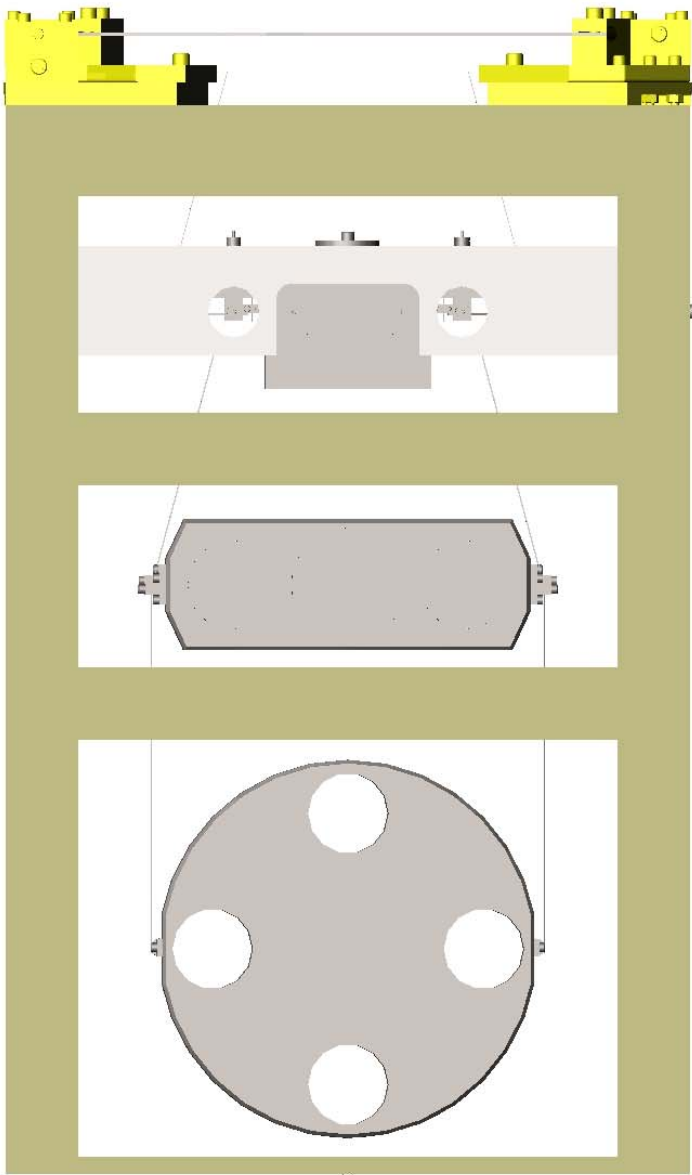


# RECYCLING MIRROR SUSPENSION

G030410-01 AUGUST 2003  
ALUK GLASGOW MEETING

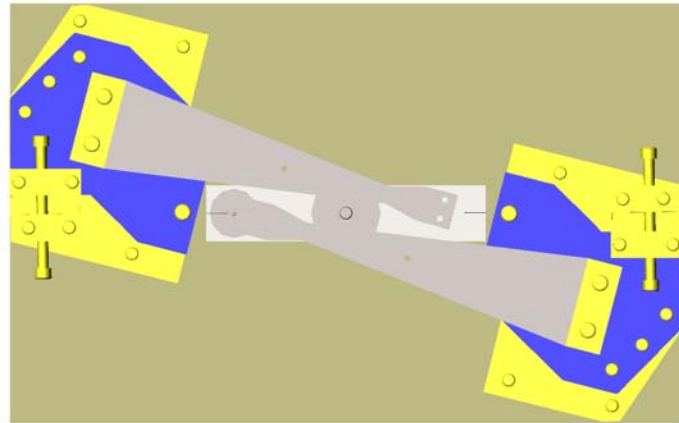
Michael Perreur-Lloyd Calum I. Torrie

THE WORK ON THE RM SUSPENSION WAS CARRIED  
OUT BY MPL and CIT. SOLIDWORKS EXPLORER WAS  
USED TO CREATE A PORTION OF THE PARTS FROM  
THE ORIGINAL MC SET OF DRAWINGS.



810 mm

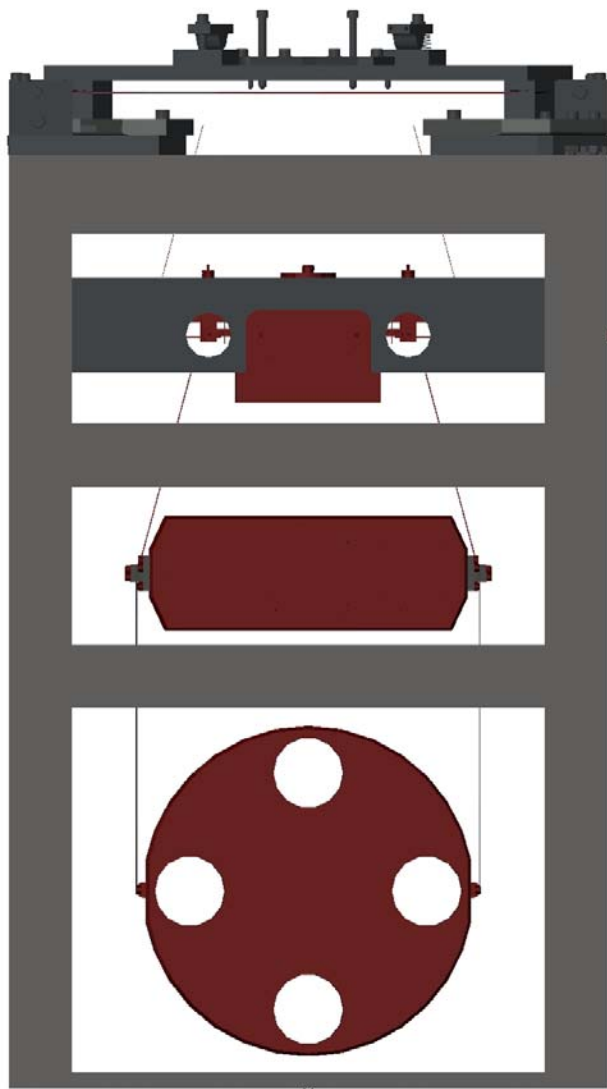
480 mm



300 mm

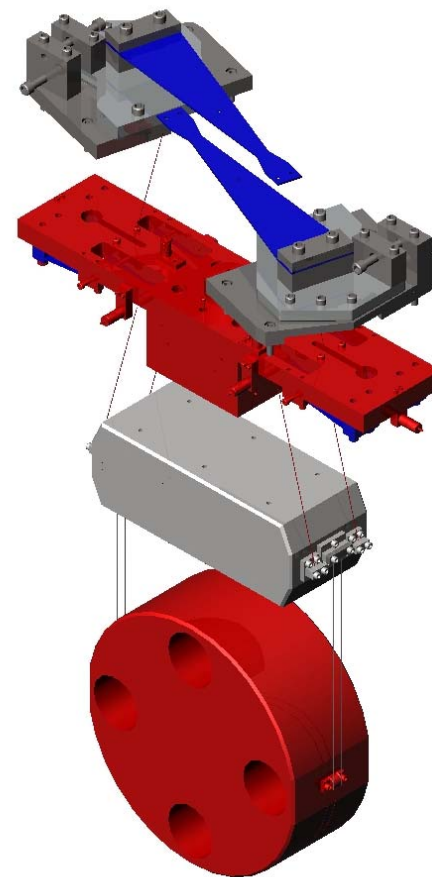
GLA0068aAUG03

RECYCLING MIRROR<sup>2</sup>

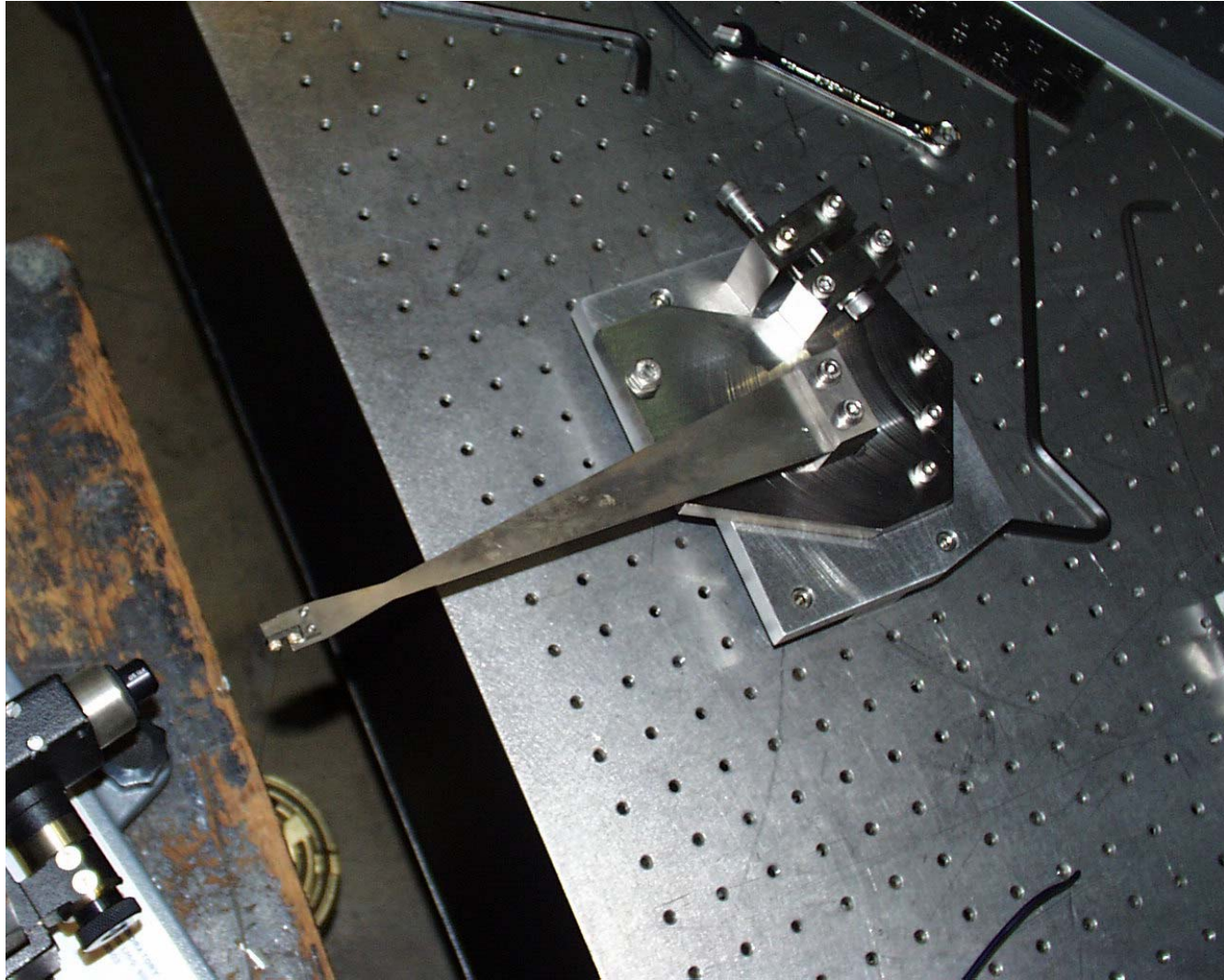


G030410-01

ALUKGLA0068aAUG03



RECYCLING MIRROR<sup>3</sup>

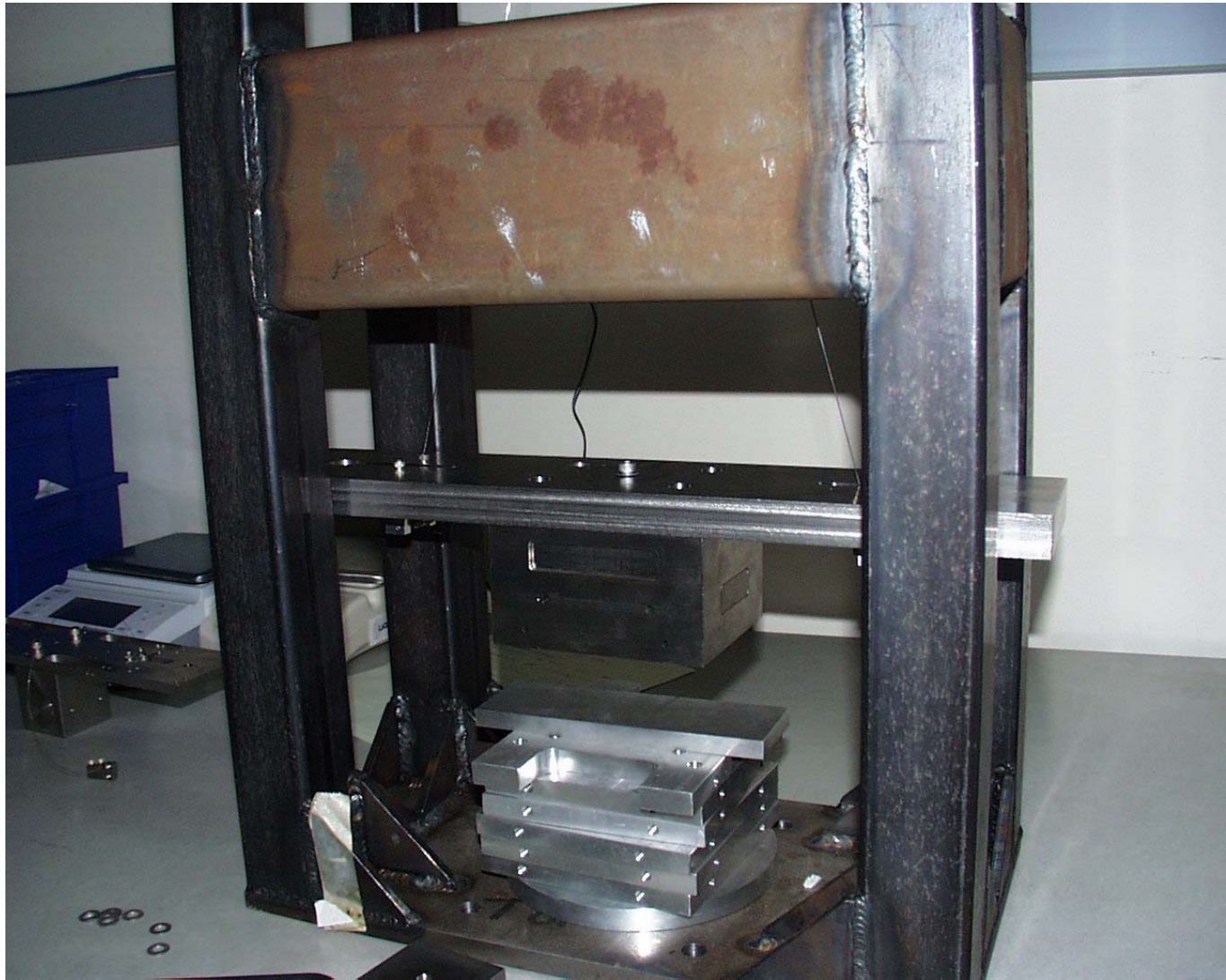


G030410-01

ALUKGLA0068aAUG03

4

**PROTOTYPE YAW ADJUSTMENT**



G030410-01

ALUKGLA0068aAUG03

PROTOTYPE UPPER MASS, 12 kg<sup>5</sup>