

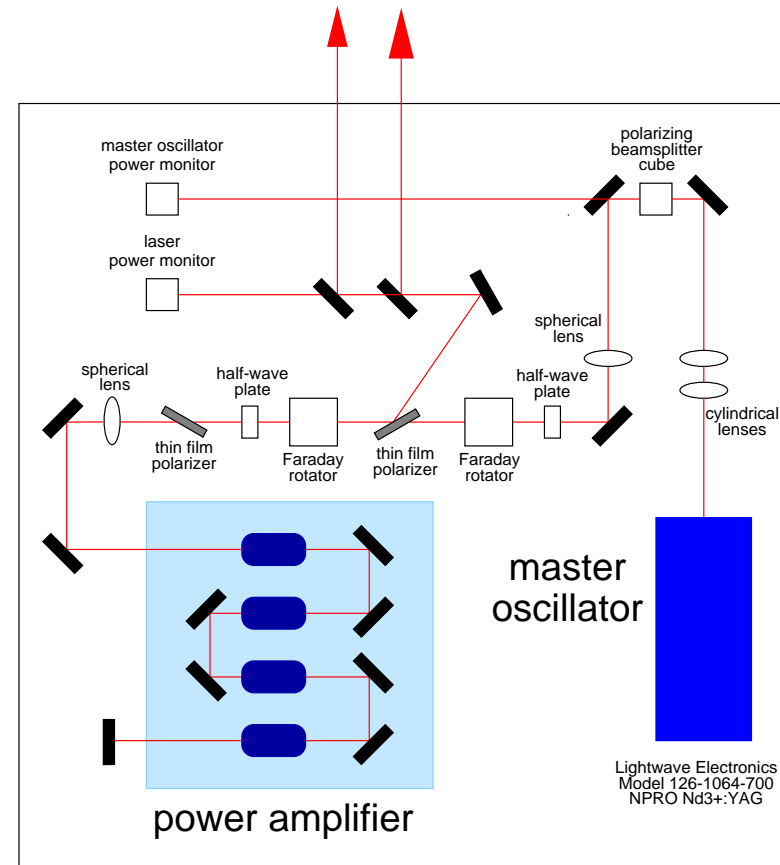
---

# LIGO PSL Status

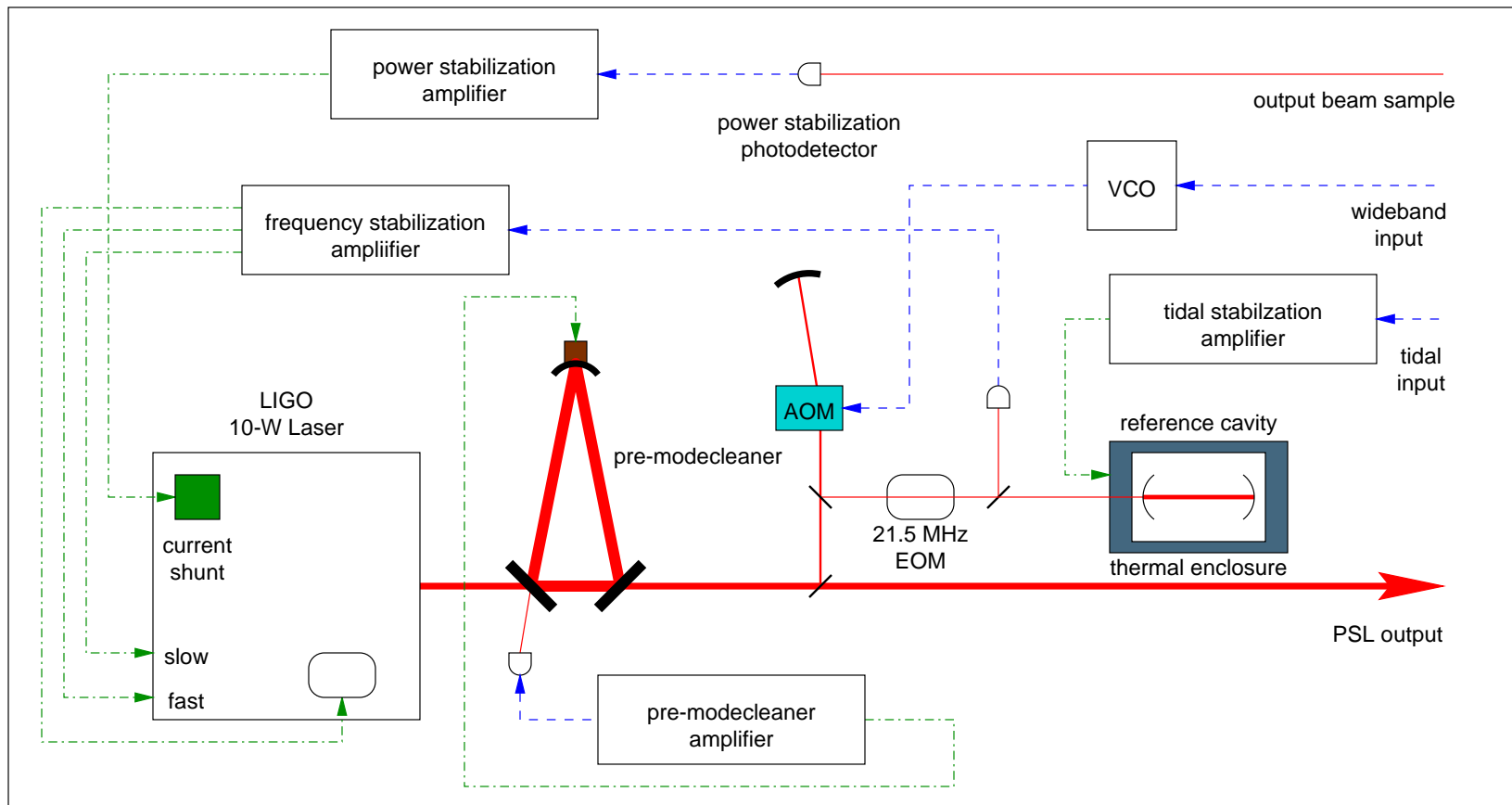
Peter King

# LIGO 10-W Laser

- MOPA configuration
- developed under contract with Lightwave Electronics
- 9 lasers with LIGO
  - LHO 2k: ~37k hours
  - LHO 4k: ~27k hours
  - LLO 4k: ~19k hours
  - 40m Lab: ~22k hours



# LLO PSL Layout



# Frequency Stabilisation

---

- performance close to design requirement
- revisions in progress
  - higher bandwidth servo
    - at present the bandwidth is limited by the full power bandwidth of the PA-85 based Pockels cell driver
  - revised optical layout
    - simplifies switching out 10-W lasers
    - pick-off for reference cavity before pre-modecleaner

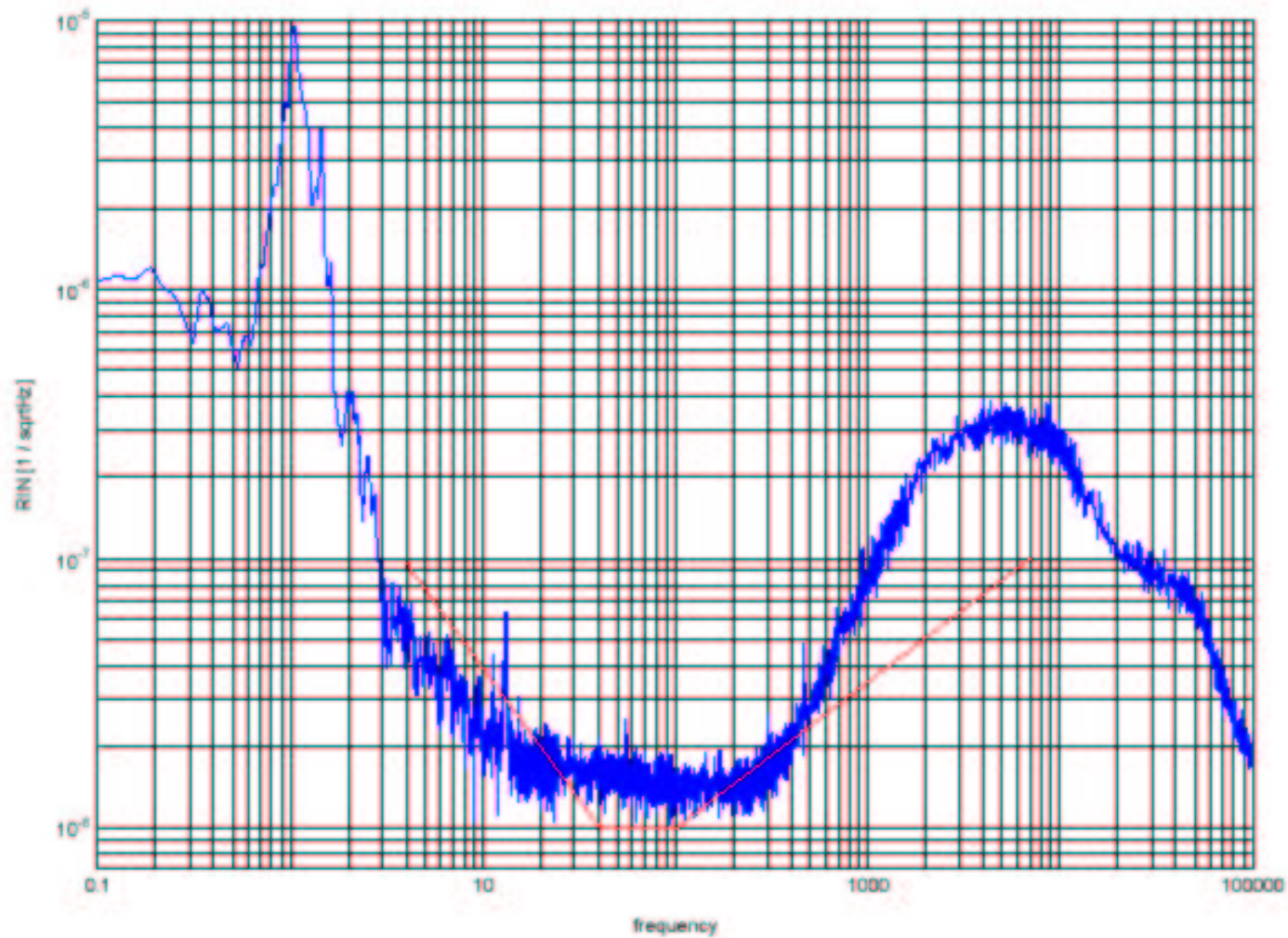
# Intensity Stabilisation

---

- performance close to design requirement
  - $2 \times 10^{-8}$  per Sqrt[Hz] at 10 Hz after the suspended modecleaner
- servo uses two actuators, both modulate the pump diode current
- work underway to improve the bandwidth of the current shunt
  - slew rate limit of OP-37, replaced with AD829
- determine position of sensing photodetector

# Intensity Stabilisation

---



# Miscellaneous

---

- frequency stabilisation developments  
(Paul Schwinberg / Rick Savage)
- intensity stabilisation developments  
(Mike Zucker / Flavio Nocera)