



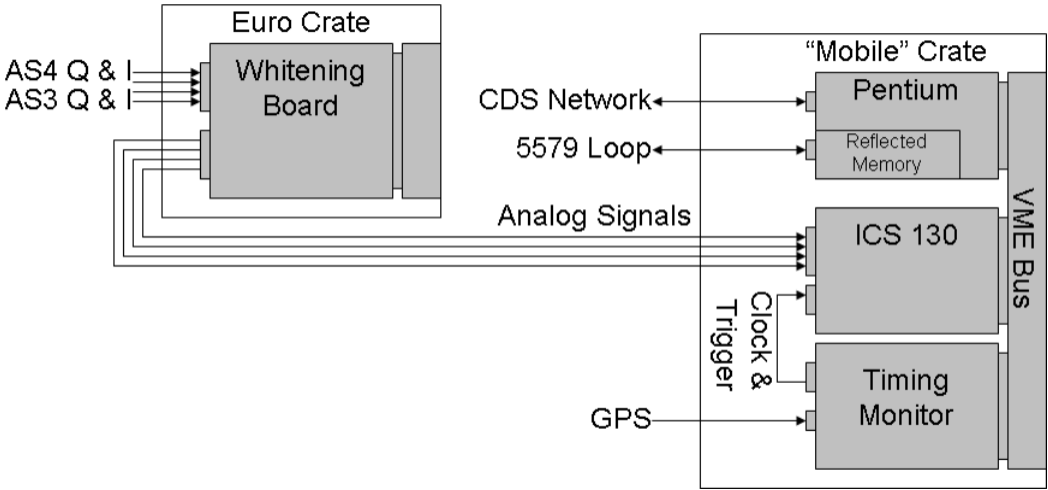
Fast DAQ Channel

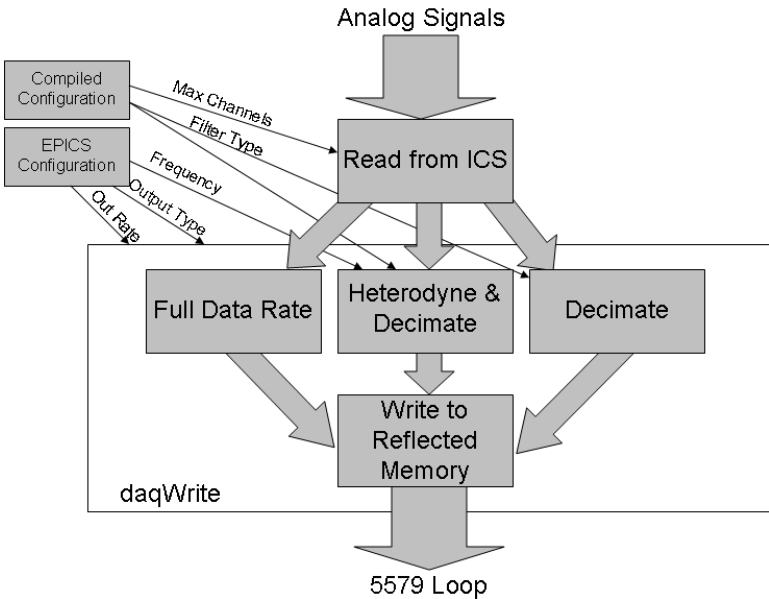
Commissioning Meeting, Aug 30, 2004

Daniel Sigg

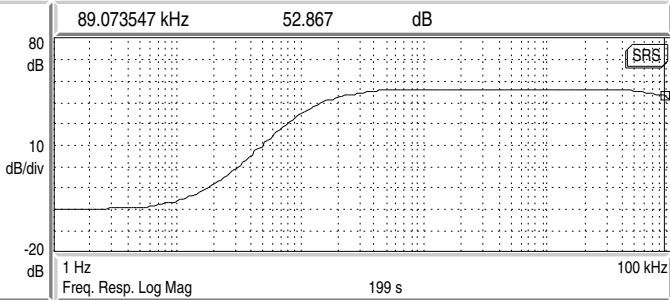
Basic Design

- ❑ New ADCU unit
- ❑ 4-8 channels at 262.144 kHz sampling rate
 - 2 MB/s to 4 MB/s data rate
 - Not archived; analog testpoints
- ❑ Heterodyning
 - Frequency must be a multiple of 128 Hz
 - Complex time series data
 - Archived at rates between 2048 Hz and 16384 Hz
- ❑ Support for FSR GW channels
- ❑ Support added to dataviewer/dtt

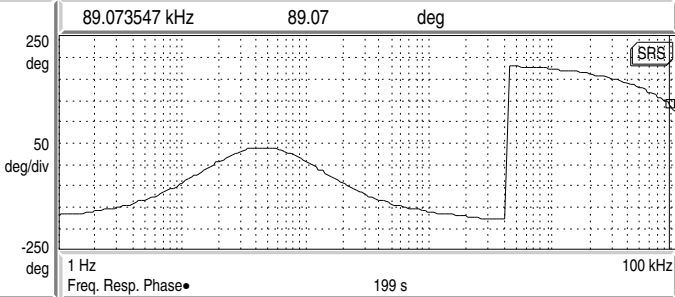




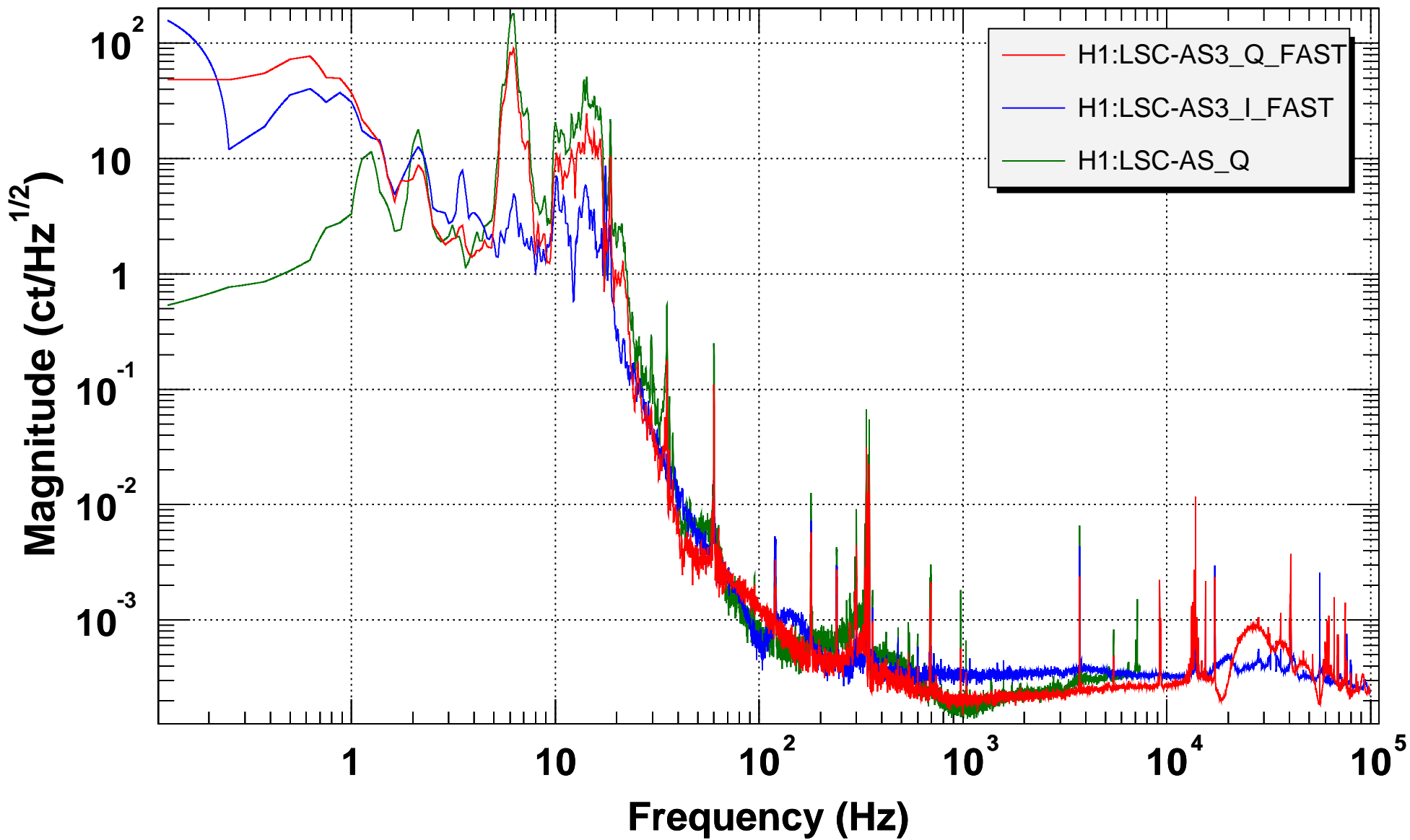
A Done



B Done



Fast DAQ Channel on AS3



T0=23/08/2004 00:19:08

Avg=10/Bin=80L

BW=0.187356

Proposal

- ❑ Add a fast ADCU to each interferometer
- ❑ Costs:
 - 3 CPUs VMIC 7805: \$3600 ea.
 - 3 reflective memory boards: \$2500 ea.
 - 5 ICS-130 (2 spares): \$8000 ea.
 - 3 timing boards (D980369): free(?)
 - 6 whitening boards (D040425): \$1000 per board
 - Total: ~\$65k, allocated \$15k (test)