

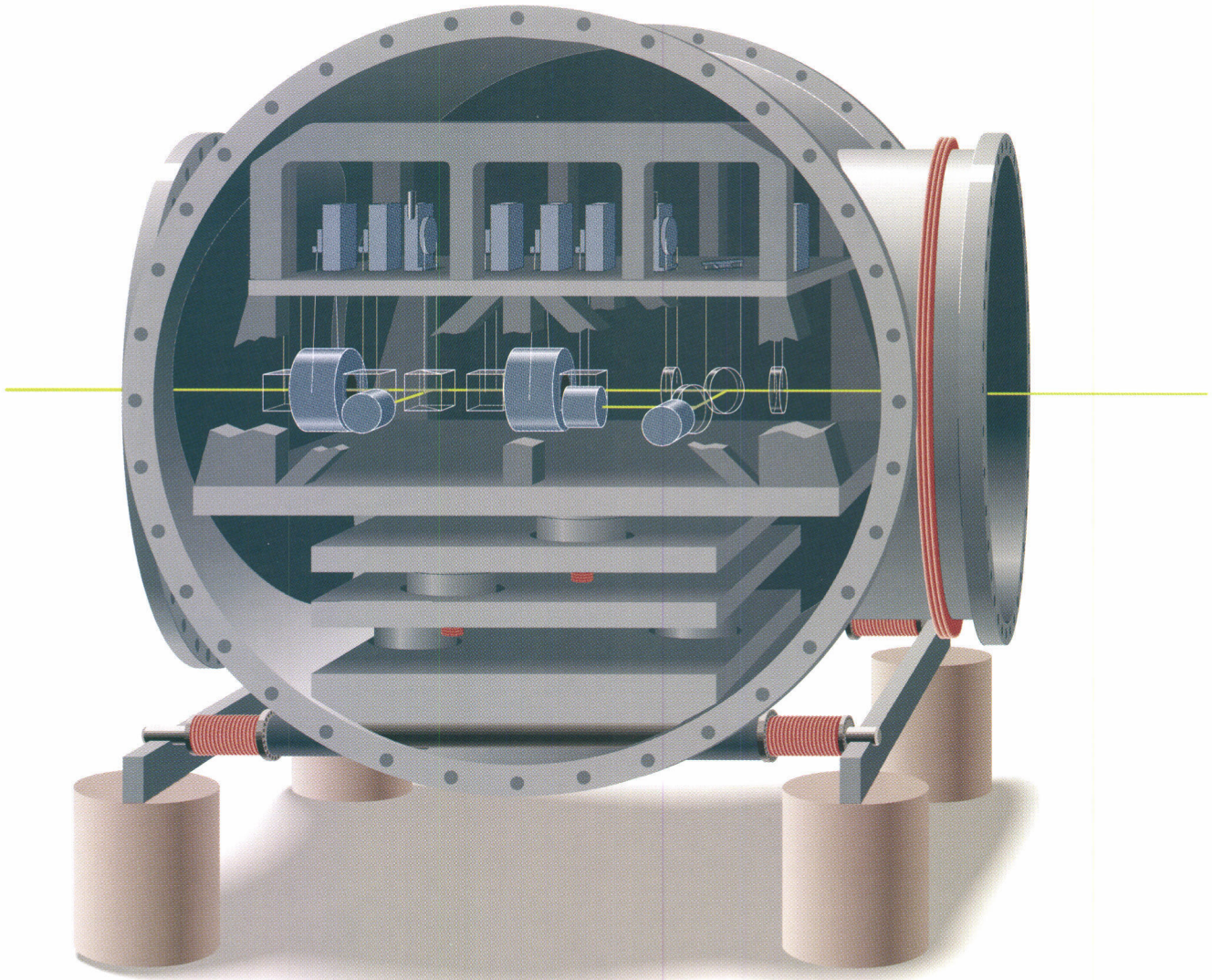
To: turner\_l@ligo.caltech.edu

LIGO-G890004-00-R

X-Sender: stan@127.0.0.1  
X-Mailer: QUALCOMM Windows Eudora Version 4.3.2  
Date: Tue, 29 Jan 2002 13:29:12 -0800  
To: turner\_l@ligo.caltech.edu  
From: Stan Whitcomb <stan@ligo.caltech.edu>  
Subject: titles/captions

### Schematic view of a Horizontal Access Module chamber

This concept, produced for the 1989 LIGO construction proposal in 1989, shows Horizontal Access Module chamber. The large removable doors were to provide easy access to the input optics. In this case, an early concept for the seismic isolation stack can be seen under the spaceframe from which the input optics are suspended.

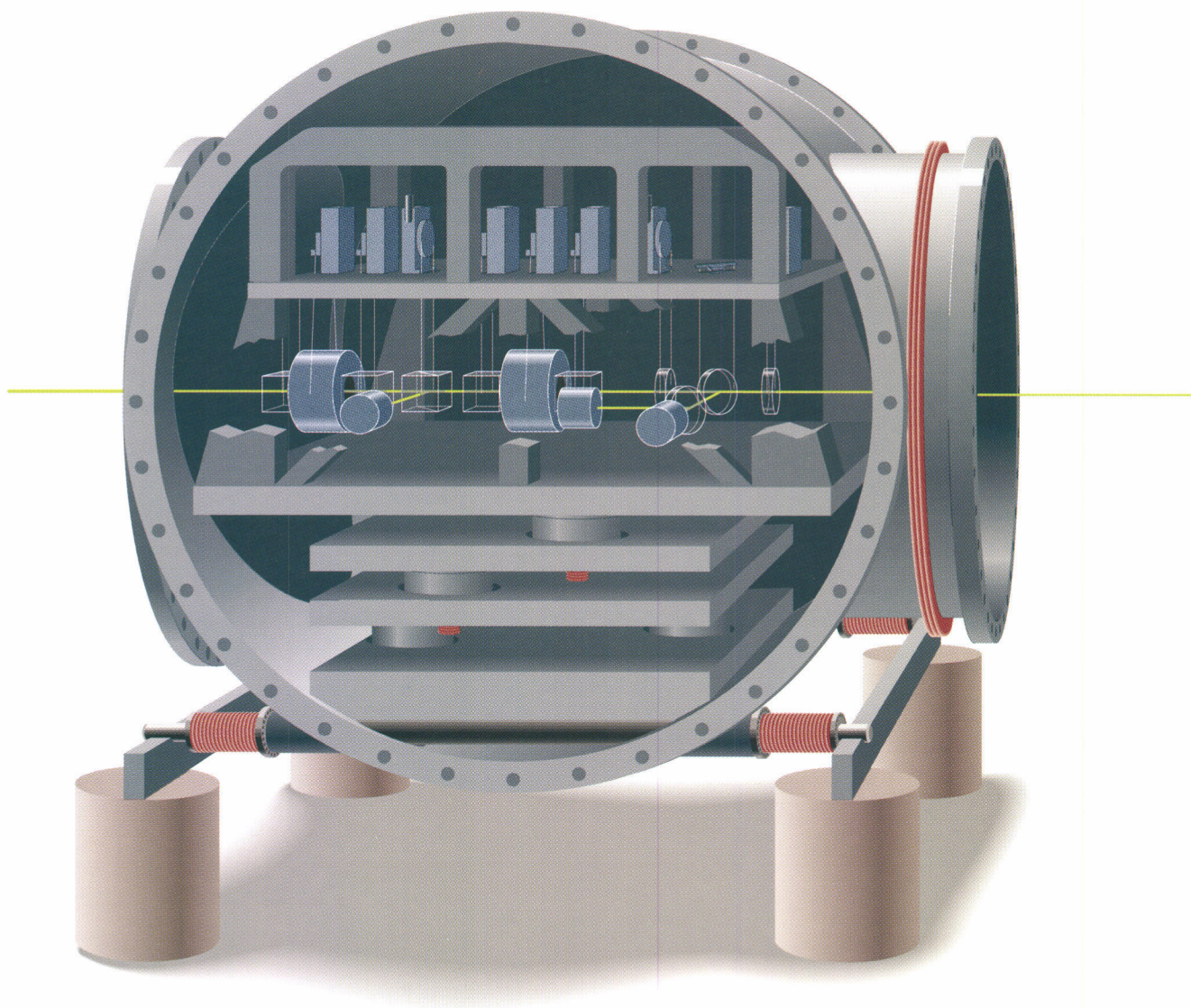


Rendering by J. Nils Lindstrom © 1989 Caltech

LIGO-G890004-00-R

Schematic View of a Horizontal Access

Module Chamber

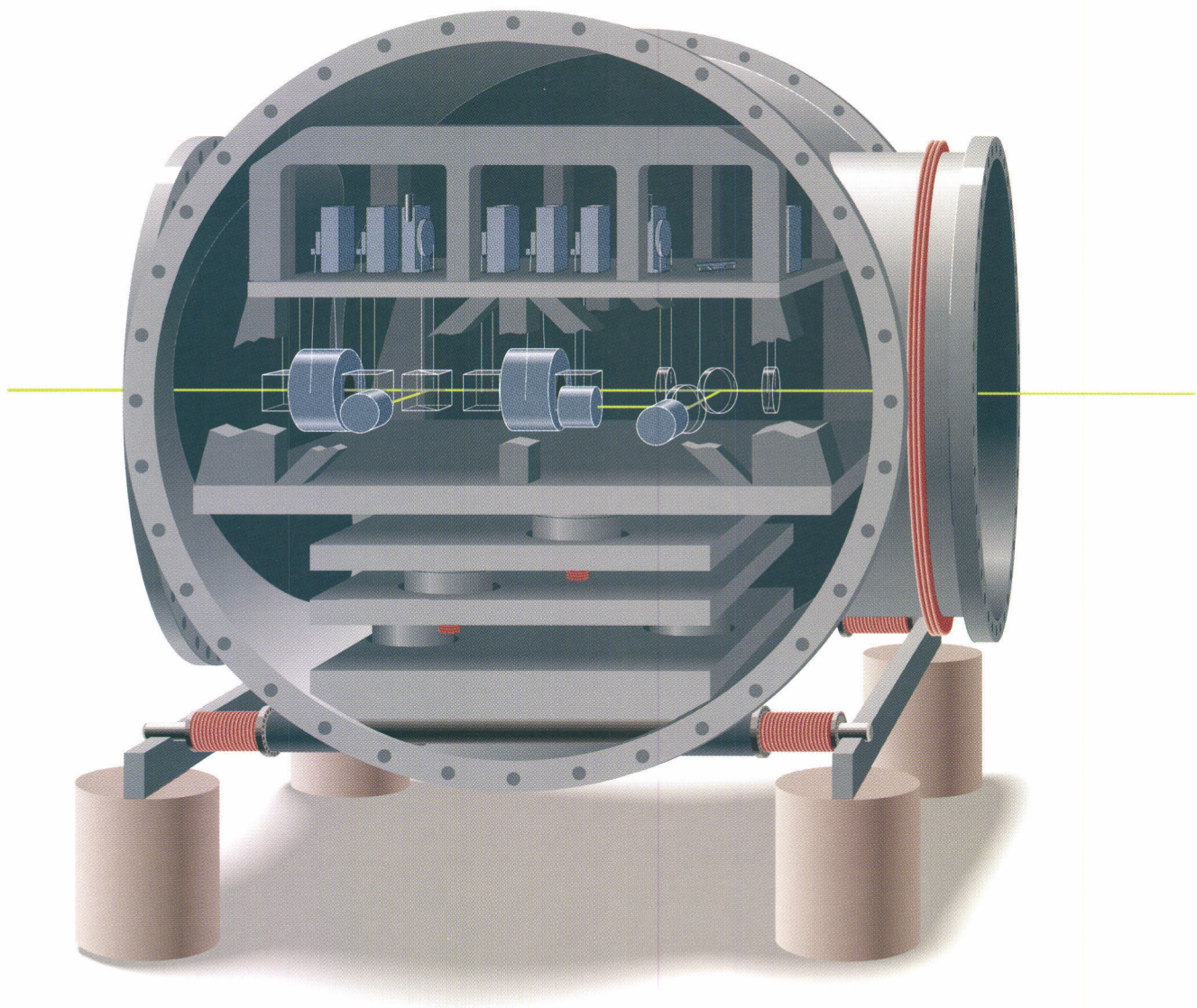


Rendering by J. Nils Lindstrom © 1989 Caltech

LIGO-G890004-00-R

Schematic View of a Horizontal Access

Module Chamber

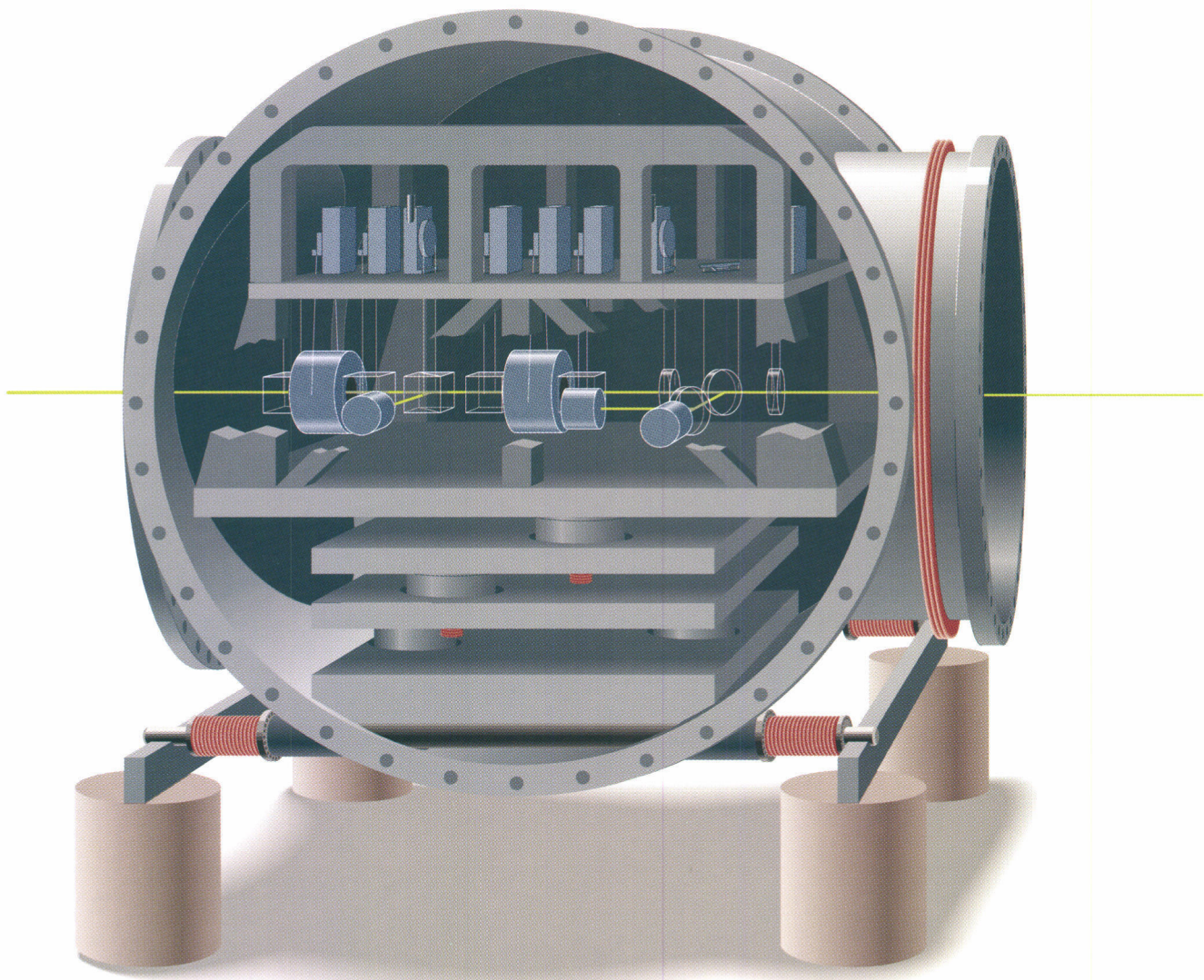


Rendering by J. Nils Lindstrom © 1989 Caltech

LIGO-G890004-00-R

Schematic View of a Horizontal Access

Module Chamber

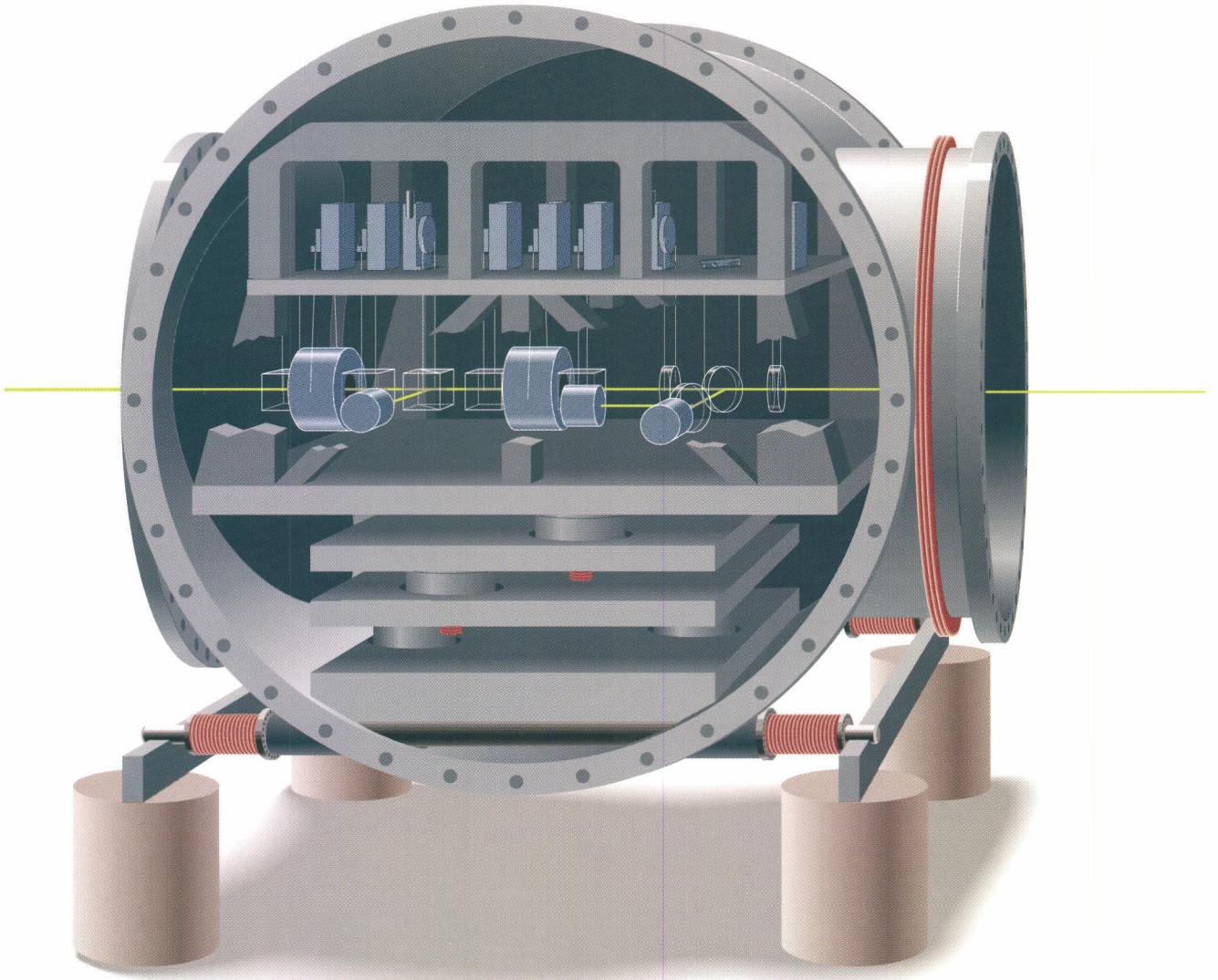


Rendering by J. Nils Lindstrom © 1989 Caltech

LIGO-G890004-00-R

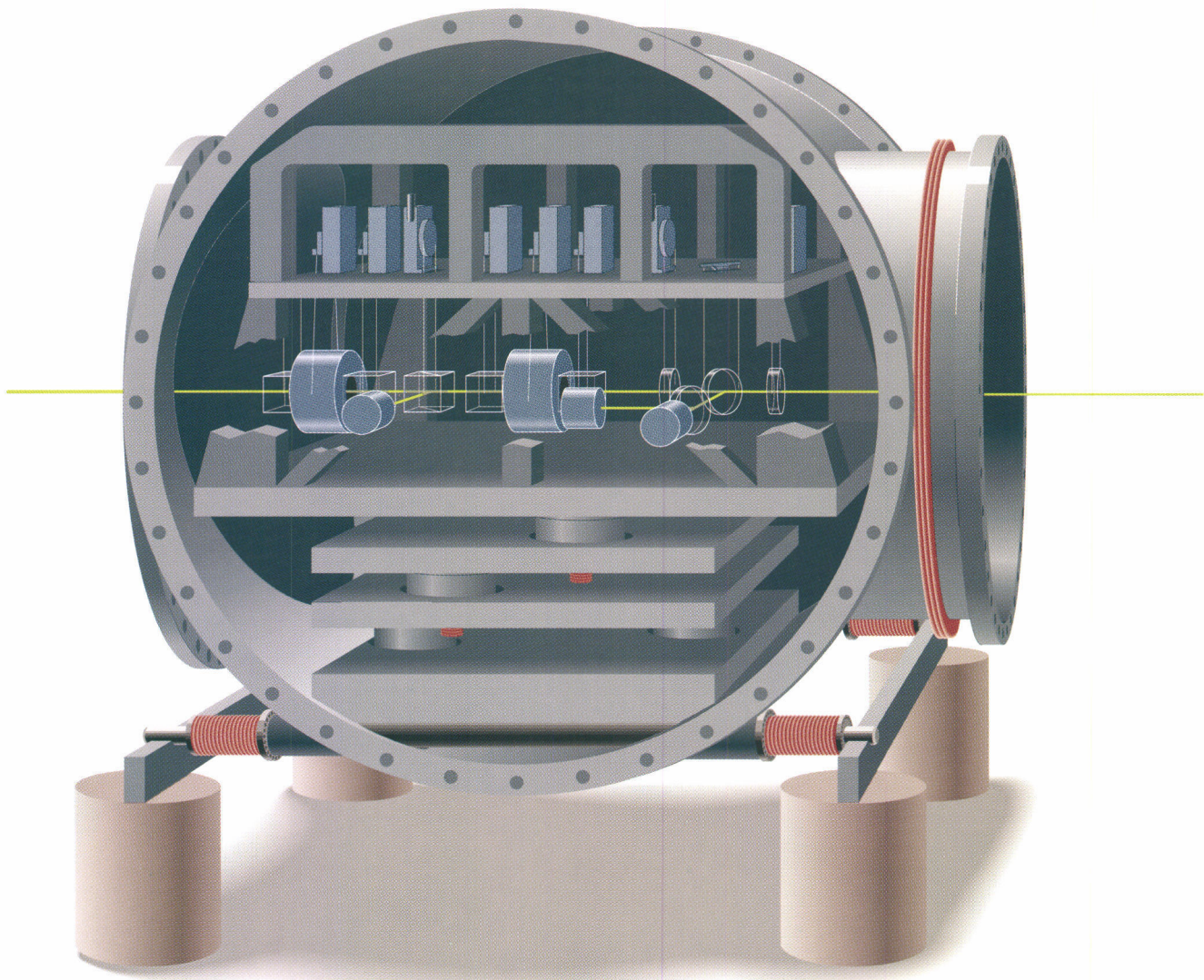
Schematic View of a Horizontal Access

Module Chamber



Rendering by J. Nils Lindstrom © 1989 Caltech

LIGO-G890004-00-R  
Schematic View of a Horizontal Access  
Module Chamber

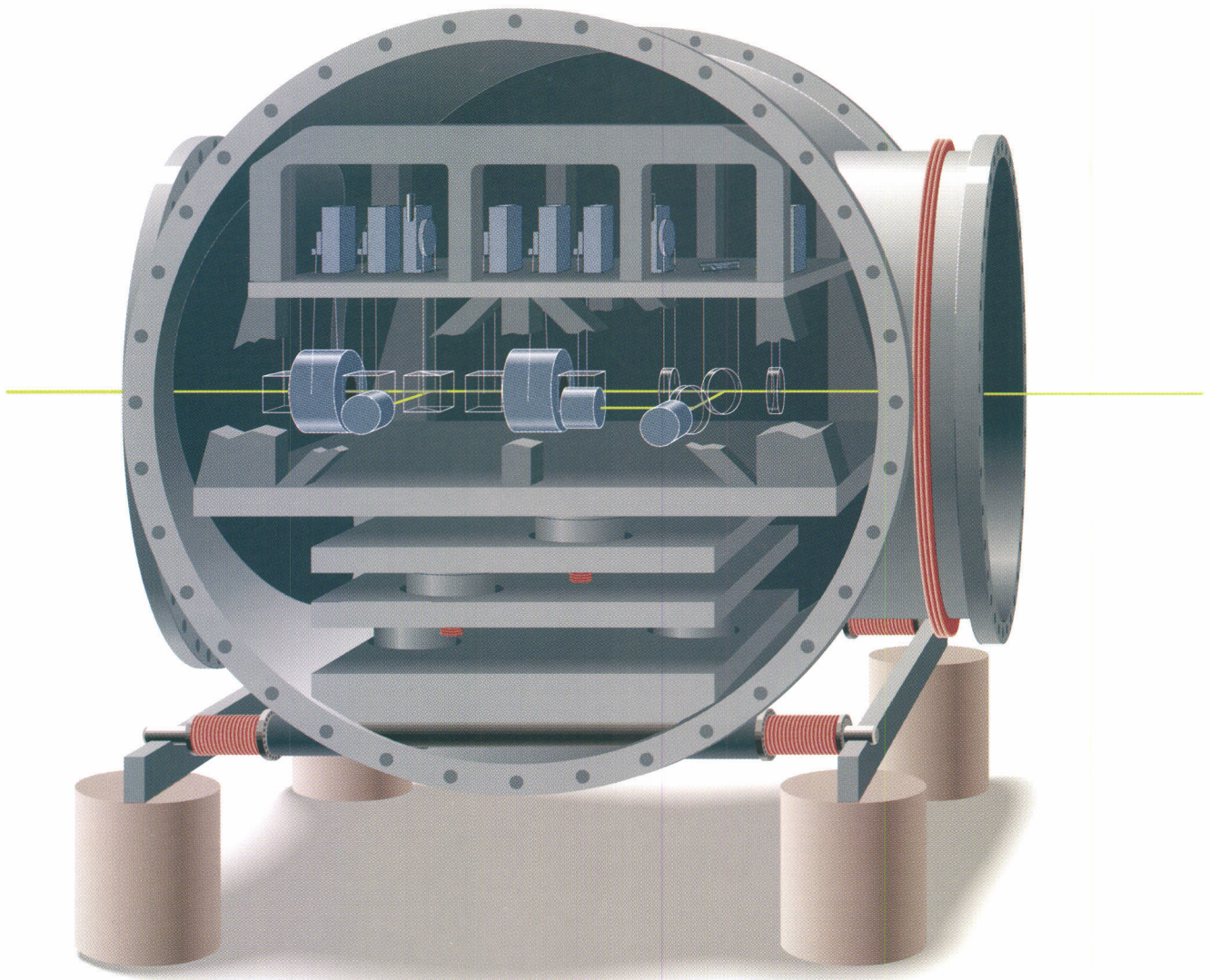


Rendering by J. Nils Lindstrom © 1989 Caltech

LIGO-G890004-00-R

Schematic View of a Horizontal Access

Module Chamber



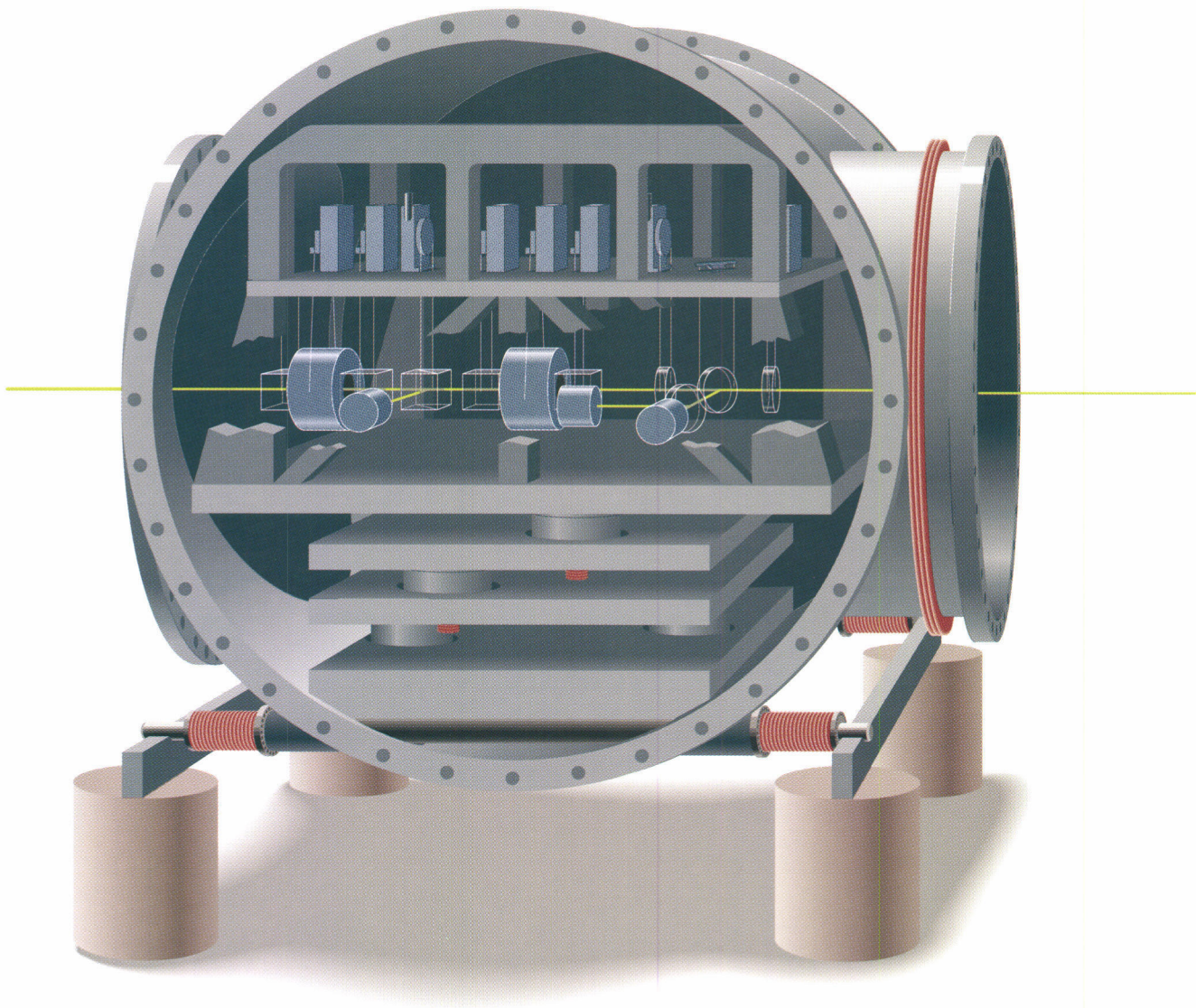
Rendering by J. Nils Lindstrom © 1989 Caltech

LIGO-G890004-00-R

Schematic View of a Horizontal Access

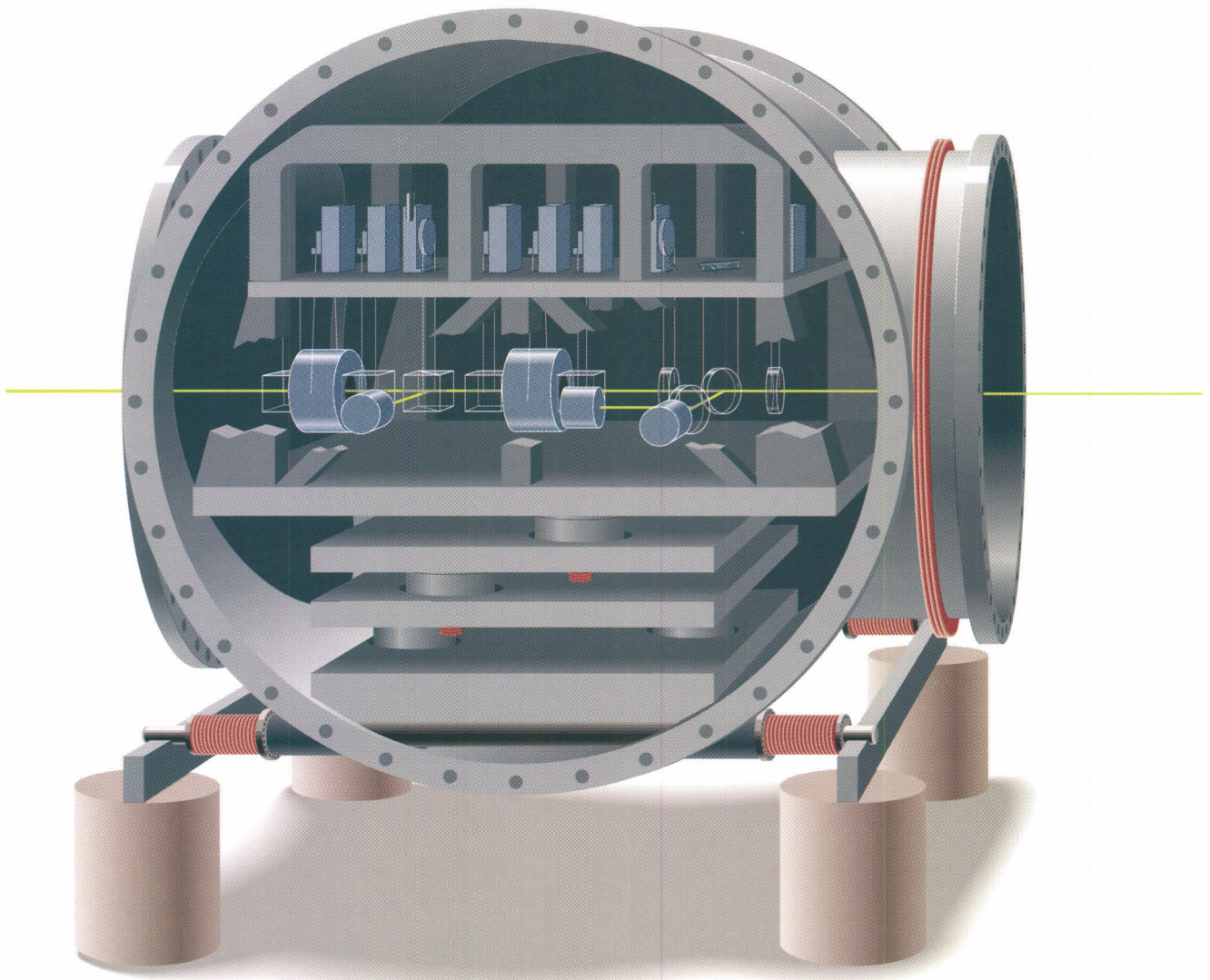
Module Chamber





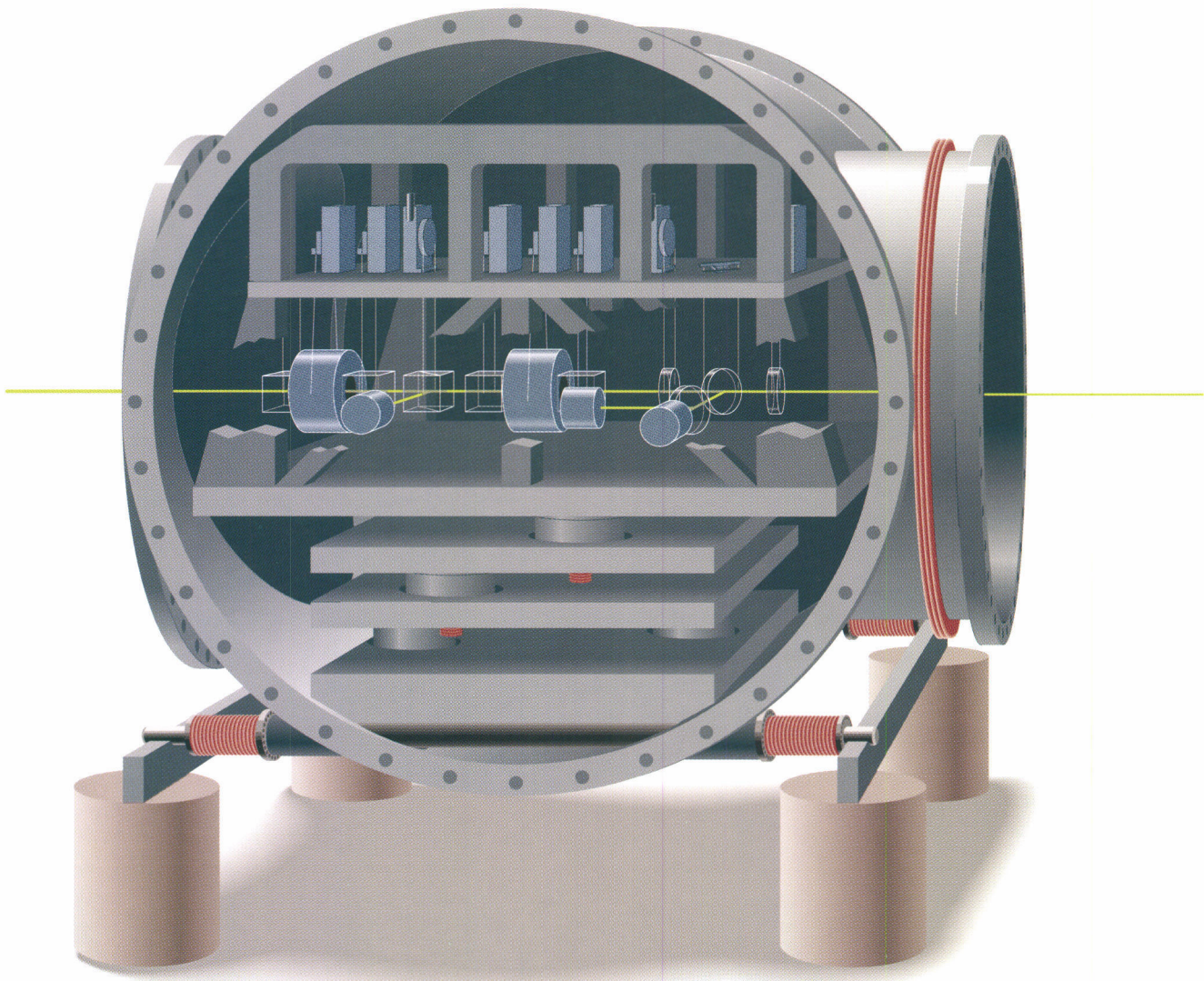
Rendering by J. Nils Lindstrom © 1989 Caltech

LIGO-G890004-00-R  
Schematic View of a Horizontal Access  
Module Chamber



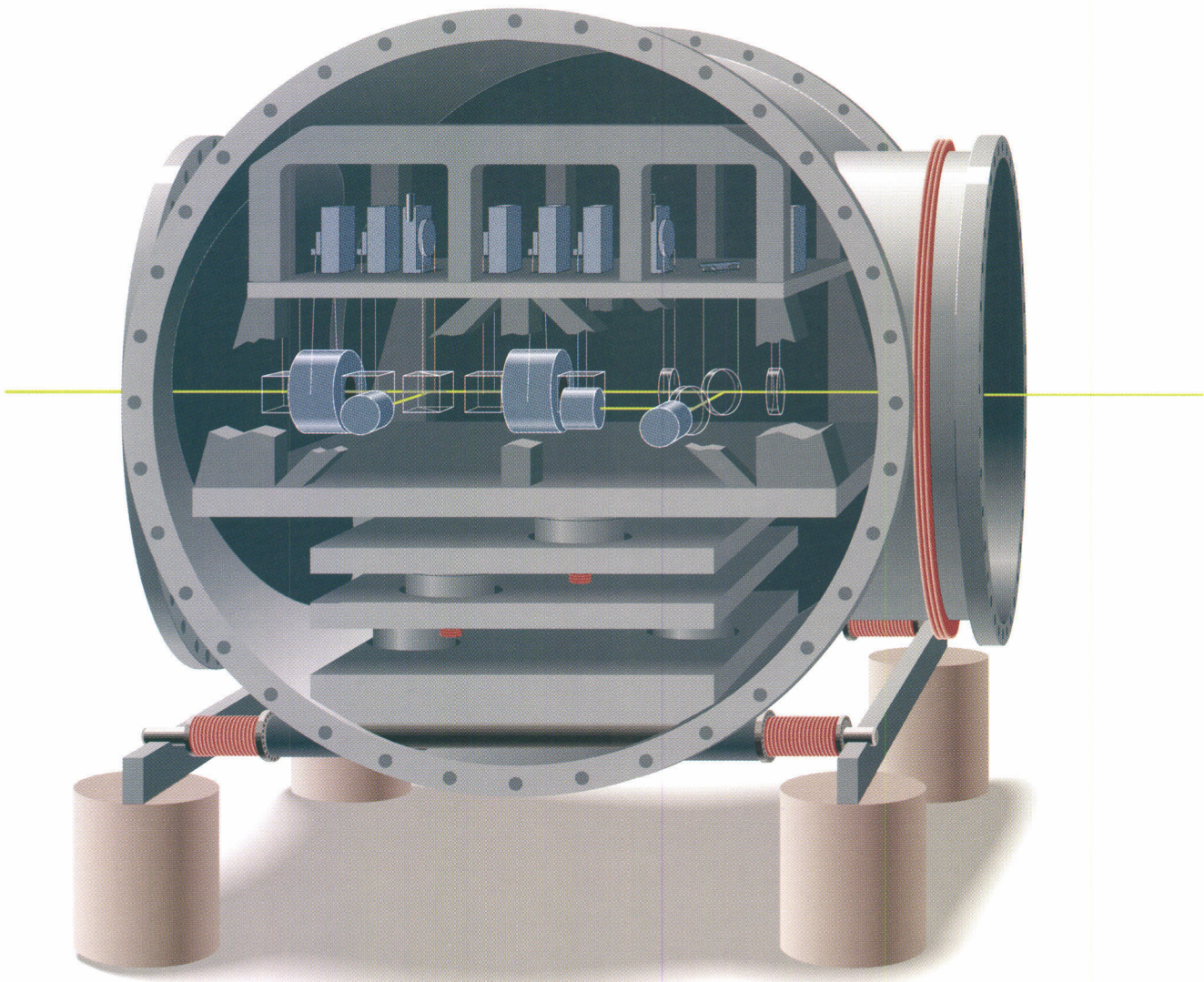
Rendering by J. Nils Lindstrom © 1989 Caltech

LIGO-G890004-00-R  
Schematic View of a Horizontal Access  
Module Chamber



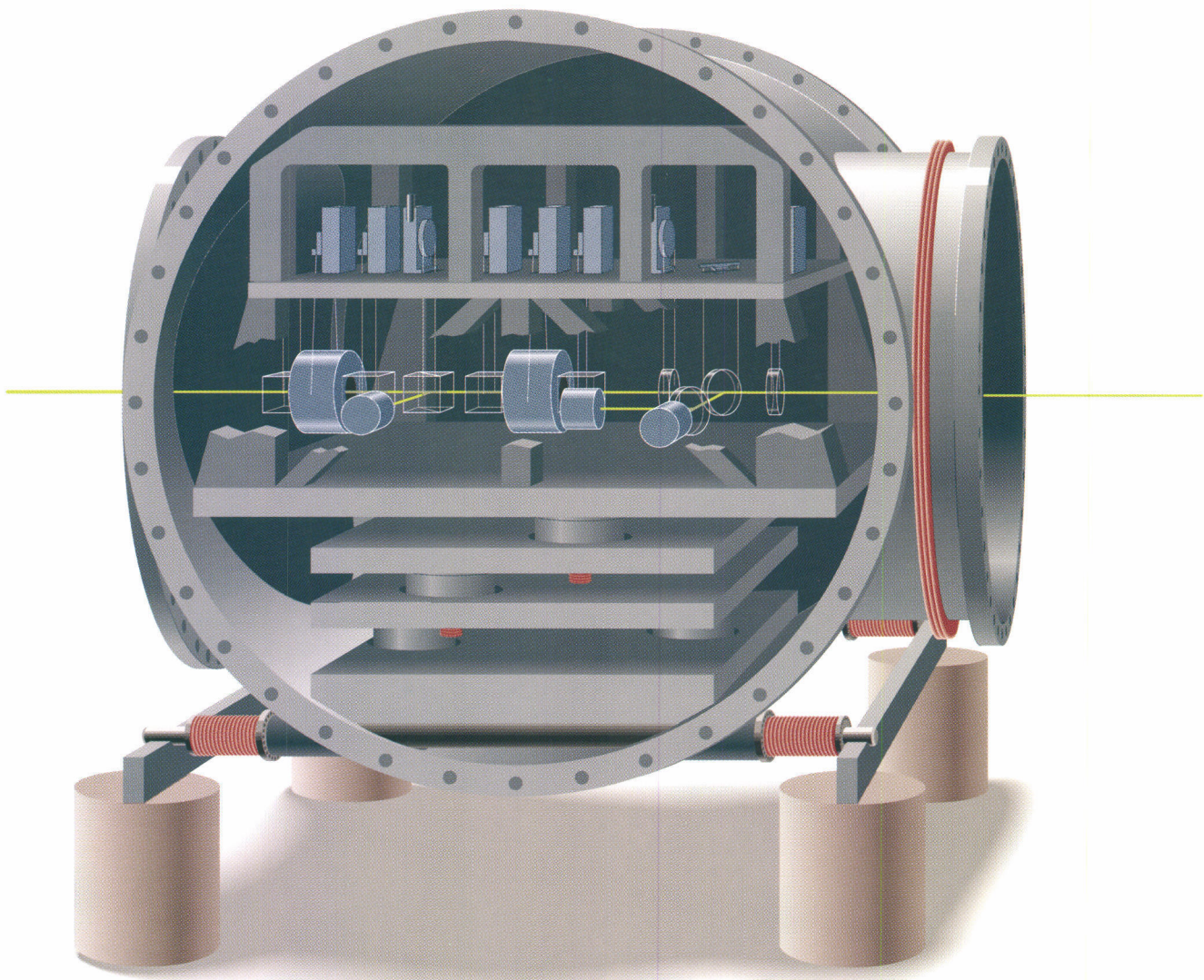
Rendering by J. Nils Lindstrom © 1989 Caltech

LIGO-G890004-00-R  
Schematic View of a Horizontal Access  
Module Chamber



Rendering by J. Nils Lindstrom © 1989 Caltech

LIGO-G890004-00-R  
Schematic View of a Horizontal Access  
Module Chamber

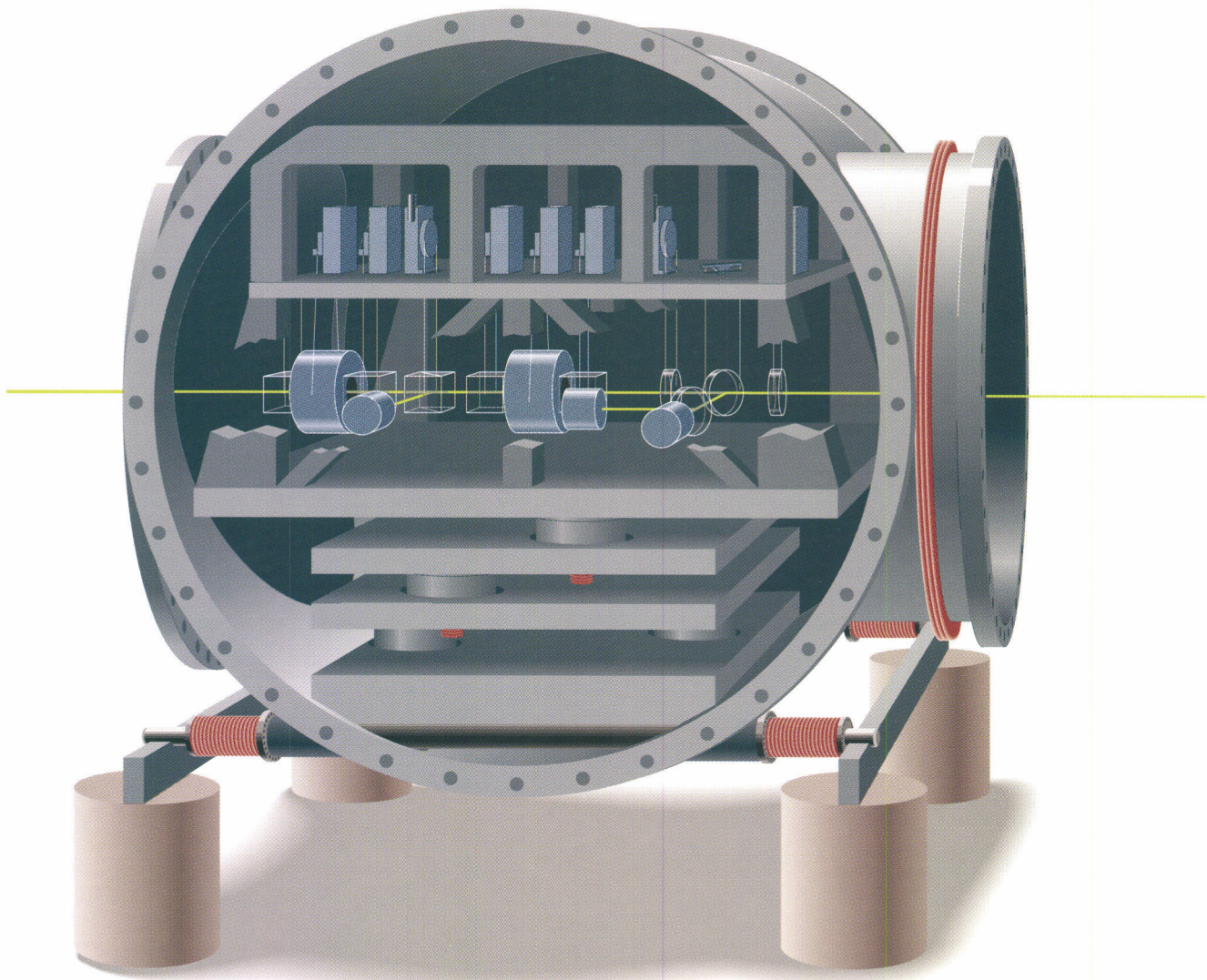


Rendering by J. Nils Lindstrom © 1989 Caltech

LIGO-G890004-00-R

Schematic View of a Horizontal Access

Module Chamber

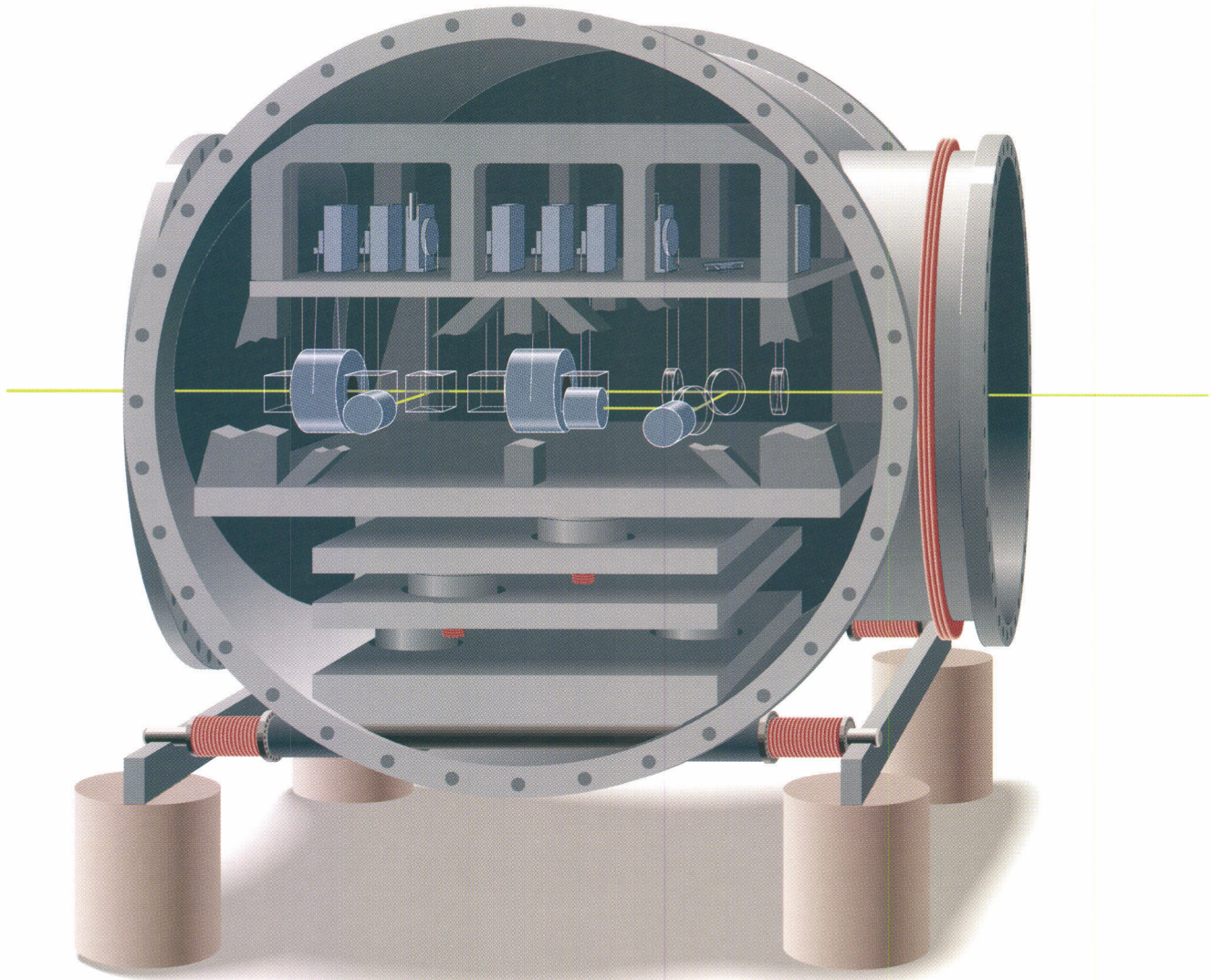


Rendering by J. Nils Lindstrom © 1989 Caltech

LIGO-G890004-00-R

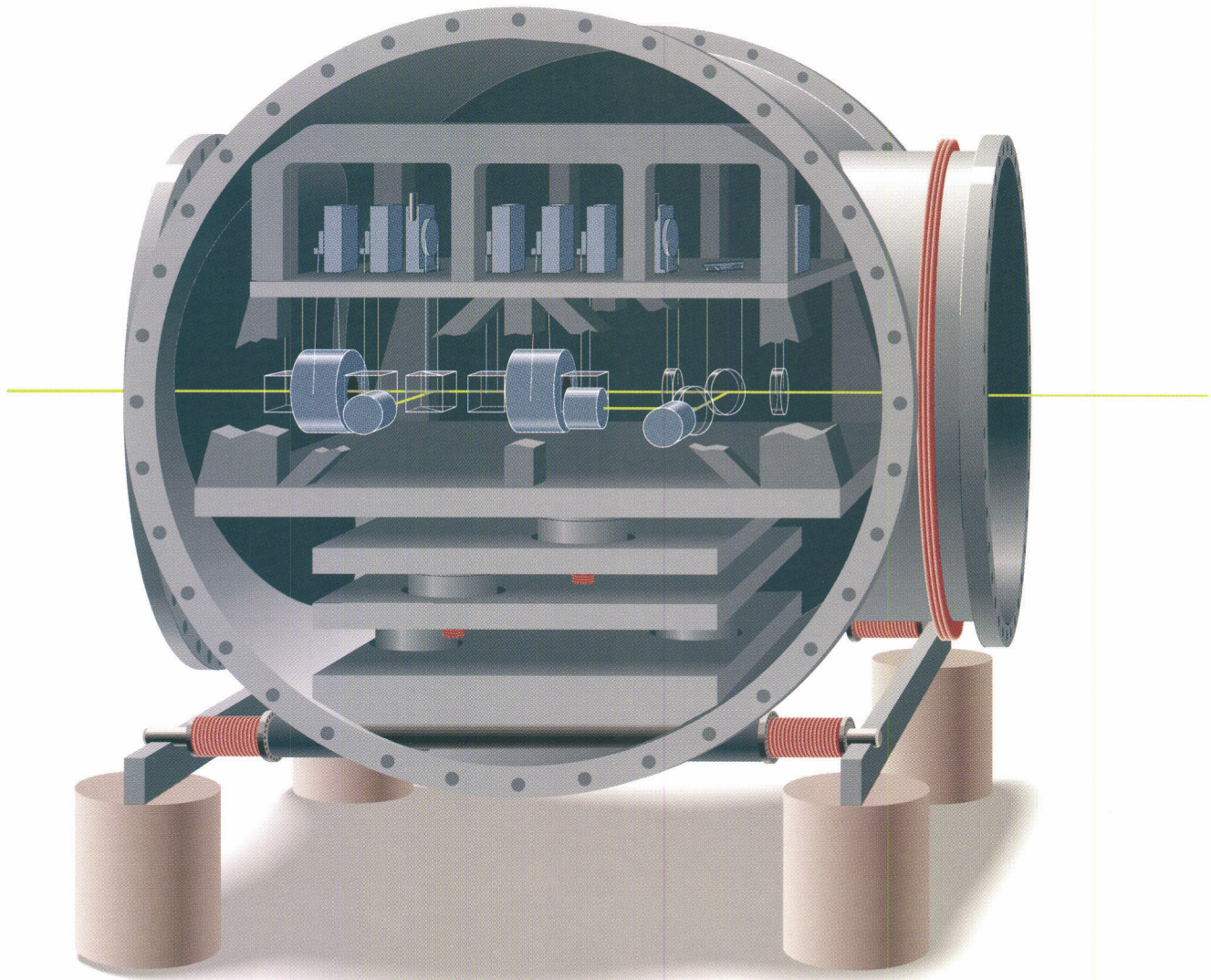
Schematic View of a Horizontal Access

Module Chamber



Rendering by J. Nils Lindstrom © 1989 Caltech

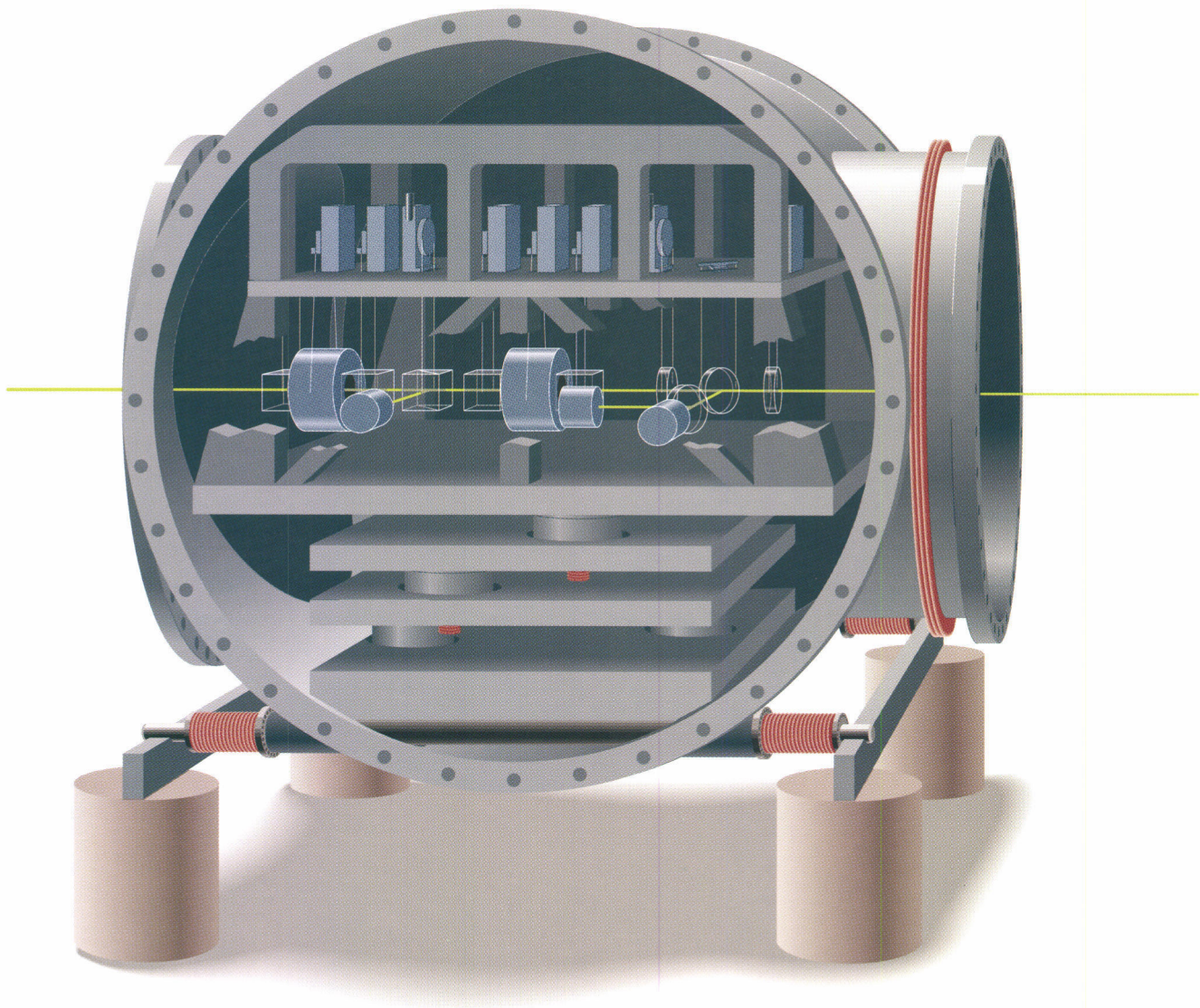
LIGO-G890004-00-R  
Schematic View of a Horizontal Access  
Module Chamber



Rendering by J. Nils Lindstrom © 1989 Caltech

LIGO-G890004-00-R  
Schematic View of a Horizontal Access  
Module Chamber



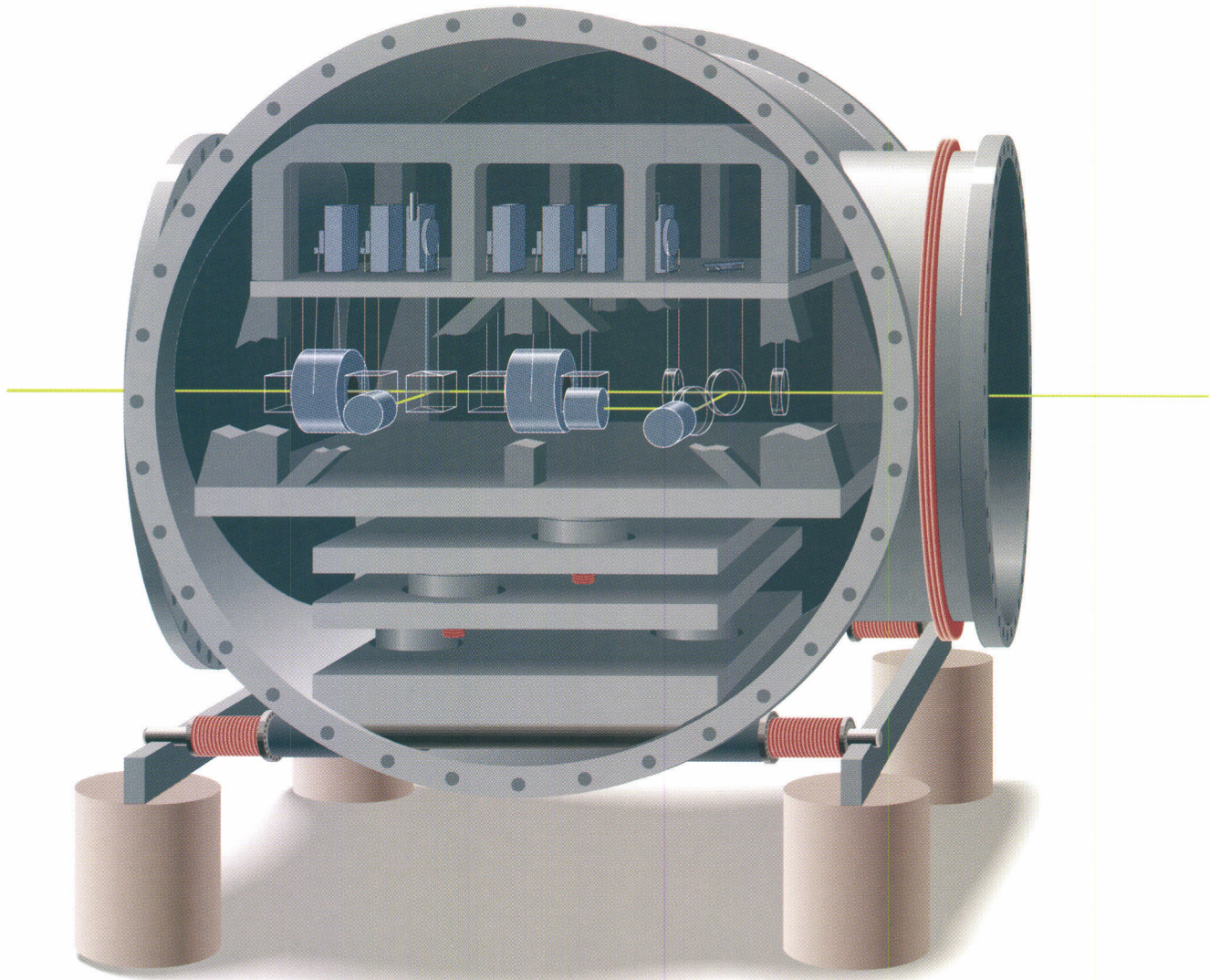


Rendering by J. Nils Lindstrom © 1989 Caltech

LIGO-G890004-00-R

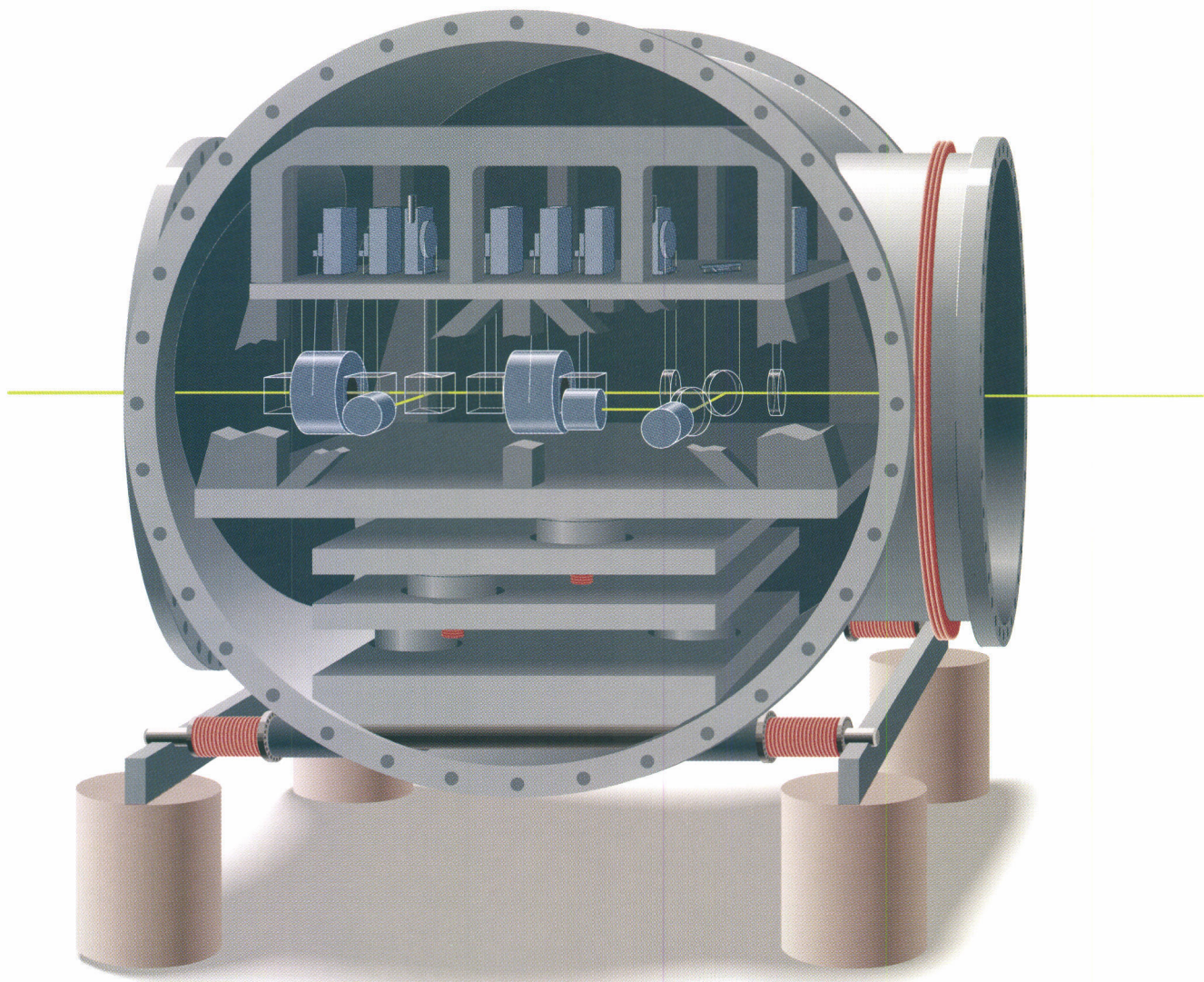
Schematic View of a Horizontal Access

Module Chamber



Rendering by J. Nils Lindstrom © 1989 Caltech

LIGO-G890004-00-R  
Schematic View of a Horizontal Access  
Module Chamber

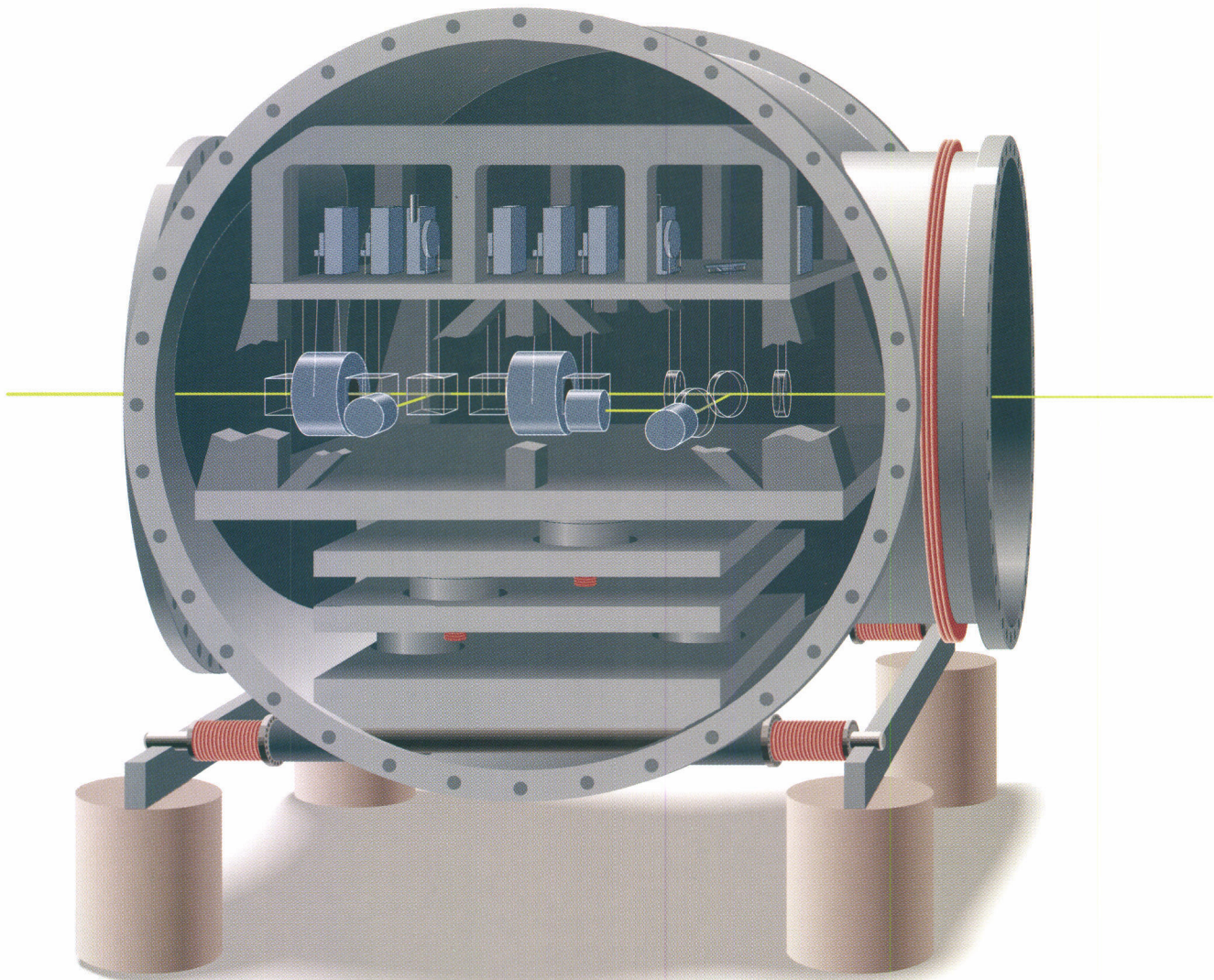


Rendering by J. Nils Lindstrom © 1989 Caltech

LIGO-G890004-00-R

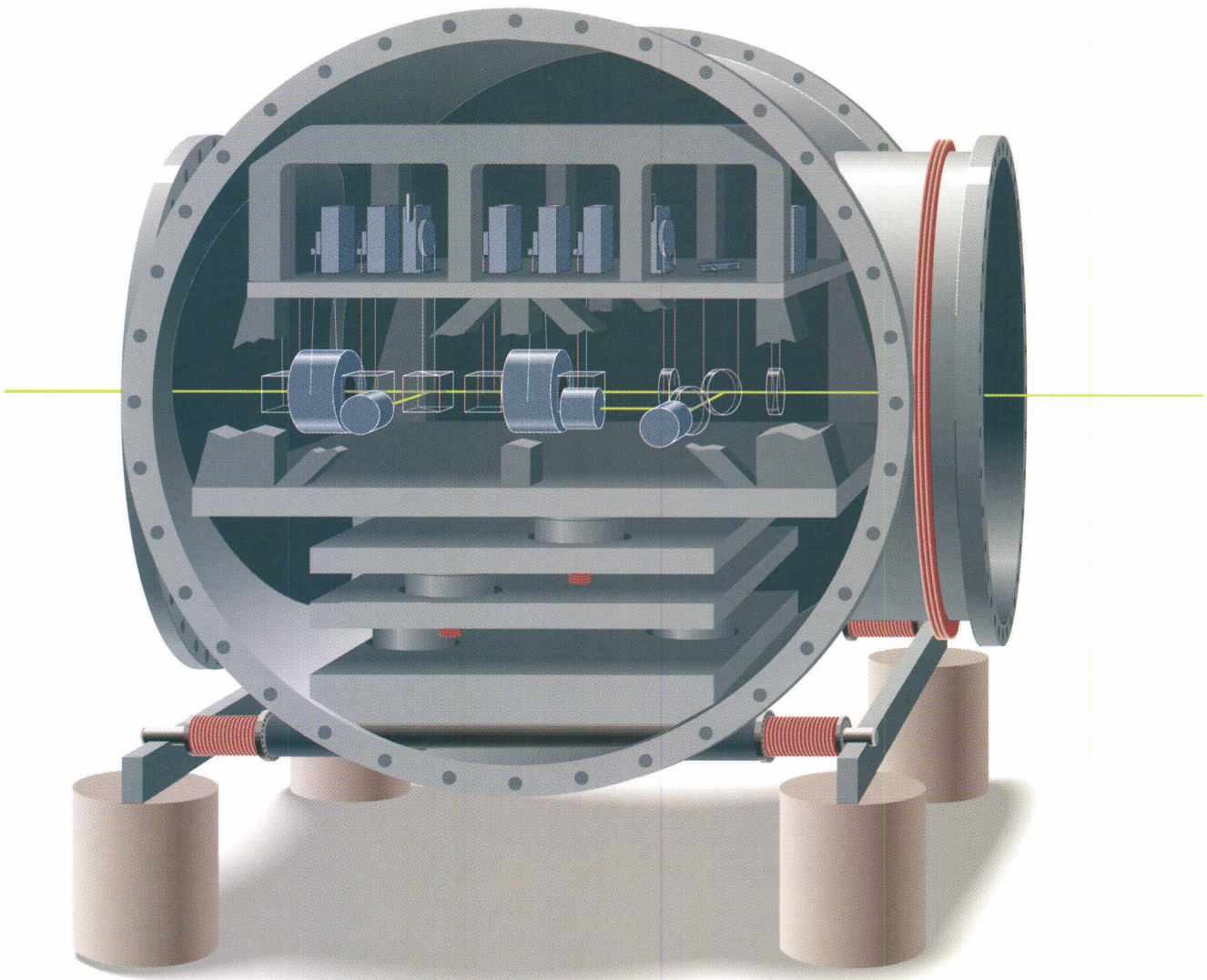
Schematic View of a Horizontal Access

Module Chamber



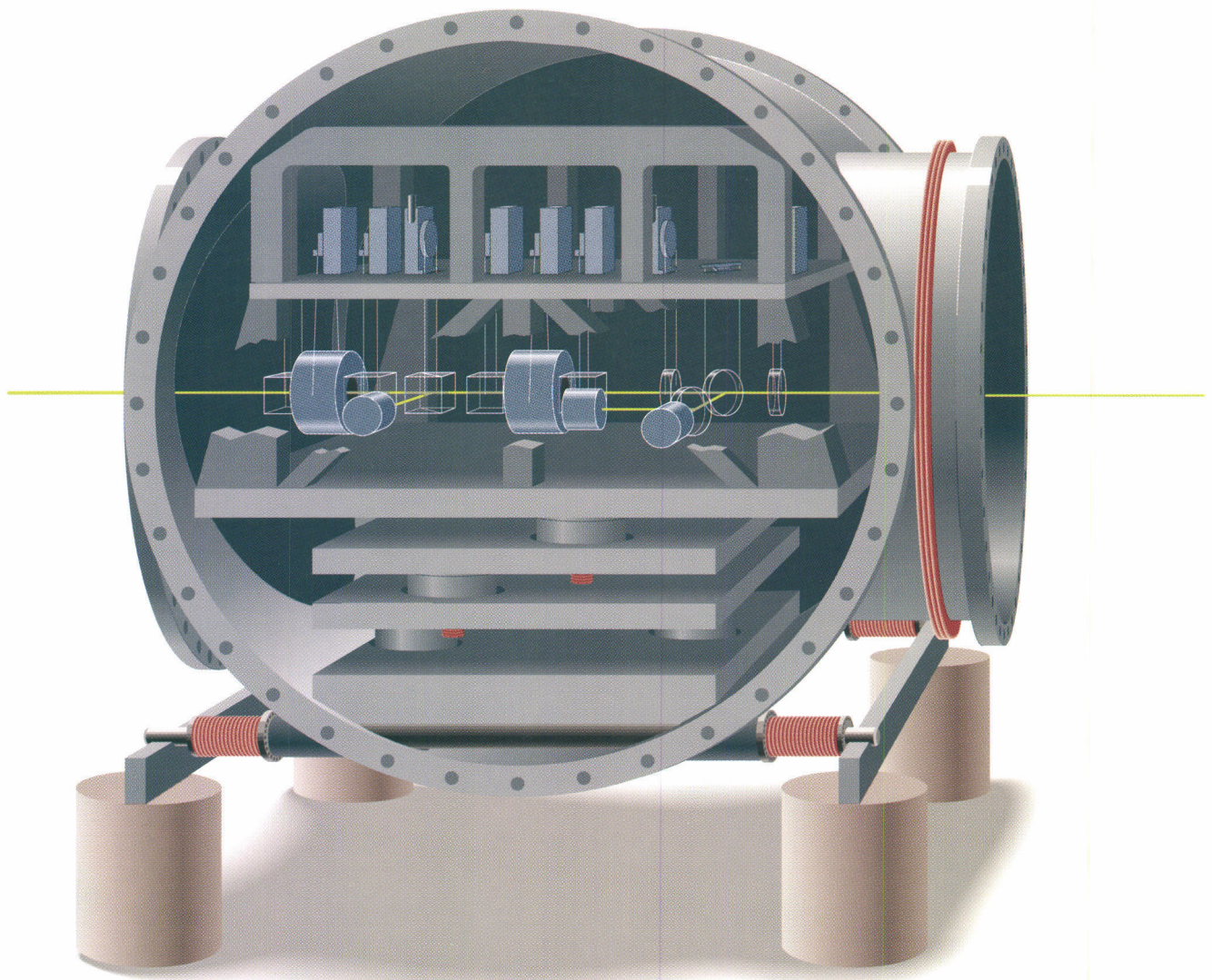
Rendering by J. Nils Lindstrom © 1989 Caltech

LIGO-G890004-00-R  
Schematic View of a Horizontal Access  
Module Chamber



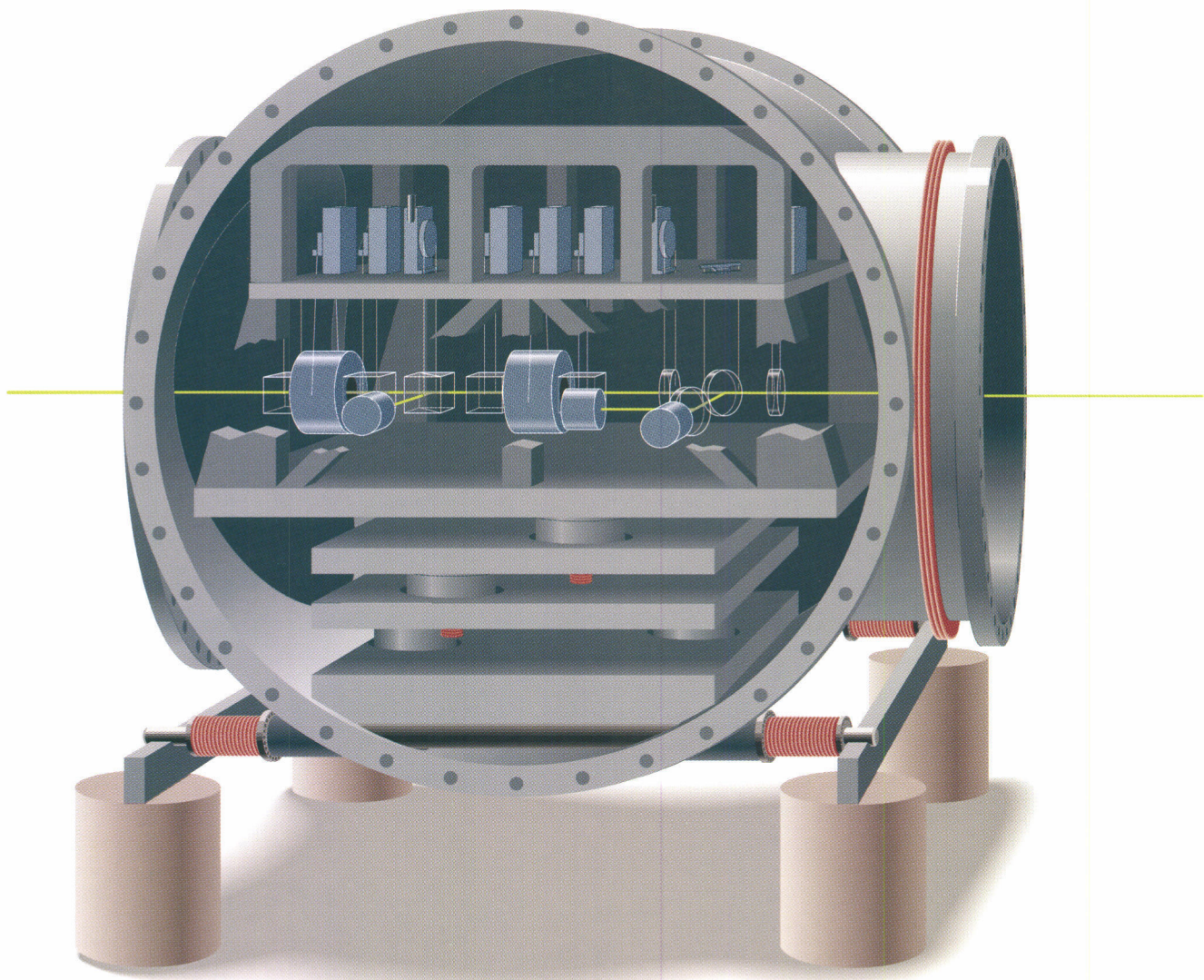
Rendering by J. Nils Lindstrom © 1989 Caltech

LIGO-G890004-00-R  
Schematic View of a Horizontal Access  
Module Chamber



Rendering by J. Nils Lindstrom © 1989 Caltech

LIGO-G890004-00-R  
Schematic View of a Horizontal Access  
Module Chamber

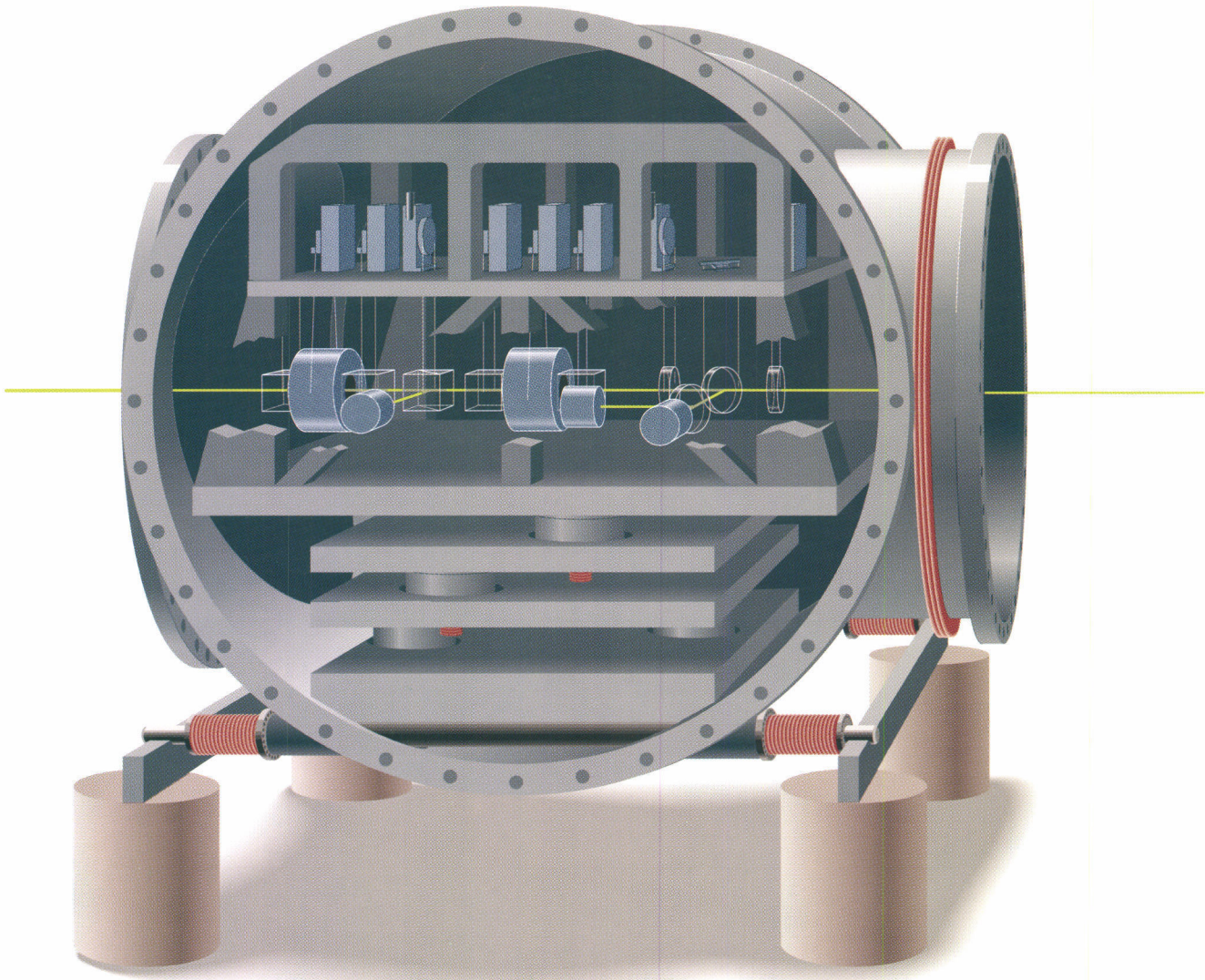


Rendering by J. Nils Lindstrom © 1989 Caltech

LIGO-G890004-00-R

Schematic View of a Horizontal Access

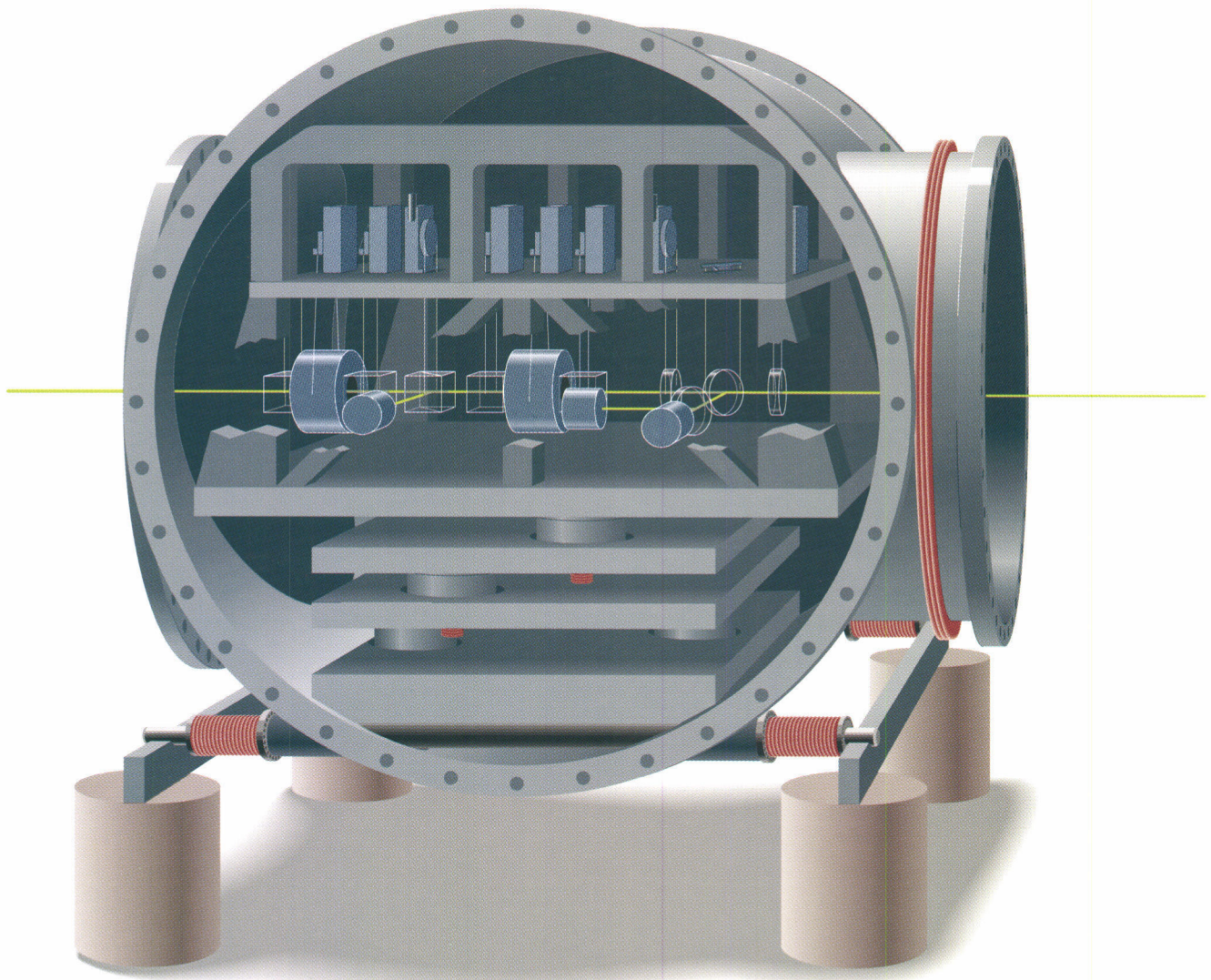
Module Chamber



Rendering by J. Nils Lindstrom © 1989 Caltech

LIGO-G890004-00-R  
Schematic View of a Horizontal Access  
Module Chamber



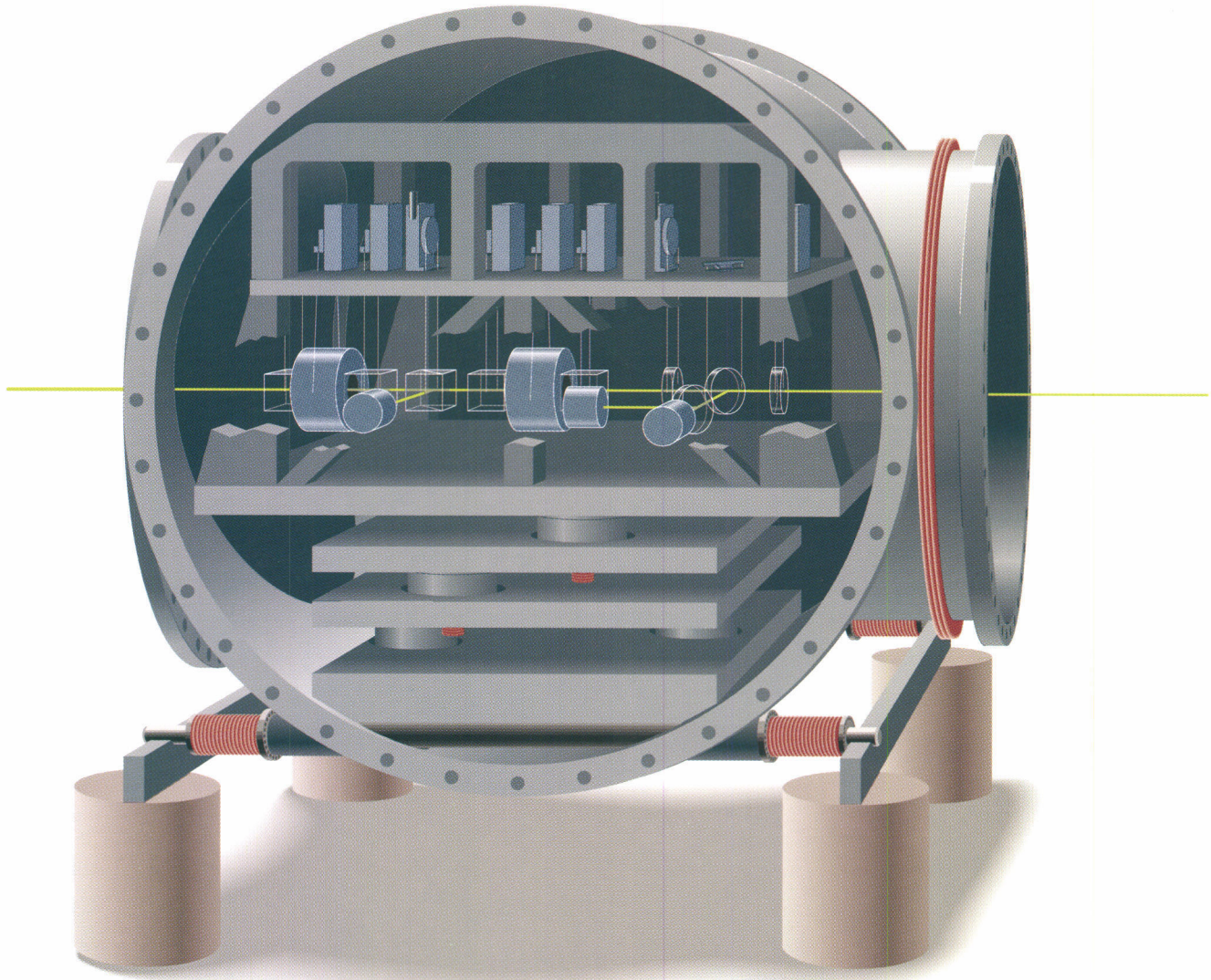


Rendering by J. Nils Lindstrom © 1989 Caltech

LIGO-G890004-00-R

Schematic View of a Horizontal Access

Module Chamber

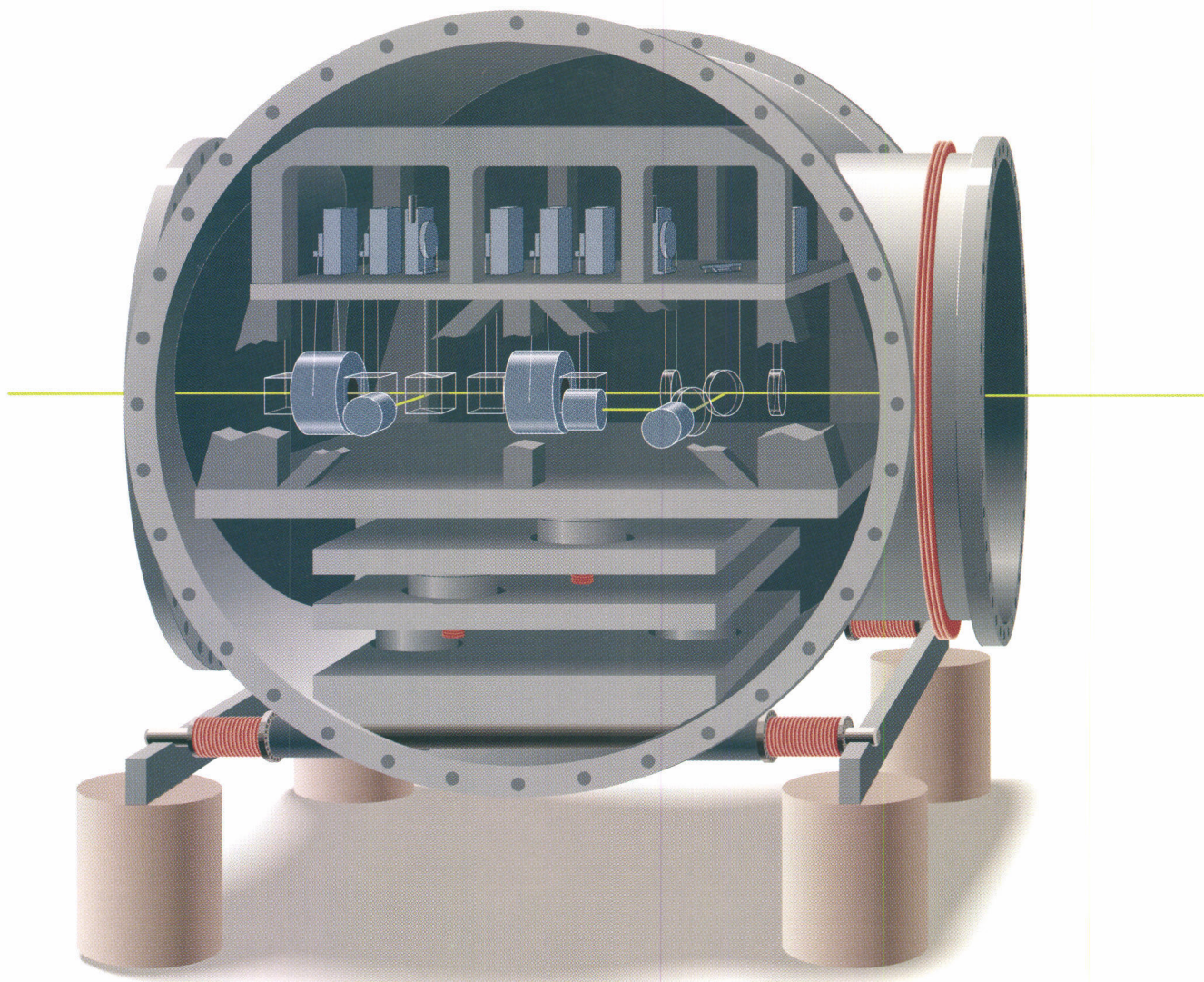


Rendering by J. Nils Lindstrom © 1989 Caltech

LIGO-G890004-00-R

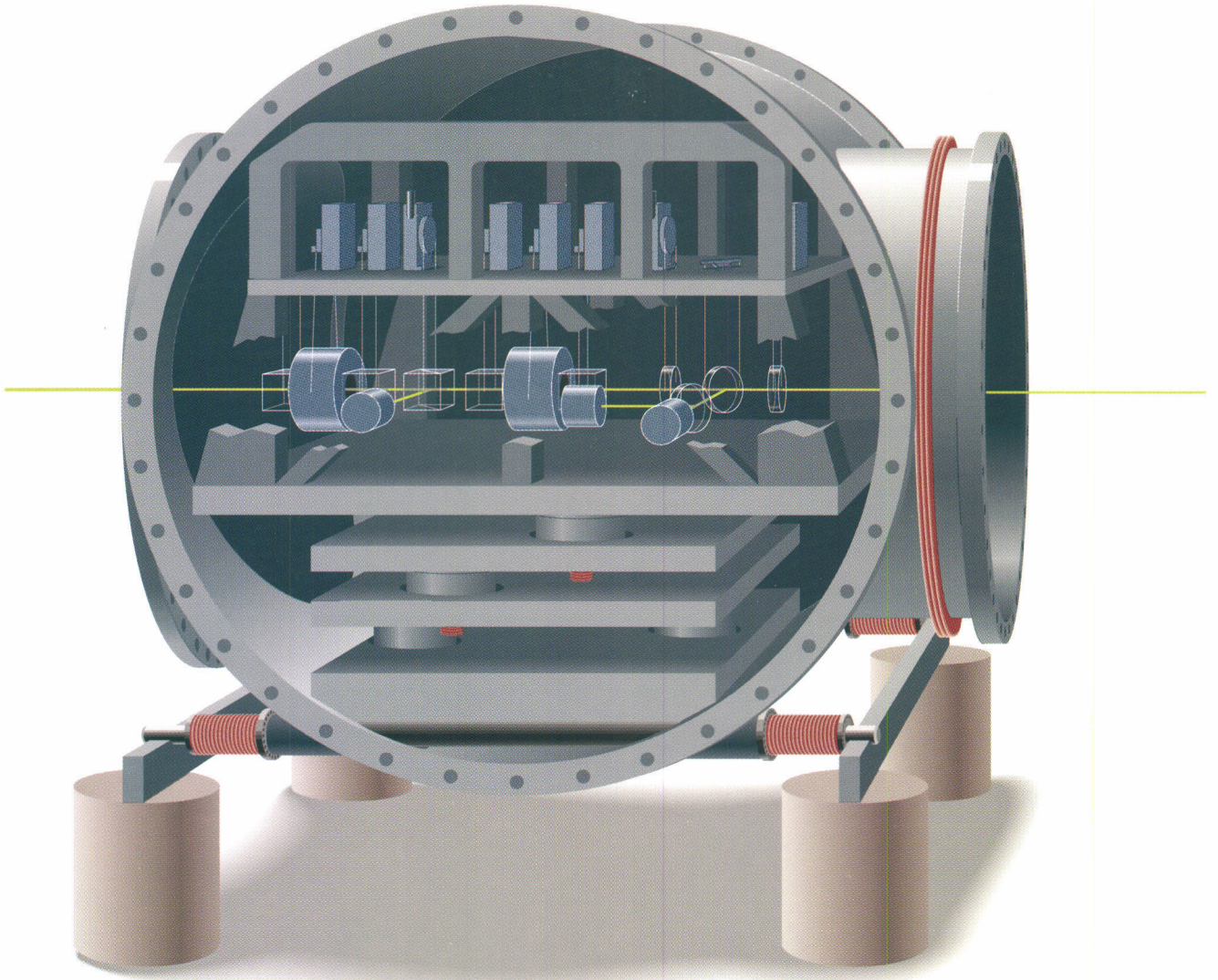
Schematic View of a Horizontal Access

Module Chamber



Rendering by J. Nils Lindstrom © 1989 Caltech

LIGO-G890004-00-R  
Schematic View of a Horizontal Access  
Module Chamber

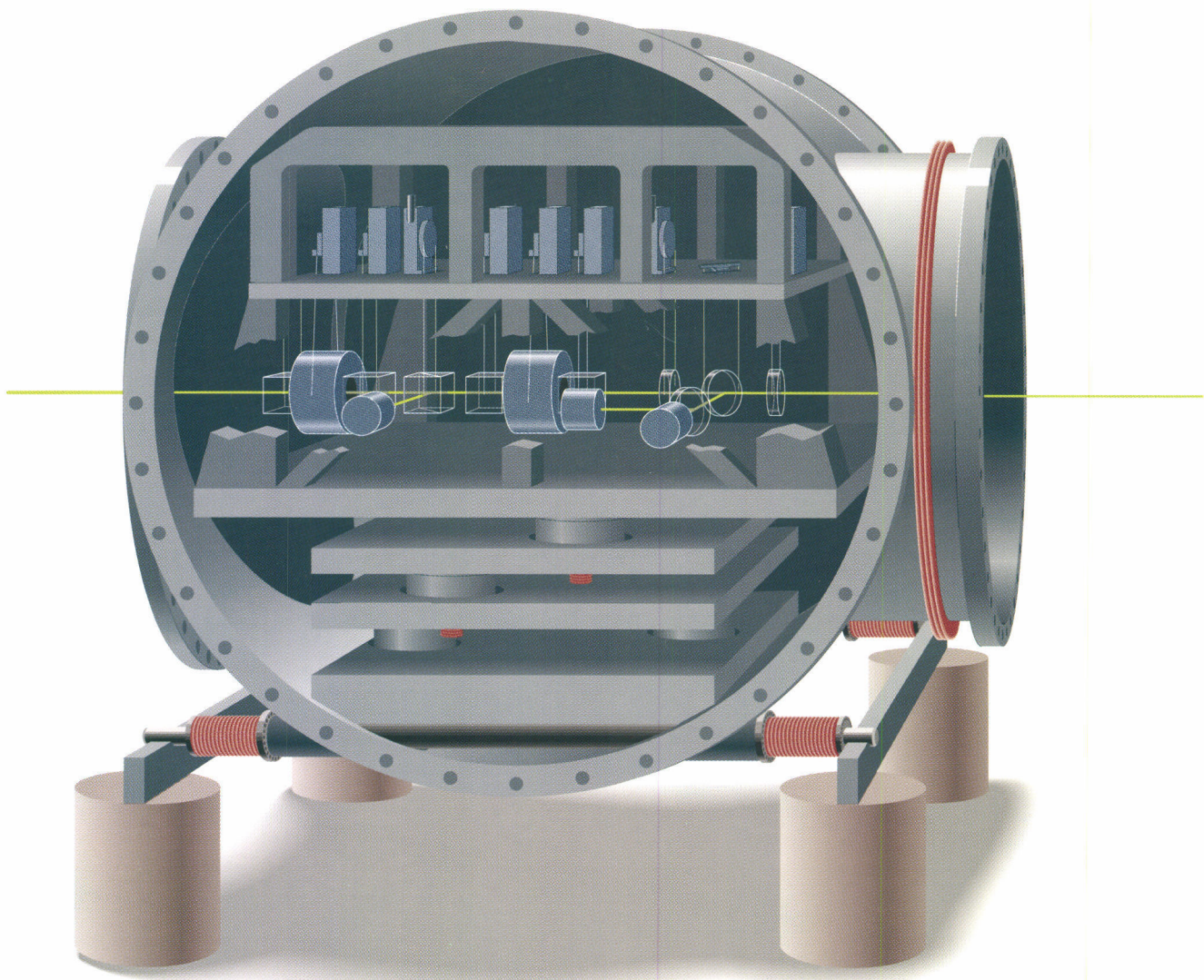


Rendering by J. Nils Lindstrom © 1989 Caltech

LIGO-G890004-00-R

Schematic View of a Horizontal Access

Module Chamber



Rendering by J. Nils Lindstrom © 1989 Caltech

LIGO-G890004-00-R  
Schematic View of a Horizontal Access  
Module Chamber