

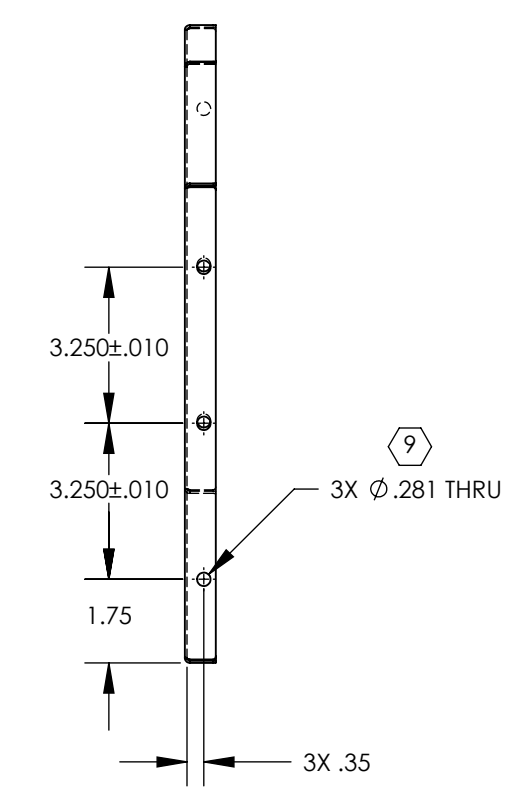
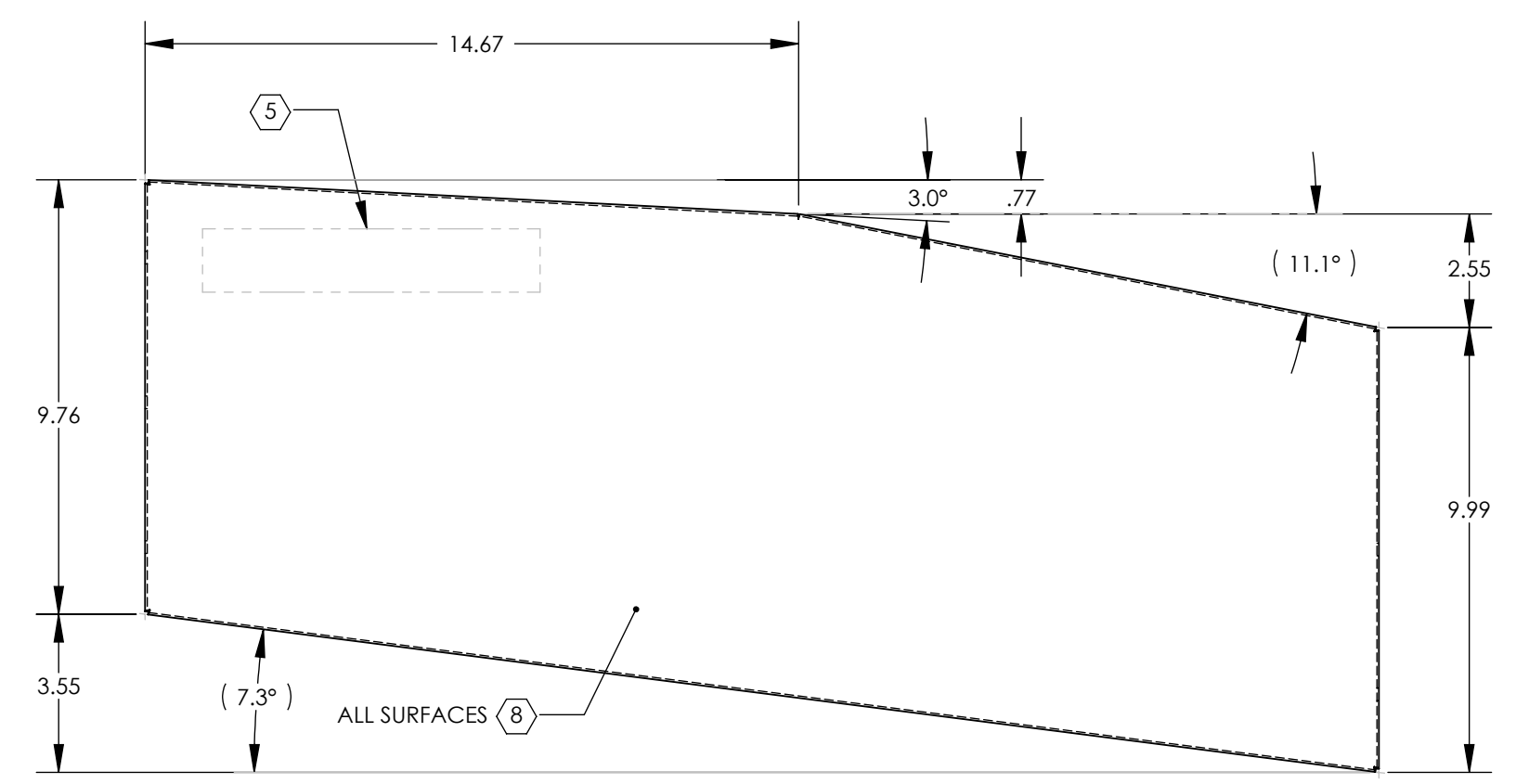
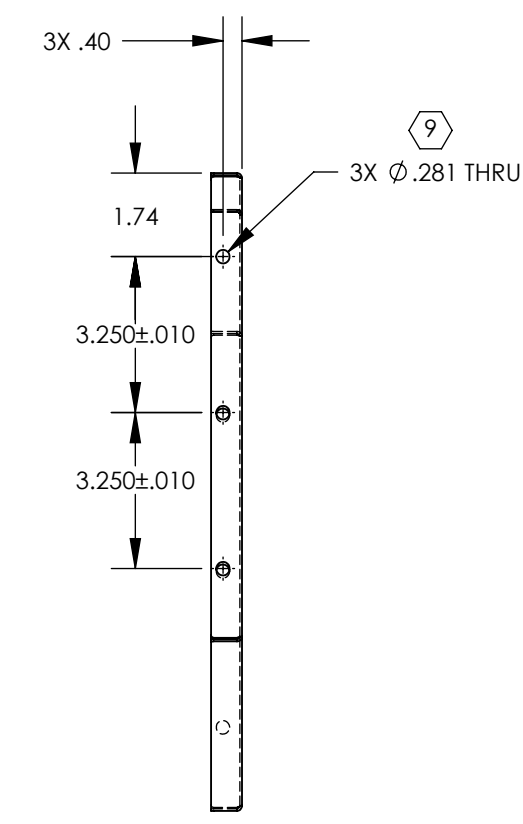
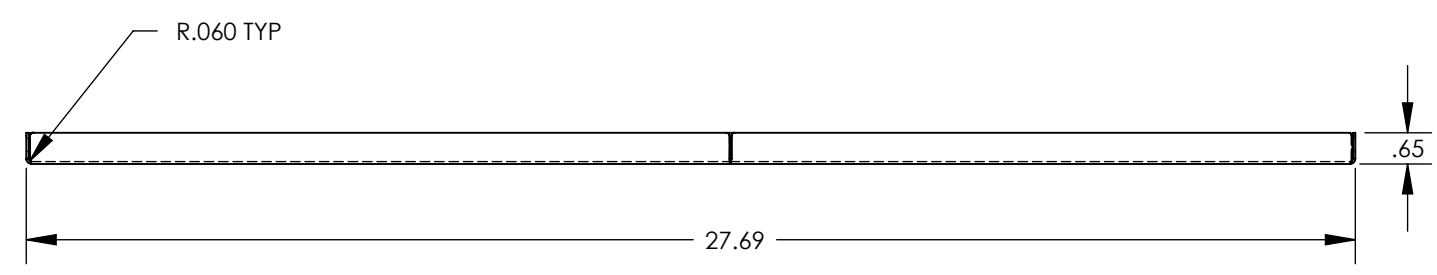
D1100354_AdlIGO_AOS_SLC_ACB Right Side Extender, PART PDM REV: X-013, DRAWING PDM REV: X-005

- NOTES CONTINUED:**
- ⑤ MECHANICALLY STAMP (NO INKS OR DYES) PART NUMBER, REVISION AND SERIAL NUMBER .20 DEEP WITH MINIMUM CHARACTER HEIGHT .156 APPROXIMATELY WHERE SHOWN. SERIAL NUMBER WILL START AT 001 AND PROCEED CONSECUTIVELY. EXAMPLE: D100XX-V1
S/N 001
 - 6. ALL PARTS SHALL BE MANUFACTURED IN ACCORDANCE WITH LIGO SPECIFICATION E0900364.
 - 7. ALL MATERIAL IS TO BE VIRGIN MATERIAL (i.e. NO WELD REPAIRS, PLUGS OR RECYCLED MATERIAL). NO REPAIRS SHALL BE MADE UNLESS APPROVED IN ADVANCE, AND IN WRITING, BY LIGO LABORATORY. REFER TO LIGO-E0900364.
 - ⑧ SURFACE FINISH TO BE AS-PROCESSED FROM MILL/SUPPLIER, FREE FROM SCRATCHES OR GOUGES.
 - ⑨ PART WILL BE PORCELAIN COATED PER LIGO SPECIFICATION E1000083 AFTER FABRICATION. THE INDICATED HOLES & SLOTS WILL BE MASKED PRIOR TO PORCELAIN COATING TO APPROXIMATELY 2.5-3X HOLE & SLOT CENTERED ON BOTH SIDES OF THE HOLE & SLOT.
 - 10. DIMENSIONS APPLY BEFORE PORCELAIN COATING UNLESS SPECIFIED.

REV.	DATE	DCN #	DRAWING TREE #
v1	14 MAR 2011	-	-
v2	07 APR 2011	E1100216	-
-	-	-	-

D
C
B
A

D
C
B
A



NOTES AND TOLERANCES: (UNLESS OTHERWISE SPECIFIED)				LIGO CALIFORNIA INSTITUTE OF TECHNOLOGY MASSACHUSETTS INSTITUTE OF TECHNOLOGY		PART NAME	
DIMENSIONS ARE IN INCHES TOLERANCES: .XX ± .03 .XXX ± .015 ANGULAR ± 1.0°				1. INTERPRET DRAWING PER ASME Y14.5-1994. 2. REMOVE ALL SHARP EDGES, .005-.015, FOR MACHINED PARTS. ROUND ALL EDGES APPROXIMATELY R.02 FOR SHEET METAL PARTS. 3. DO NOT SCALE FROM DRAWING. 4. ALL MACHINING FLUIDS MUST BE FULLY SYNTHETIC, FULLY WATER SOLUBLE AND FREE OF SULFUR, SILICONE, AND CHLORINE.		ACB RIGHT SIDE EXTENDER	
MATERIAL 18 GA ENAMEL STEEL A424		FINISH ⑧ ⑨		SYSTEM ADVANCED LIGO		SUB-SYSTEM AOS	
NEXT ASSY D1100359				DESIGNER N. Nguyen 24 Feb 2011		SIZE DWG. NO. B D1100354	
				DRAFTER N. KILPATRICK 13 MAR 2011		REV. v2	
				CHECKER		SCALE: 1:4 PROJECTION:	
				APPROVAL		SHEET 1 OF 1	

8 7 6 5 4 3 2 1