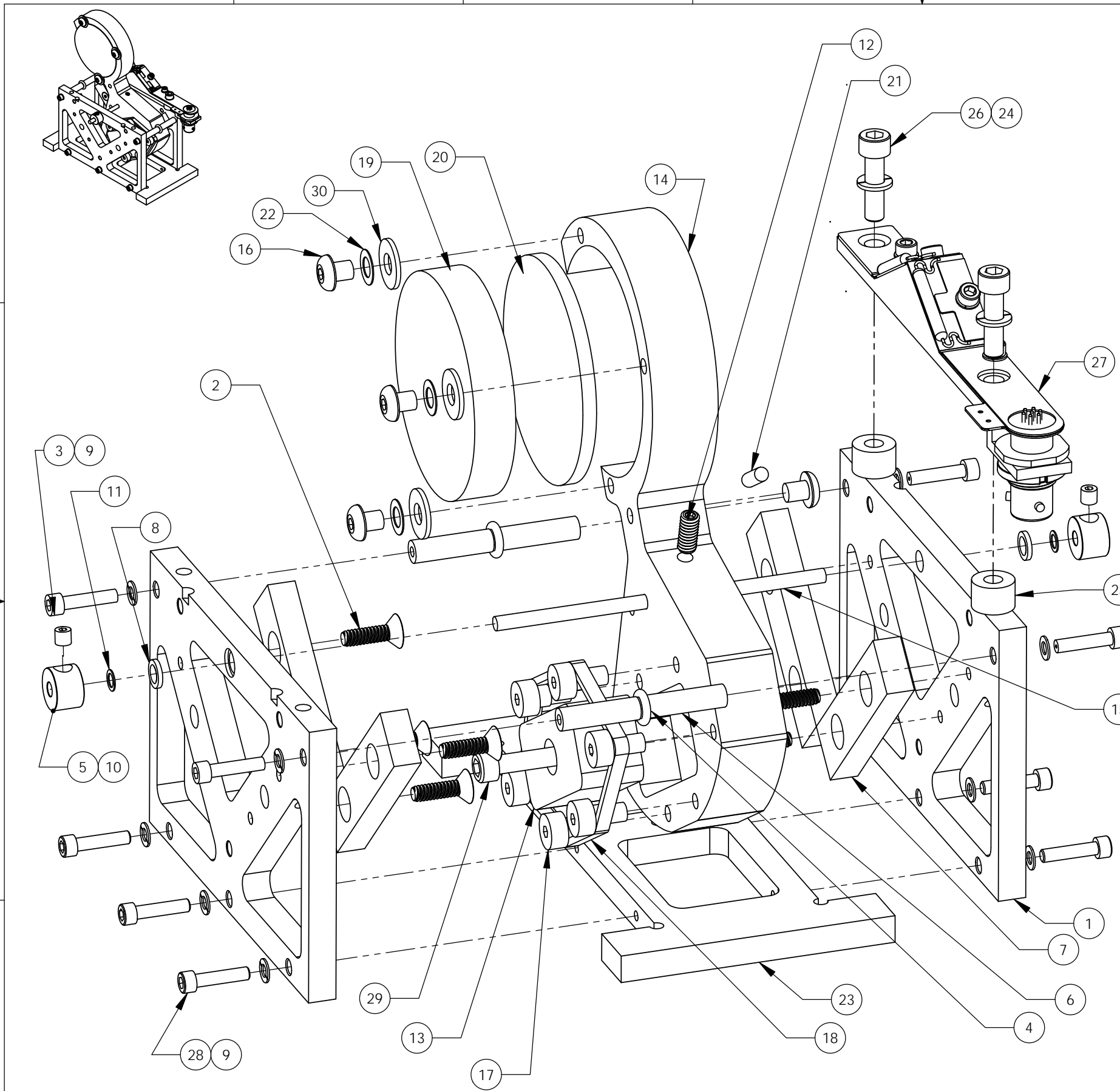


D1100642\_ISC\_Rotary\_Beam\_Diverter, PART PDM REV: X-038, DRAWING PDM REV: X-006



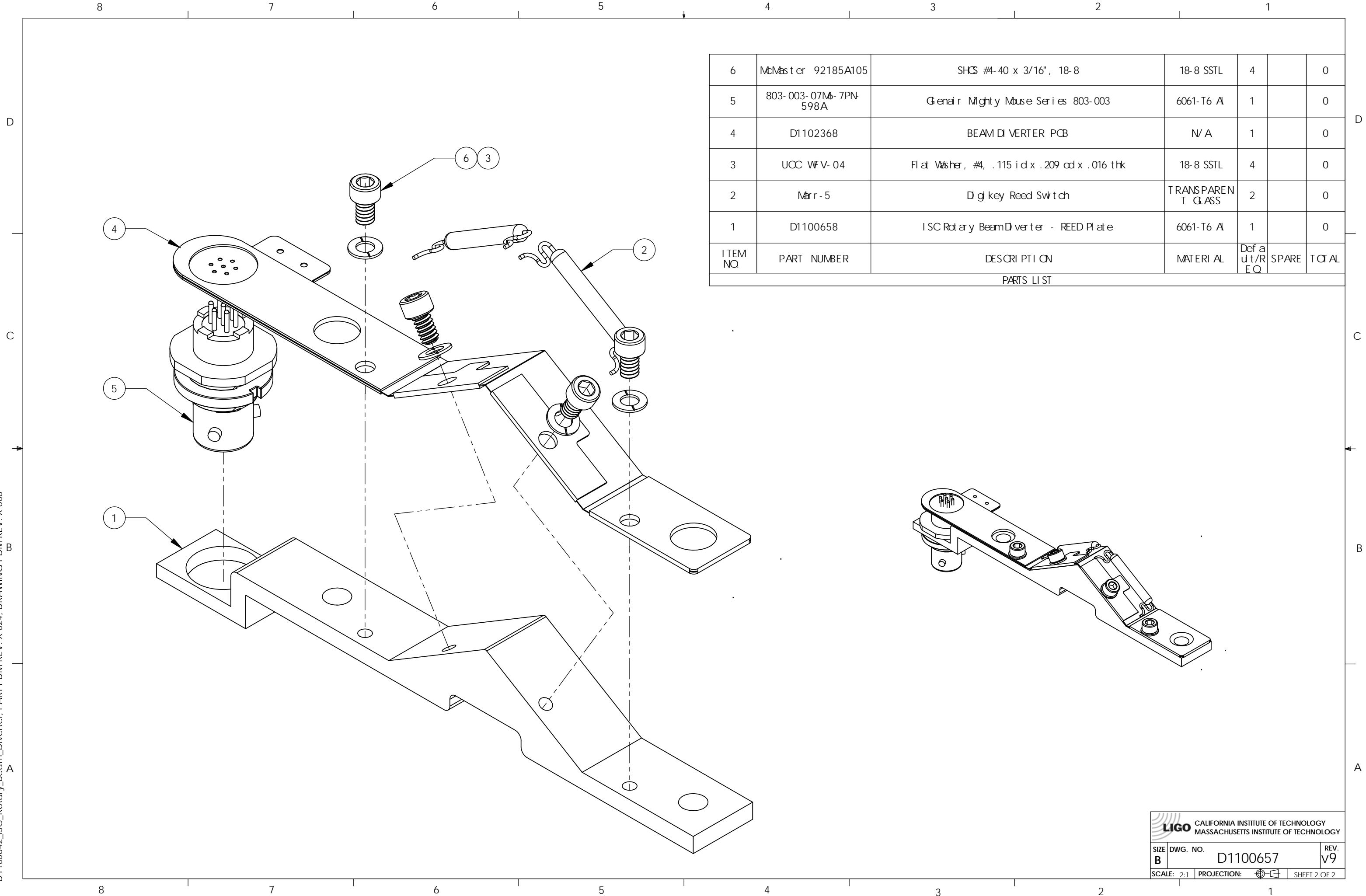
REV.	DATE	DCN #	DRAWING TREE #
v8	8/30/2012	E1200796	-
v9	-	-	-
-	-	-	-

ITEM NO	PART NUMBER	DESCRIPTION	MATERIAL	Left/Right/EQ
30	McMaster 95630A238	Flat Washer #8 Screw Size, 7/16" OD, .03"-.07" Thick, PEEK	PEEK	3
29	McMASTER 92200A196	SHCS #8-32 X 0.625	300 SSSL	1
28	McMASTER 92200A110	SHCS #4-40 x 1/2" 300 Series SST	300 SSSL	6
27	D1100657	ISC Rotary Beam Diverter - REED Assembly	N/A	1
26	UCC_C-808-NA	SHCS, 8-32X.625, 18-8, Ag Vented	18-8 SS	2
25	McMASTER_92510A622	Spacer 3/8" OD, 1/4" Length, for #8 Screw AL	6061-T6 AL	2
24	UC_COMPONENTS_WFV-08	Washer Vented, .17 ID X .304 OD X .032 THK #8	18-8 SS	2
23	D1100646	ISC Rotary Beam Diverter - Base Plate	6061-T6 AL	1
22	99842A111	McMaster #8 Wave Washer	18-8 SSSL	3
21	D26 Op	K&J Magnetics 0.125" Cylinder Magnet, NdFeB	NdFeB	1
20	D1100046	ISC - 2" DIAMETER BLACK GLASS OPTIC	TRANSPARENT GLASS	1
19	See E1100048	Mirror, "Ø Flat/Flat high reflector @1064nm	Glass	1
18	MS Industries 32HML	10 Ohm Cu wire coil, 32 AWG, ~100 turns (19 meters)	Copper	1
17	McMaster 92012A201	SHCS #8-32 x 1/8" L, 3/16" OD Shoulder, 18-8	18-8 SSSL	6
16	McMaster 92949A189	BSHCS #8-32 x 3/16" Button Head	18-8 SSSL	4
15	171204310	Shaft - Vermont Gage 171204310 Custom Rod	304 SSSL	1
14	D1100643	ISC Rotary Beam Diverter - Rotary Holder	6061-T6 AL	1
13	D1100656	ISC Rotary Beam Diverter - Counter Weight	304 SSSL	1
12	McMaster 91979A411	Set Screw #8-32 x 3/8" 18-8 Cup Point Vented	18-8 SSSL	1
11	90917A428	McMaster 0.125" Shim Washer	316 SSSL	2
10	UCC_T-602-NA	SSS Cup Point, #6-32 x 1/8" Ag 18-8	18-8 SSSL	2
9	UCC_WFV-04	Flat Washer, #4, .115 ID X .209 OD X .016 THK	18-8 SSSL	10
8	22589	Bird Rotary Dive Jewel Bearing	Glass	2
7	BY084DCS	K&J Countersunk Bar Magnet, nickel coated NdFeB	NdFeB	4
6	D1100910	#4-40 Threaded Spacer Rod	ALSI 304	2
5	McMaster 6462K17	Shaft Collar, 1/8" ID 3/8" OD 1/4" Wdg, 303 SST,	300 SSSL	2
4	1201T18	McMaster 3/16" I.D. O Ring: AS568A Dash Number 008	FLUOROELASTOMER	2
3	UCC_C-408-A	SHCS #4-40 x 1/2" 18-8 Ag Vented	18-8 SSSL	4
2	9221A148	#6-32 X 0.50" Flat Head Cap Screw	18-8 SSSL	8
1	D1100645	ISC Rotary Beam Diverter - Magnet Keeper	416 SSSL	2

NOTES AND TOLERANCES: (UNLESS OTHERWISE SPECIFIED)

MATERIAL		FINISH		PART NAME	
N/A		N/A		ISC Rotary Beam Diverter	
NEXT ASSY		DESIGNER		DATE	
HAMS 1 & 6, TMS		S. WALDMAN		11 MAR 2011	
		DRAFTER		DATE	
		S. FOLEY		9 NOV 2011	
		CHECKER		DATE	
		SBARNUM		25 JAN 2013	
		APPROVAL		SCALE: 1:2	
		PFRITSCHER		PROJECTION:	
				SHEET 1 OF 2	

D1100642\_ISC\_Rotary\_Beam\_Diverter, PART PDM REV: X-024, DRAWING PDM REV: X-006



ITEM NO	PART NUMBER	DESCRIPTION	MATERIAL	Def a Ut/R EO	SPARE	TOTAL
6	McMaster 92185A105	SHCS #4-40 x 3/16", 18-8	18-8 SSTL	4		0
5	803-003-07M6-7PN-598A	Genie r Mighty Muse Series 803-003	6061-T6 AL	1		0
4	D1102368	BEAM DIVERTER PCB	N/A	1		0
3	UCC WFV-04	Flat Washer, #4, .115 id x .209 od x .016 thk	18-8 SSTL	4		0
2	Mrr-5	Digi key Reed Switch	TRANSPARENT GLASS	2		0
1	D1100658	ISC Rotary Beam Diverter - REED Plate	6061-T6 AL	1		0
PARTS LIST						

CALIFORNIA INSTITUTE OF TECHNOLOGY  
 MASSACHUSETTS INSTITUTE OF TECHNOLOGY

SIZE	DWG. NO.	REV.
B	D1100657	V9
SCALE: 2:1	PROJECTION:	SHEET 2 OF 2