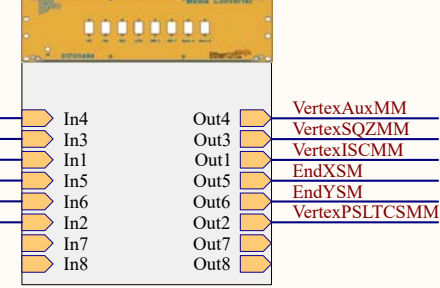


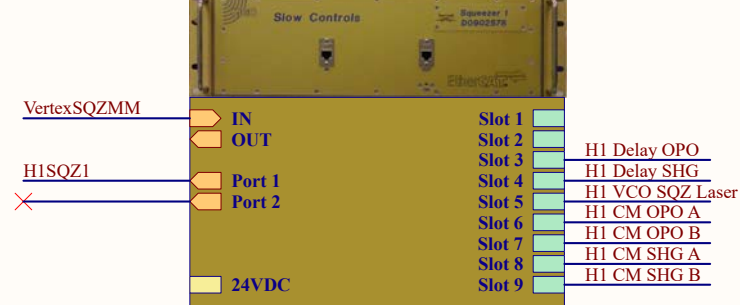
H1 EtherCAT Computer Corner
Xeon 2U, 6-core, 2.66GHz



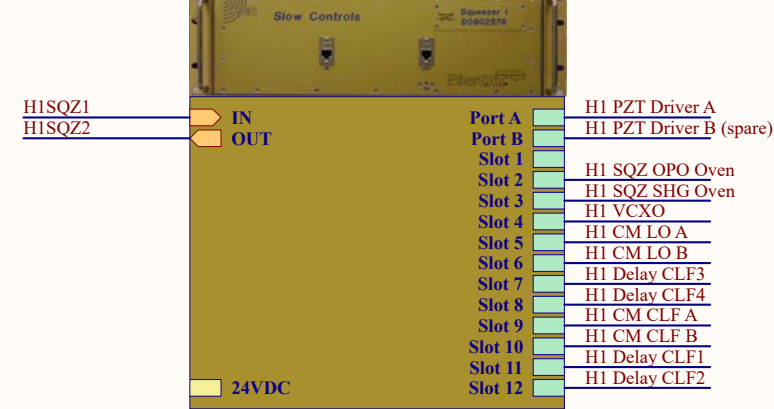
H1 EtherCAT media converter
D1700494-v1



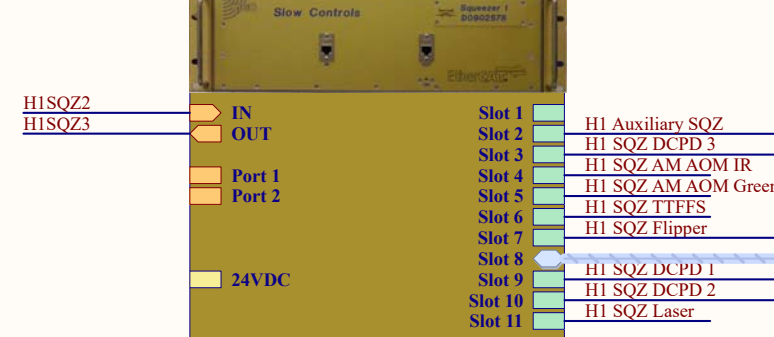
H1 SQZ 1
D1002961-v2



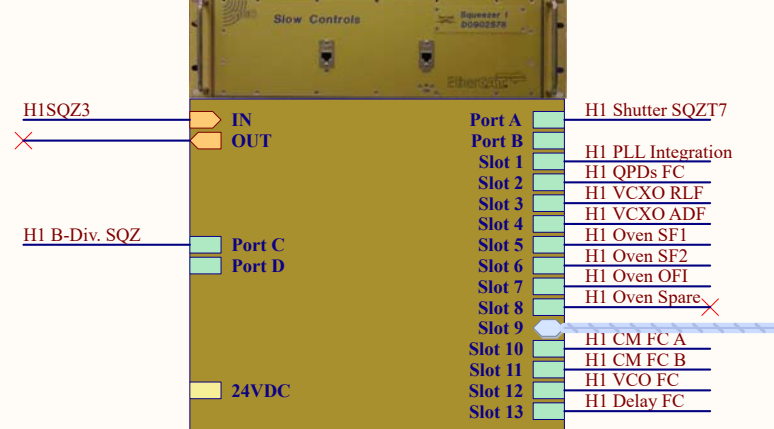
H1 SQZ 2
D1600507-v1



H1 SQZ 3
D1600509-v1



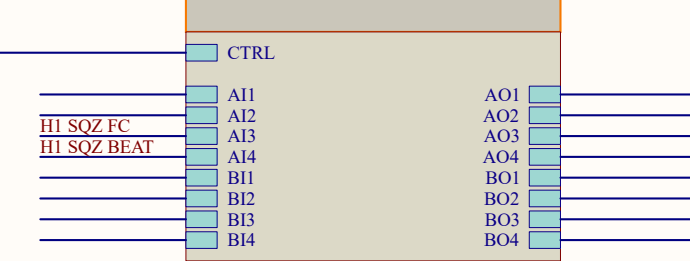
H1 SQZ 4
D2000504-v1



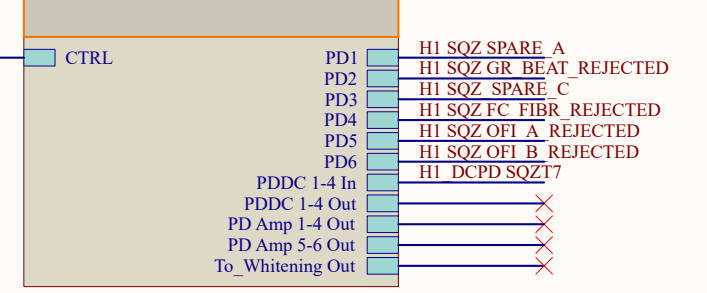
H1 EtherCAT PSL/IO/TCS
D1101114-v3



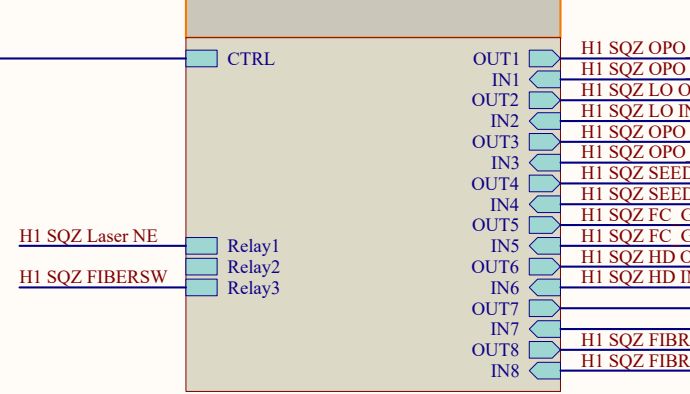
EtherCAT Auxiliary Signals Concentrator 1
D1102065-v1



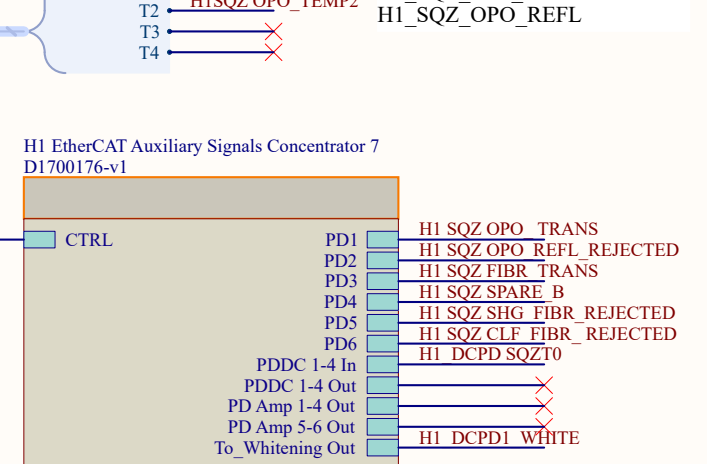
H1 EtherCAT Auxiliary Signals Concentrator 9
D2000505-v1



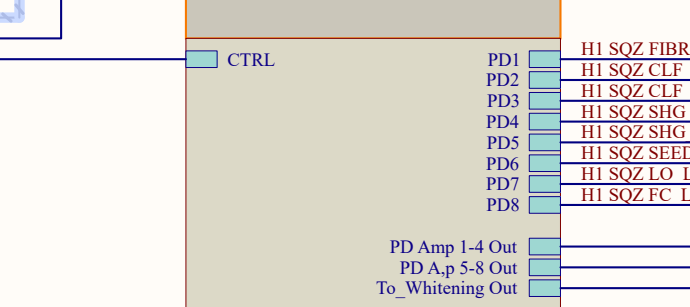
H1 EtherCAT Motorized Flipper/TTL IO
D1700170-v1



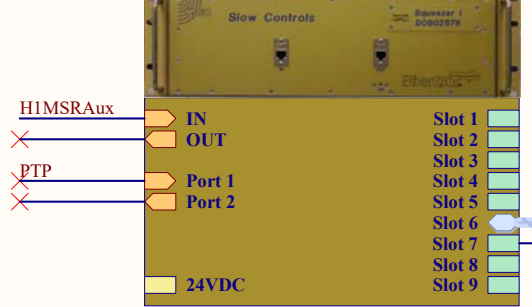
H1 EtherCAT Auxiliary Signals Concentrator 7
D1700176-v1



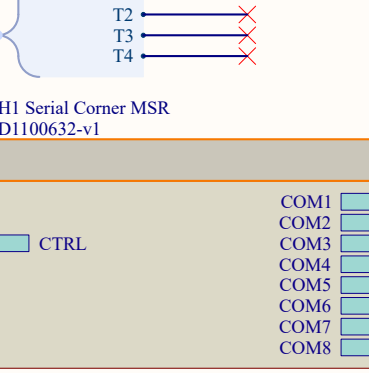
H1 EtherCAT Auxiliary Signals Concentrator 8
D1700179-v1



H1 EtherCAT MSR
D1100618-v2

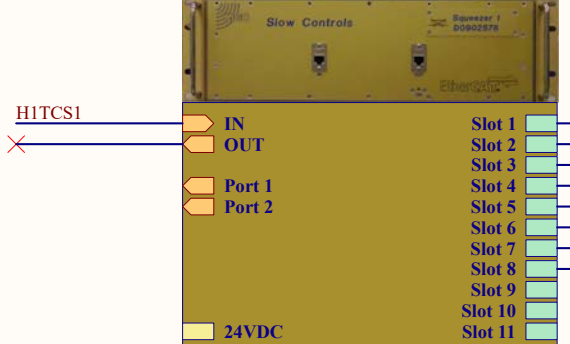


Temperature
T1
T2
T3
T4

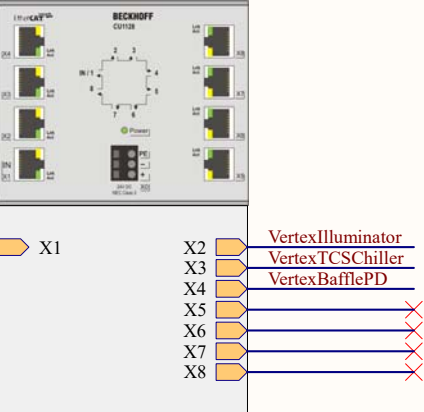
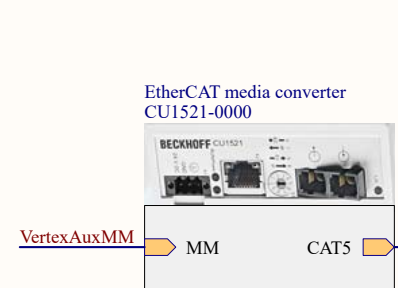


MSR

H1 EtherCAT TCS
D1102207-v4



Vertex EtherCAT junction
CU1128



CER

For the L1 interferometer, H1 should be replaced with L1
Only the X-end station (EX) layout is shown. The Y-end station is identical except substitute EY for EX.

Title EtherCAT System Diagram: Vertex		
Size	Number D1100683	Revision 8
Date:	2/12/2021	Sheet 1 of 3
File:	C:\Users\...EtherCATSite1.SchDoc	Drawn By: Daniel Sigg

CER

A

B

C

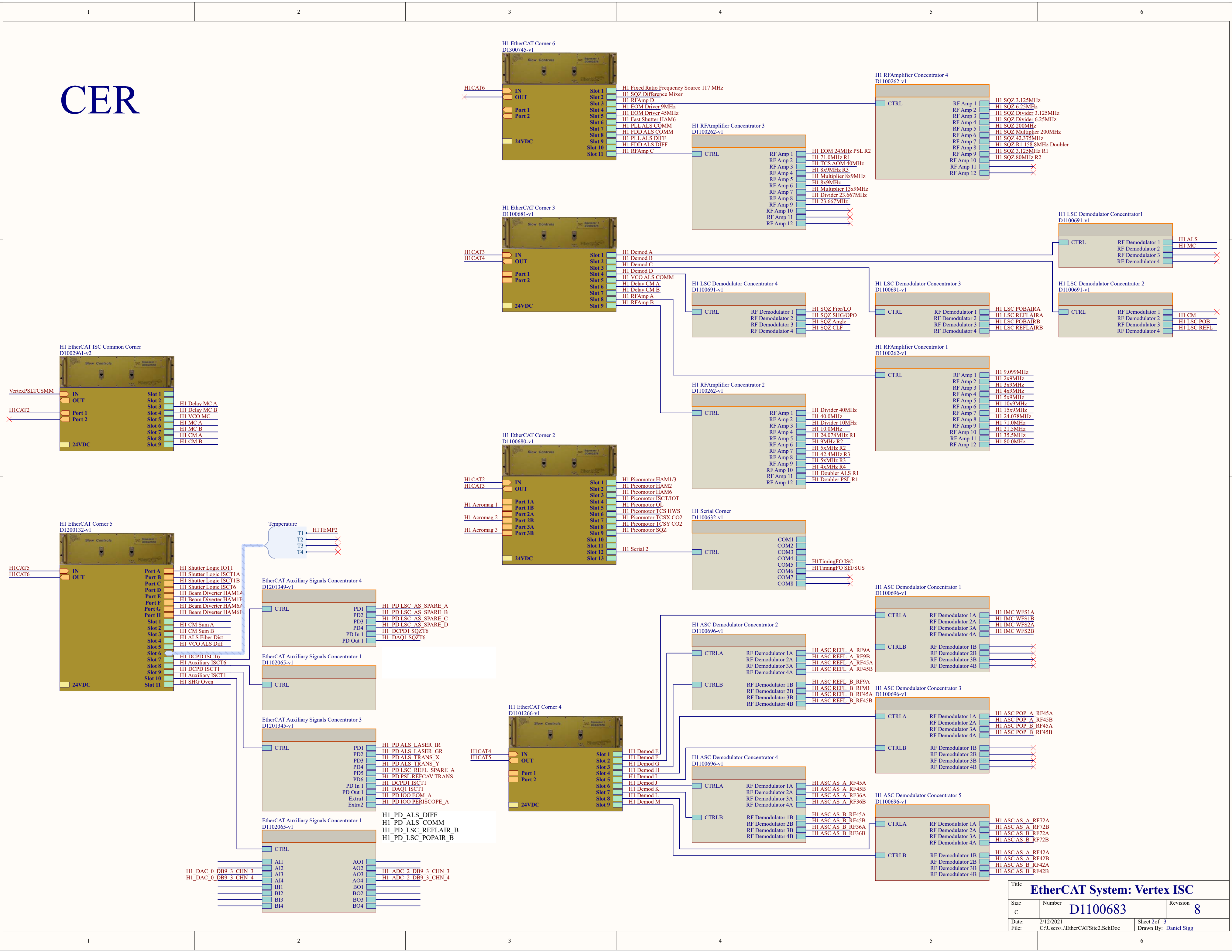
D

A

B

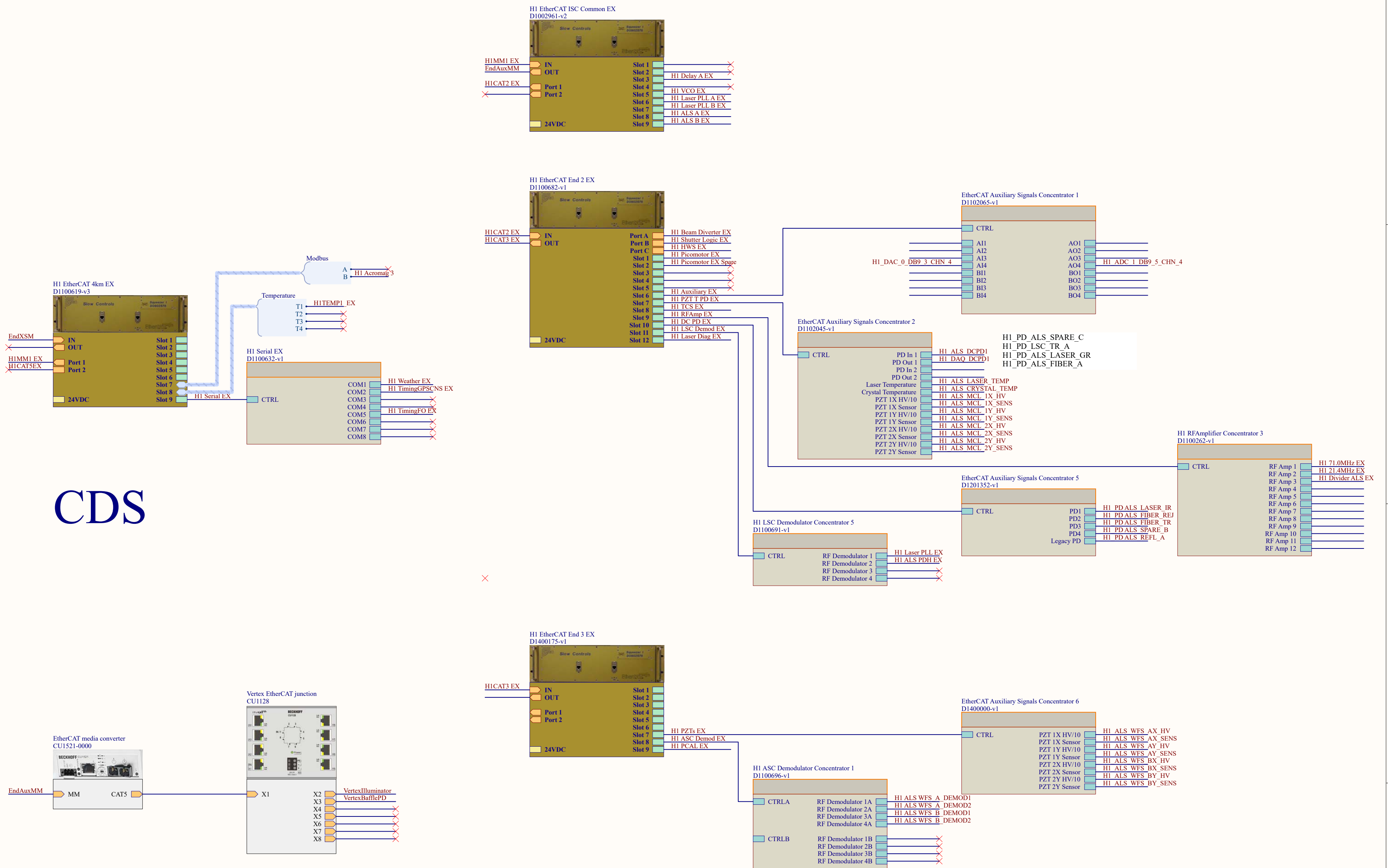
C

D



Title			EtherCAT System: Vertex ISC		
Size	Number	Revision			
C	D1100683			8	
Date:	2/12/2021	Sheet 2 of 3			
File:	C:\Users\...EtherCATSite2.SchDoc	Drawn By: Daniel Sigg			

CDS



ISC Remote

Title EtherCAT System: EX (EY identical)		
Size	Number D1100683	Revision 8
C		
Date:	2/12/2021	Sheet 3 of 3
File:	C:\Users\...\EtherCATSite3.SchDoc	Drawn By: Daniel Sigg