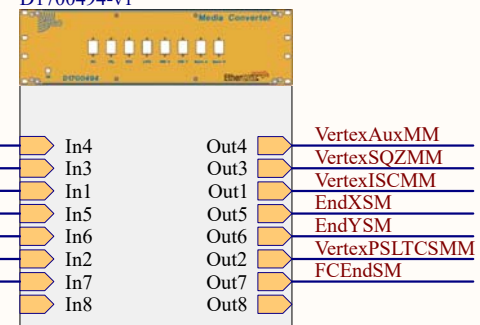


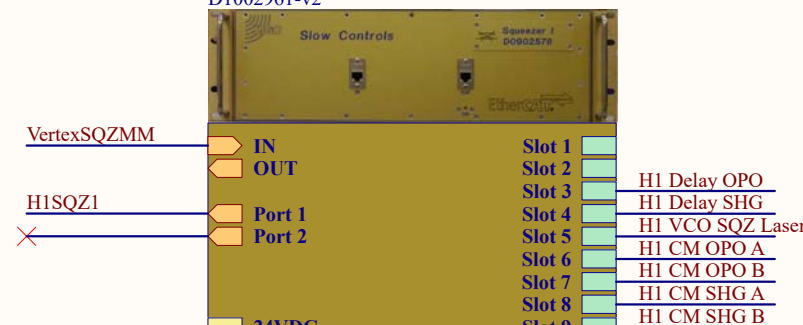
H1 EtherCAT Computer Corner
Xenon 2U, 6-core, 2.66GHz



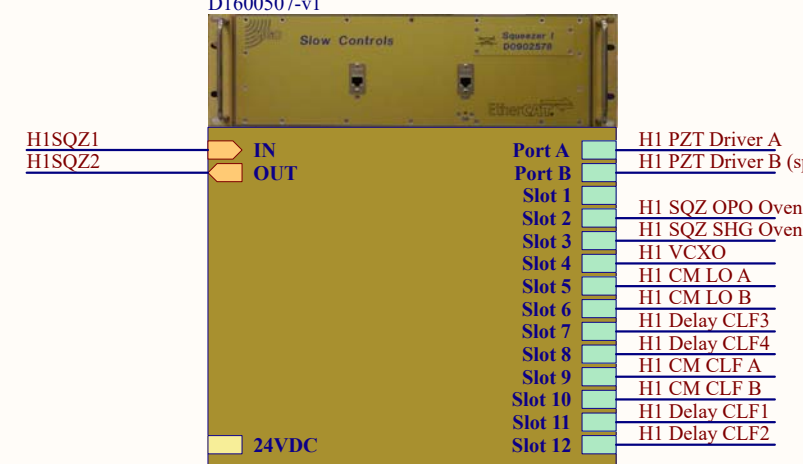
H1 EtherCAT media converter
D1700494-v1



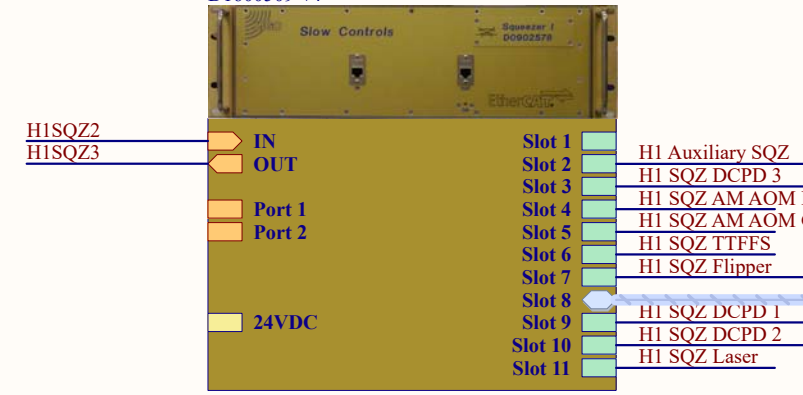
H1 SQZ 1
D1002961-v2



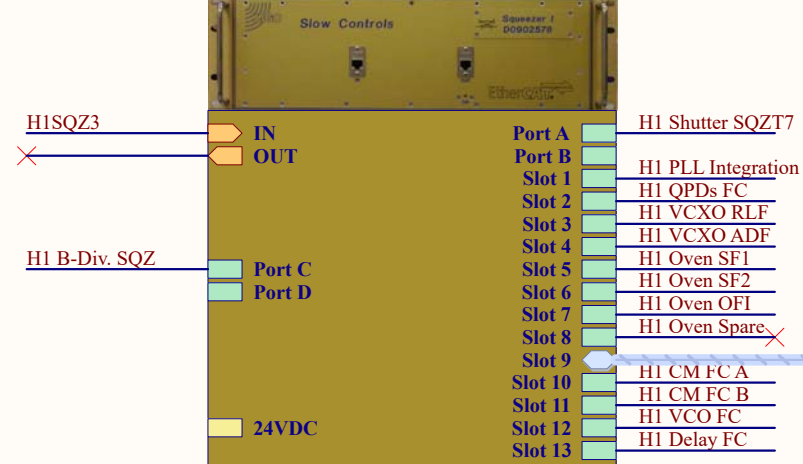
H1 SQZ 2
D1600507-v1



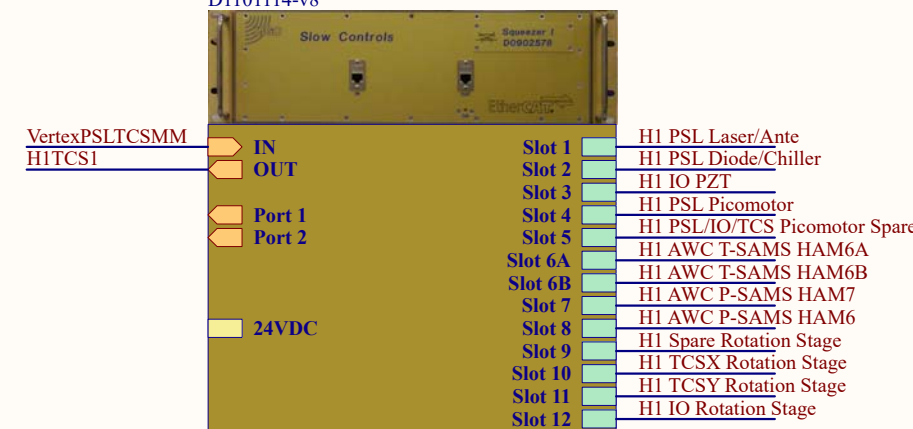
H1 SQZ 3
D1600509-v4



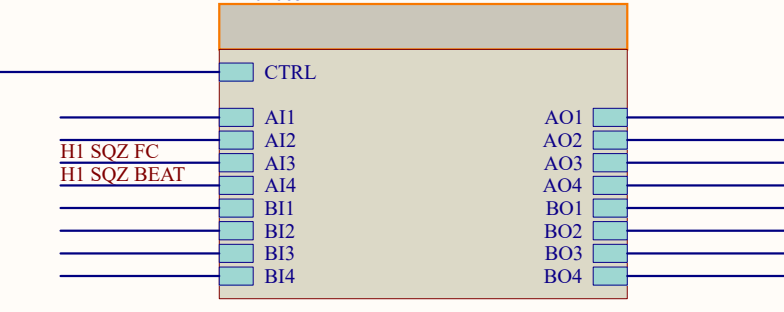
H1 SQZ 4
D2000504-v1



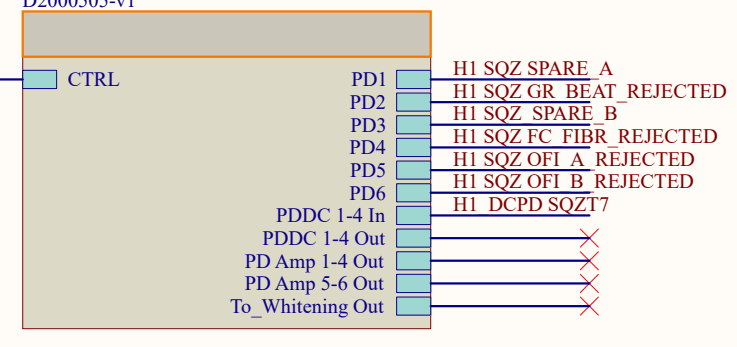
H1 EtherCAT PSL/IO/TCS
D1101114-v8



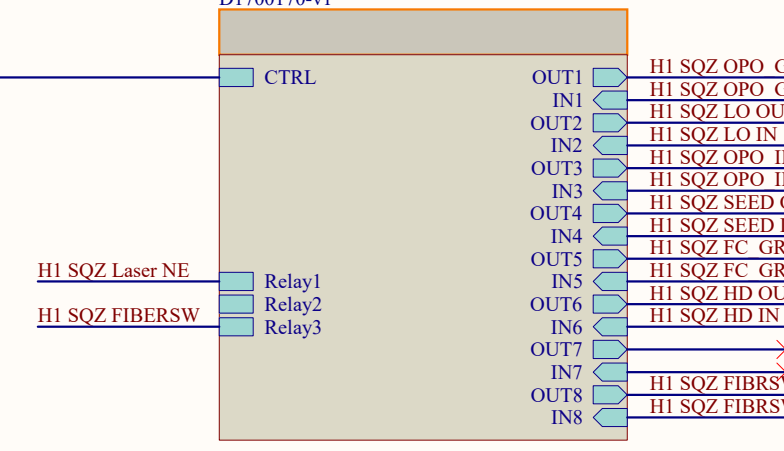
EtherCAT Auxiliary Signals Concentrator 1
D1102065-v1



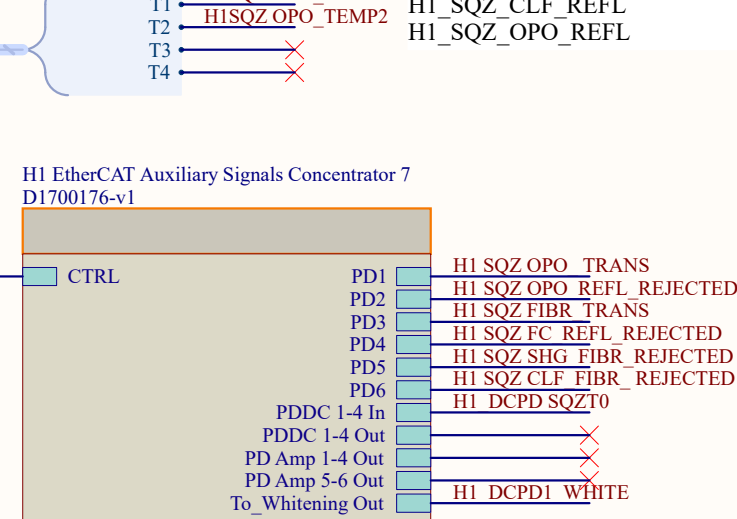
H1 EtherCAT Auxiliary Signals Concentrator 9
D2000505-v1



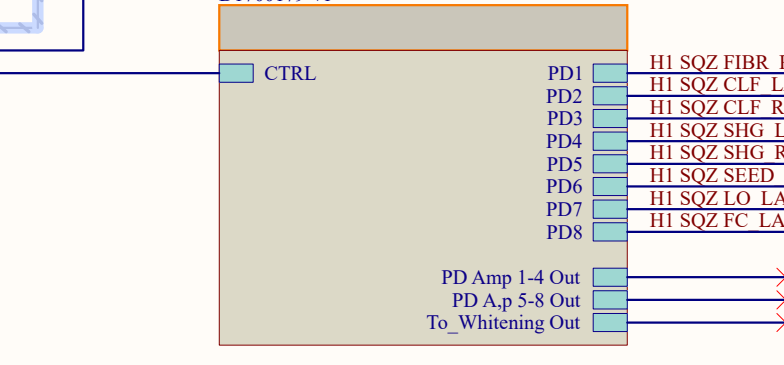
H1 EtherCAT Motorized Flipper/TTL IO
D1700170-v1



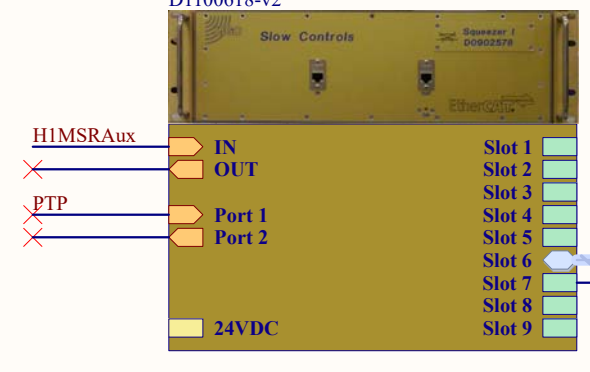
H1 EtherCAT Auxiliary Signals Concentrator 7
D1700176-v1



H1 EtherCAT Auxiliary Signals Concentrator 8
D1700179-v1

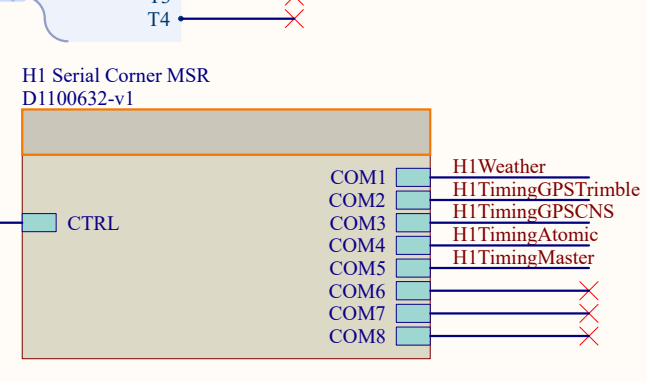


H1 EtherCAT MSR
D1100618-v2



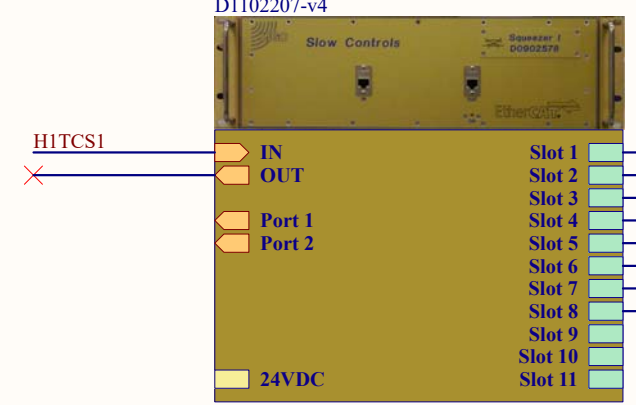
Temperature
T1, T2, T3, T4

H1 Serial Corner MSR
D1100632-v1

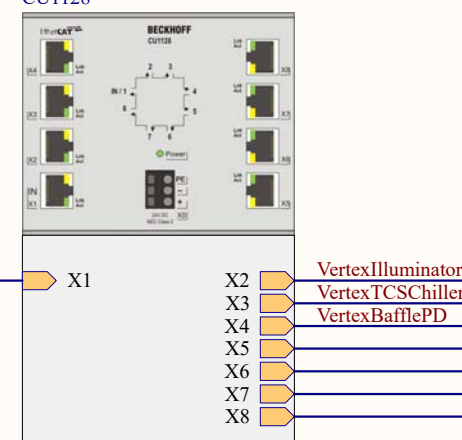


MSR

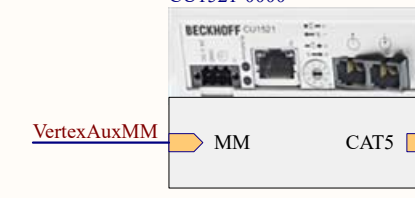
H1 EtherCAT TCS
D1102207-v4



Vertex EtherCAT junction
CU1128



EtherCAT media converter
CU1521-0000



CER

For the L1 interferometer, H1 should be replaced with L1
Only the X-end station (EX) layout is shown. The Y-end station is identical except substitute EY for EX.

Title EtherCAT System Diagram: Vertex		
Size C	Number D1100683	Revision 9
Date: 1/18/2022	Sheet 1 of 4	
File: C:\Users\...EtherCATSite1.SchDoc	Drawn By: Daniel Sigg	

CER

A

B

C

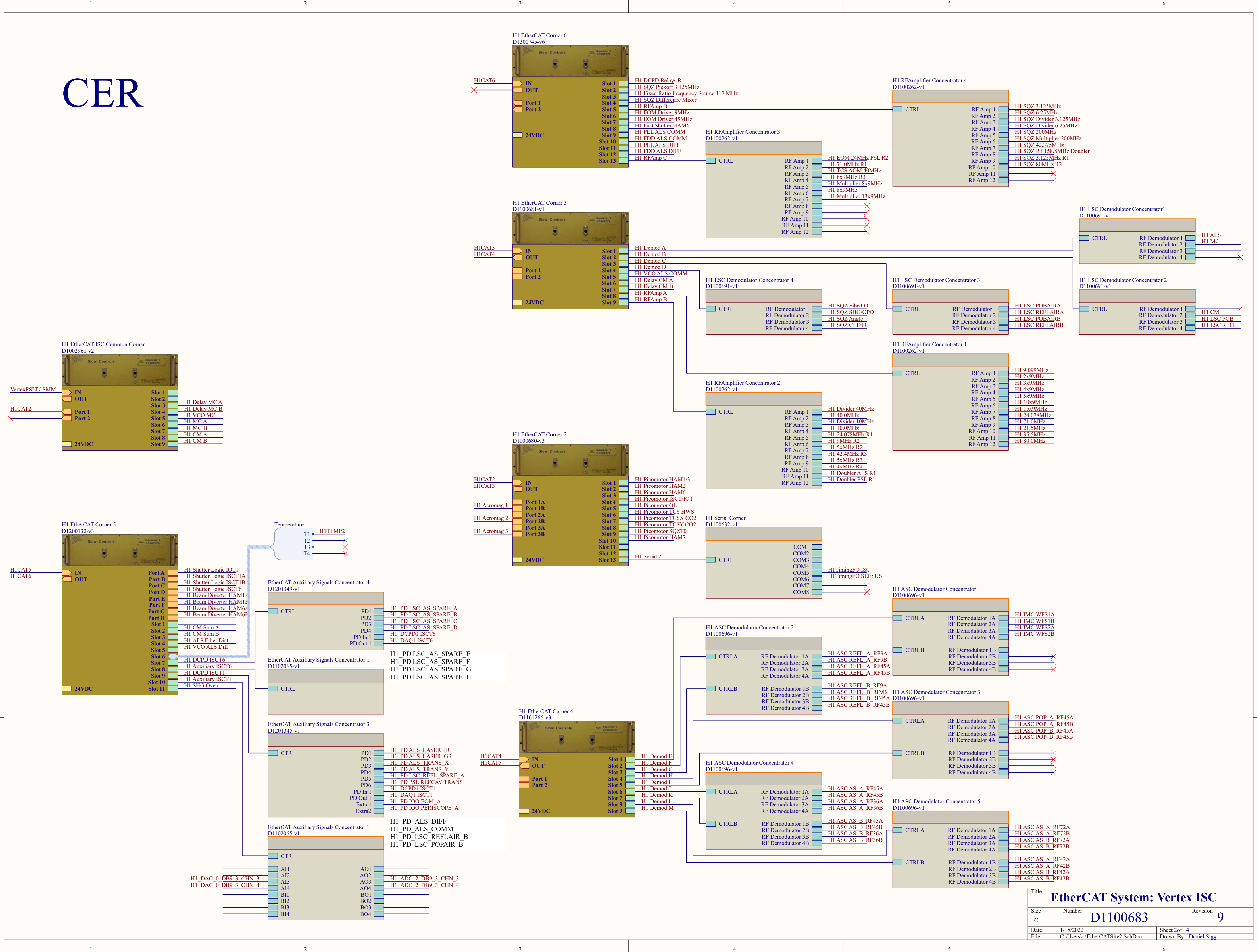
D

A

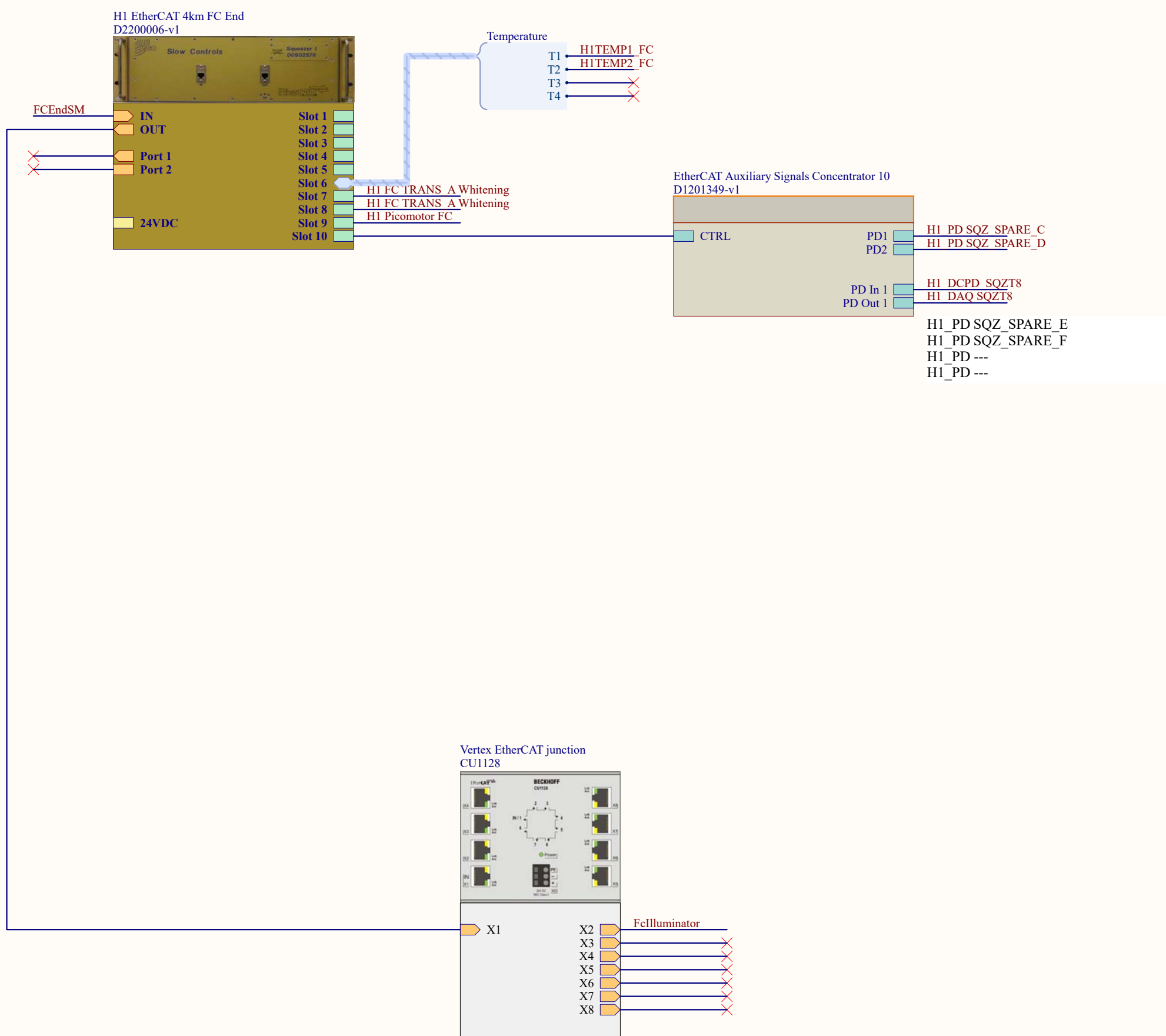
B

C

D



Title			EtherCAT System: Vertex ISC		
Size	Number	Revision			
C	D1100683	9			
Date:	1/18/2022	Sheet 2 of 4			
File:	C:\Users\...EtherCATSite2.SchDoc	Drawn By: Daniel Sigg			



Filter Cavity End Station

Title			EtherCAT System: FC End		
Size	Number	Revision		9	
C	D1100683				
Date:	1/18/2022	Sheet 4 of 4			
File:	C:\Users\d...EtherCATSite4.SchDoc	Drawn By: Daniel Sigg			