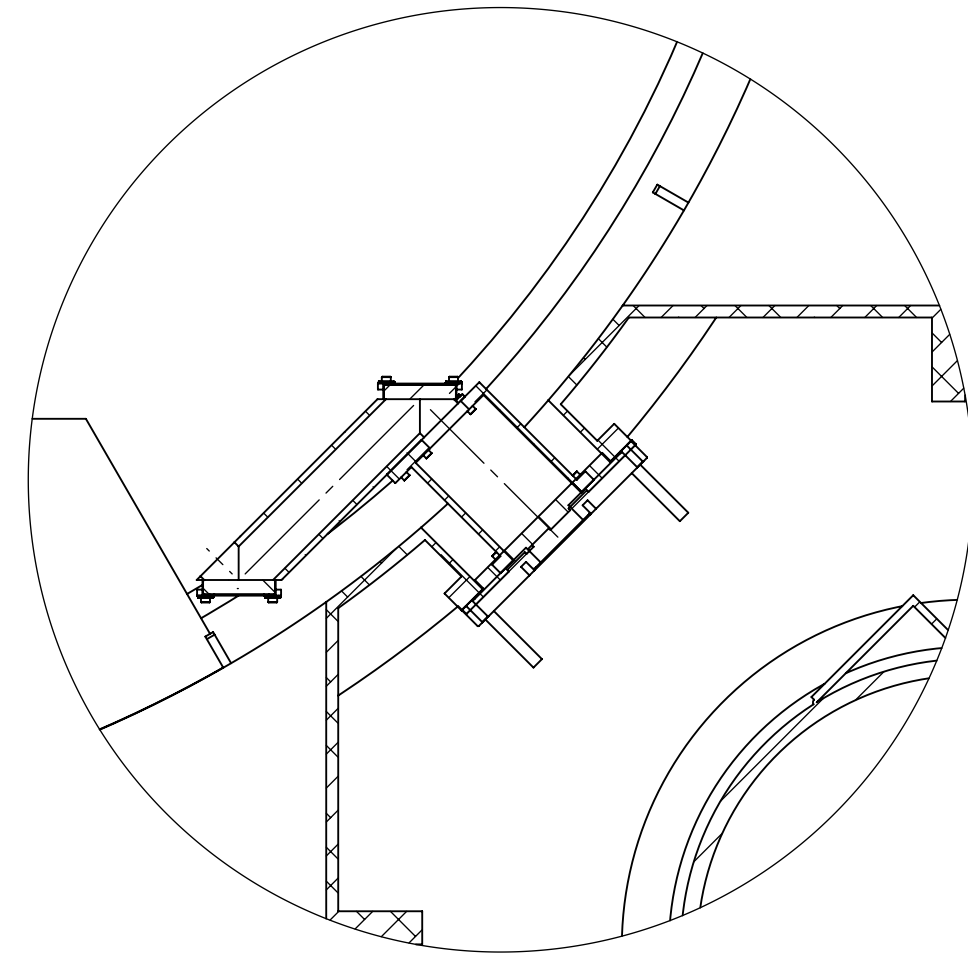
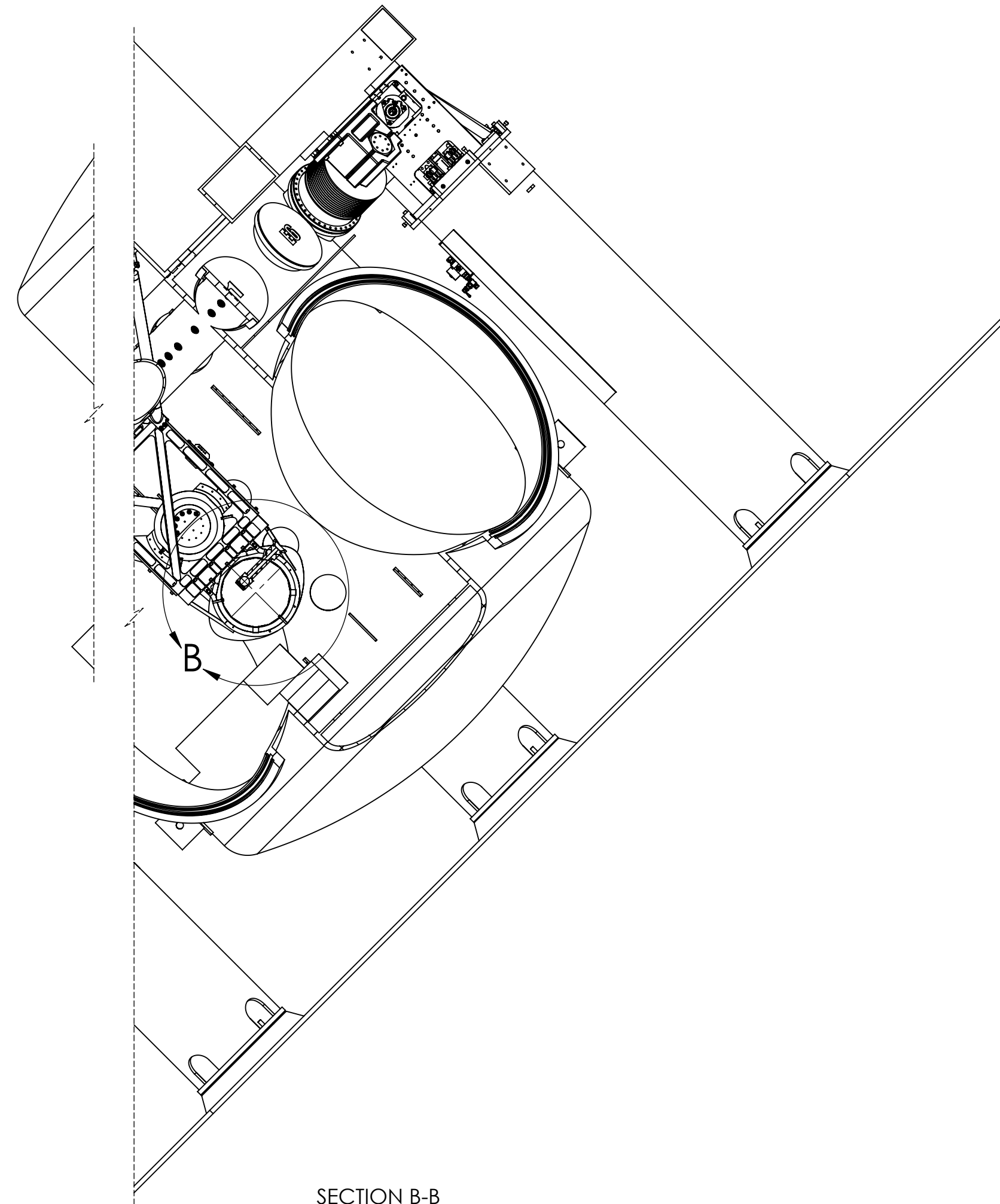


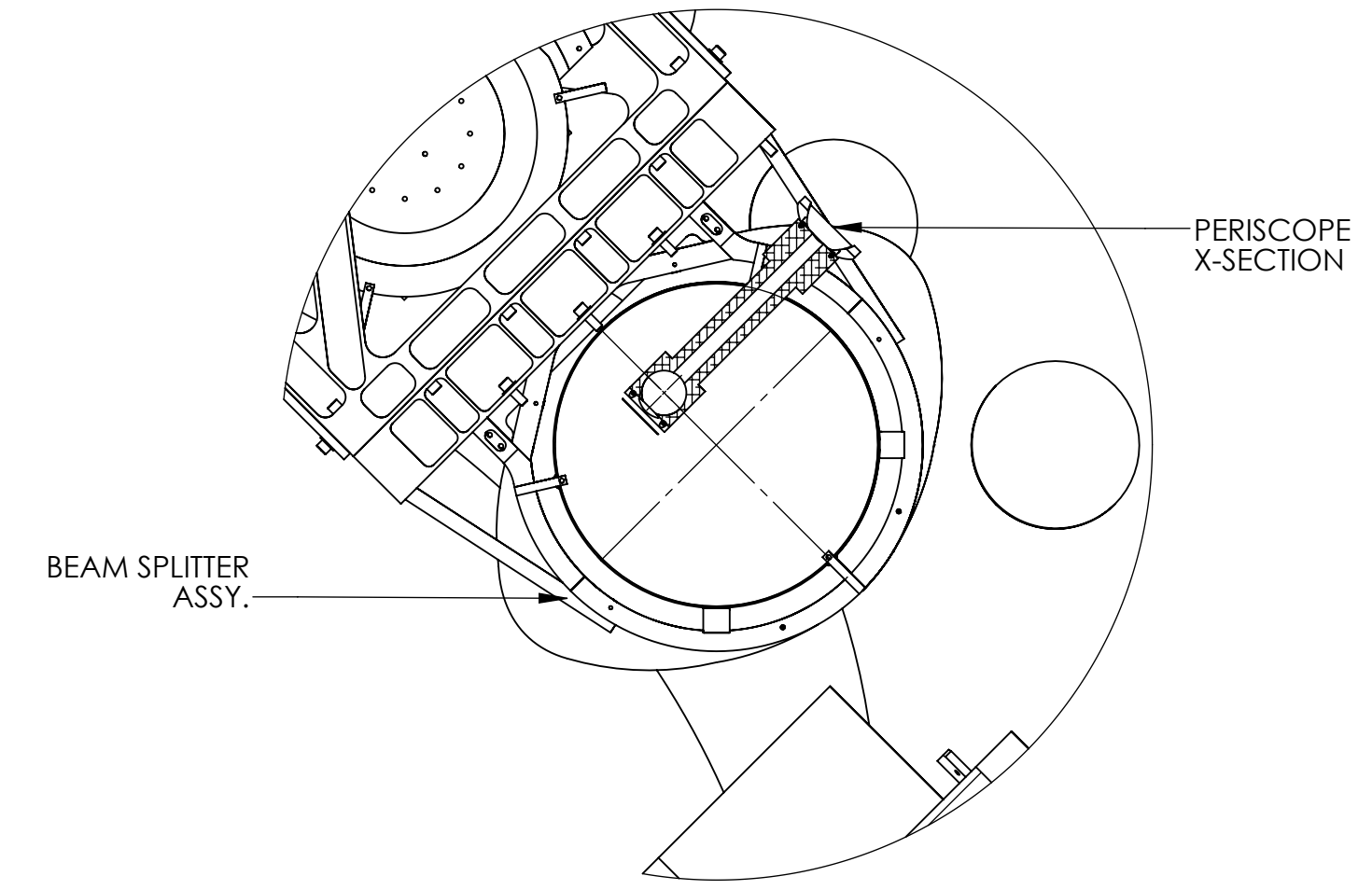
REV.	DATE	DCN #	DRAWING TREE #
v1	04 MAY 2011	E1100356-x0	



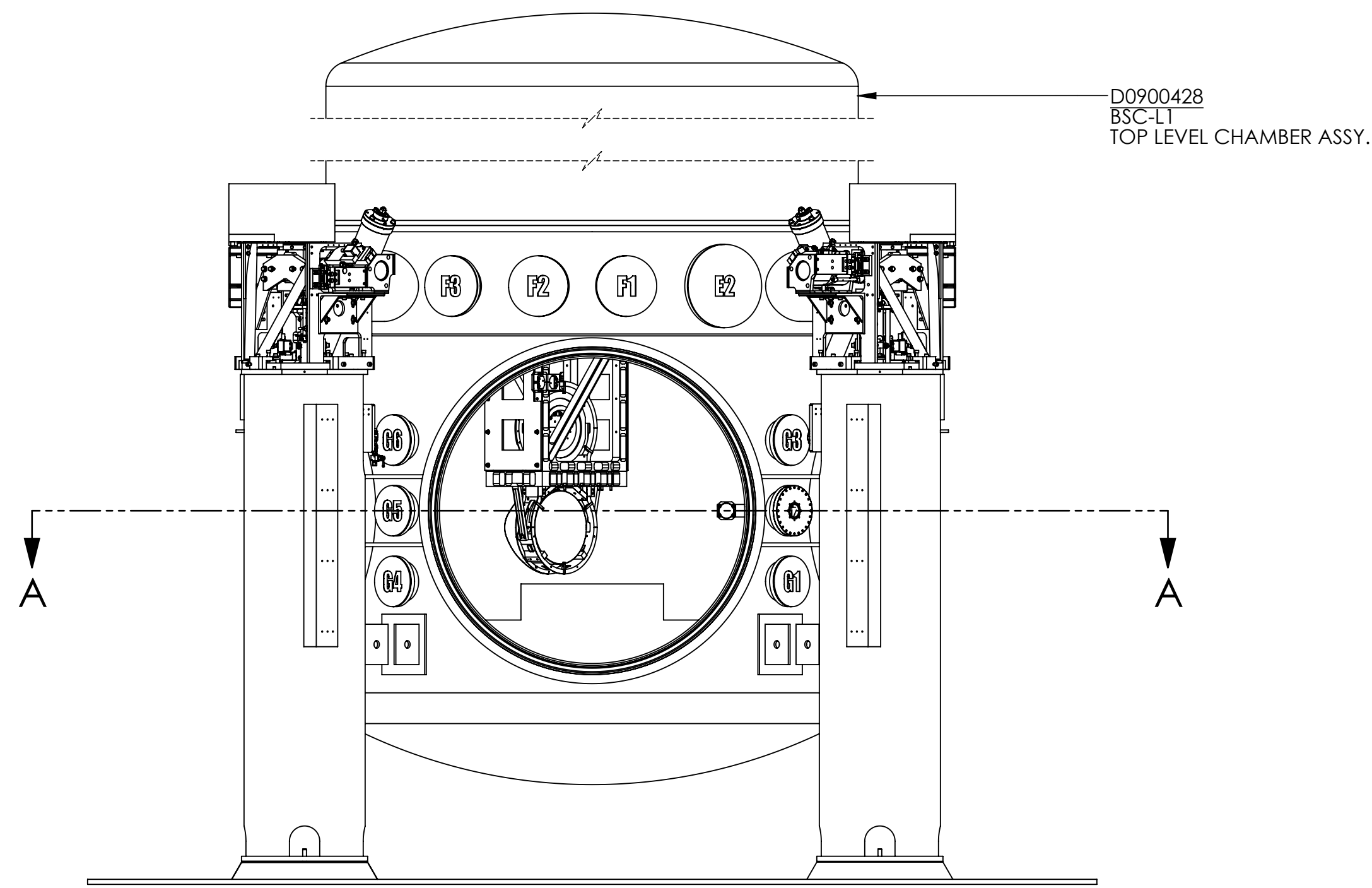
DETAIL A  
VIEWPORT 'G2'



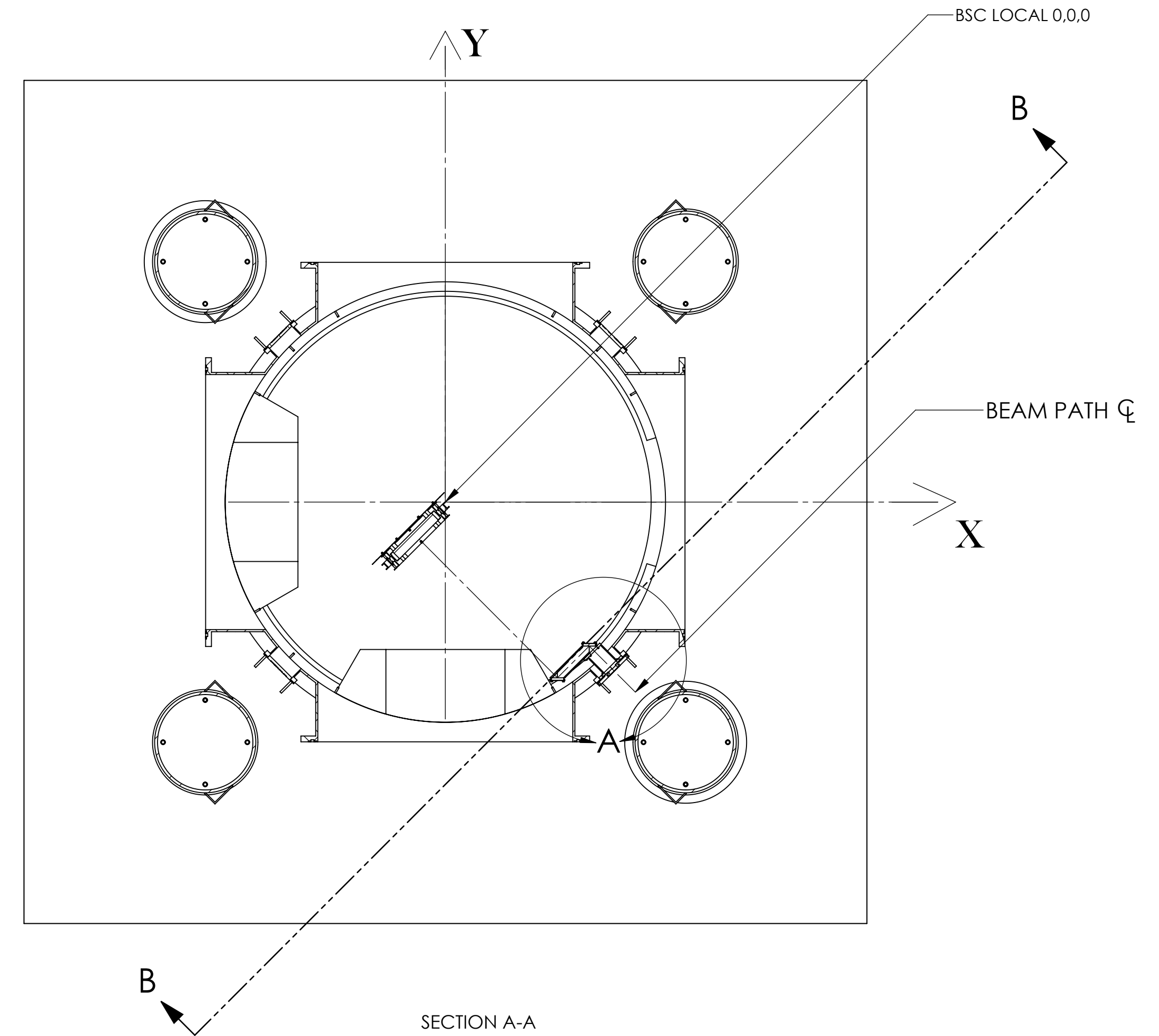
SECTION B-B



DETAIL B  
BS AND PERISCOPE X-SECTION



FRONT VIEW



SECTION A-A

NOTES AND TOLERANCES: (UNLESS OTHERWISE SPECIFIED)	
1. INTERPRET DRAWING PER ASME Y14.5-1994.	
2. REMOVE ALL SHARP EDGES, .005-.015, FOR MACHINED PARTS. ROUND ALL EDGES APPROXIMATELY R.02 FOR SHEET METAL PARTS.	
3. DO NOT SCALE FROM DRAWING.	
4. ALL MACHINING FLUIDS MUST BE FULLY SYNTHETIC, FULLY WATER SOLUBLE AND FREE OF SULFUR, SILICONE, AND CHLORINE.	
MATERIAL	N/A
FINISH	N/A μinch

<b>LIGO</b> CALIFORNIA INSTITUTE OF TECHNOLOGY MASSACHUSETTS INSTITUTE OF TECHNOLOGY	
SYSTEM	ADVANCED LIGO
SUB-SYSTEM	OPLEV
NEXT ASSY	N/A

PART NAME				ALIGO, OPLEV, PERISCOPE, BSC2-L1 LAYOUT			
DESIGNER	Esanchez	DATE	04 MAY 2011	SIZE	DWG. NO.	REV.	
DRAFTER	Esanchez	DATE	26 APR 2011	D	D1100833	v1	
CHECKER				SCALE:	1:24	PROJECTION:	
APPROVAL							SHEET 1 OF 1

D1100833\_ALIGO\_OPLEV\_PERISCOPE\_BSC2-L1\_LAYOUT\_PART\_PDM\_REV\_X.001\_DRAWING\_PDM\_REV: