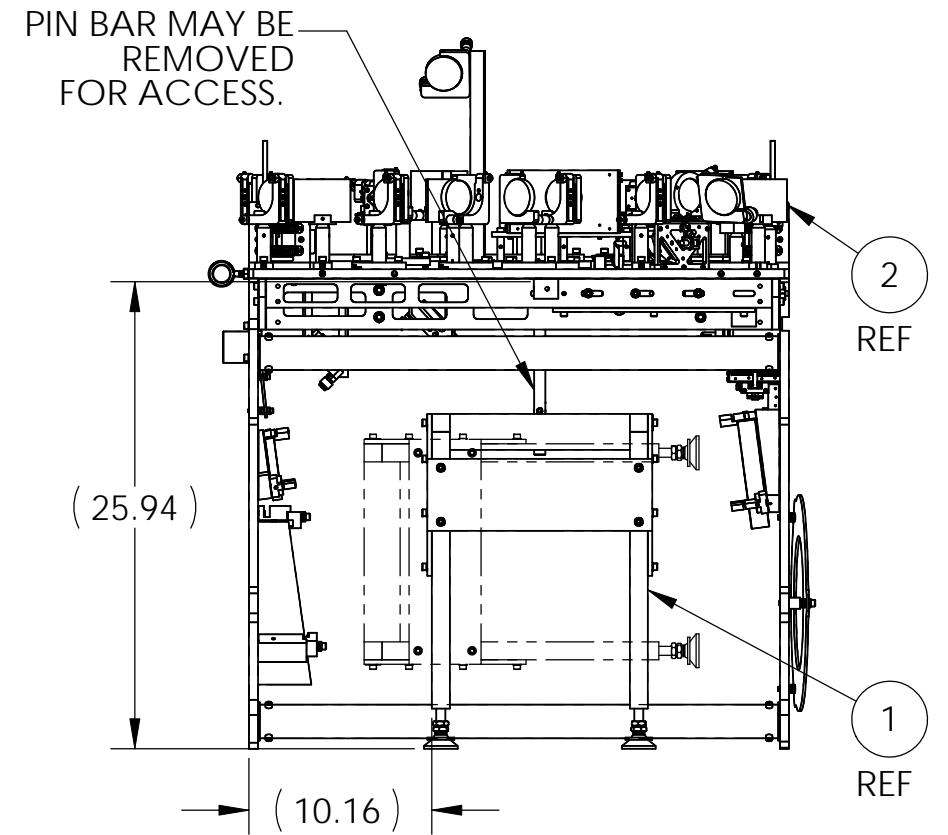
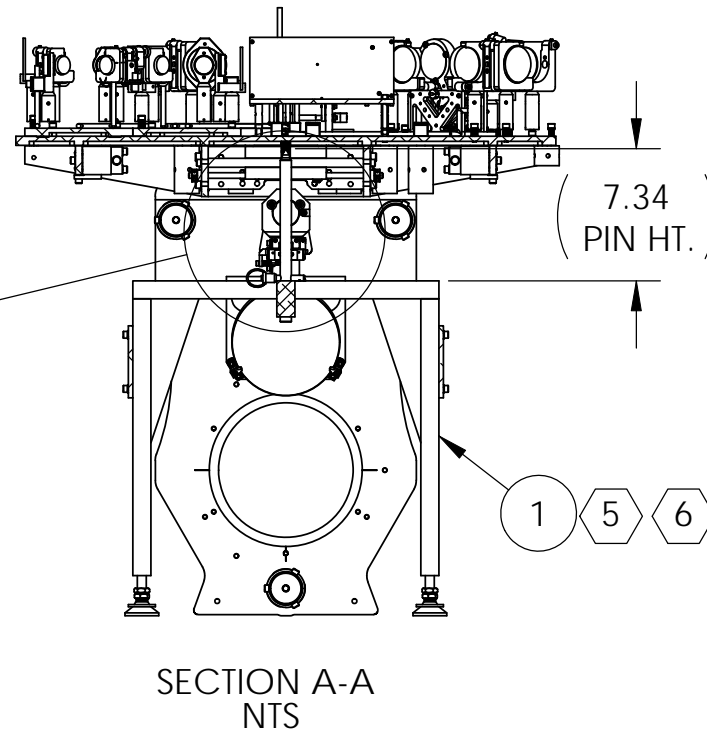
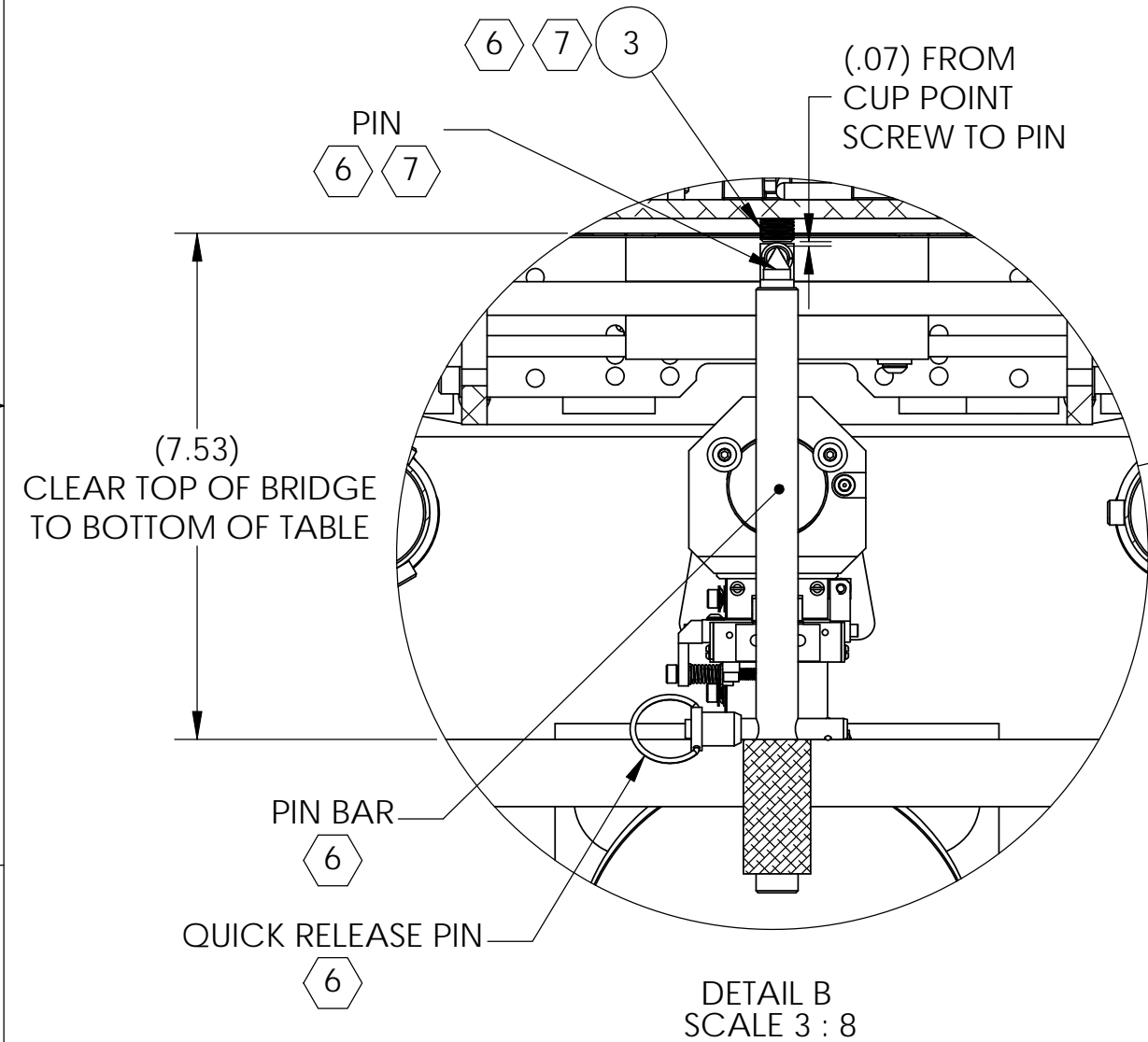
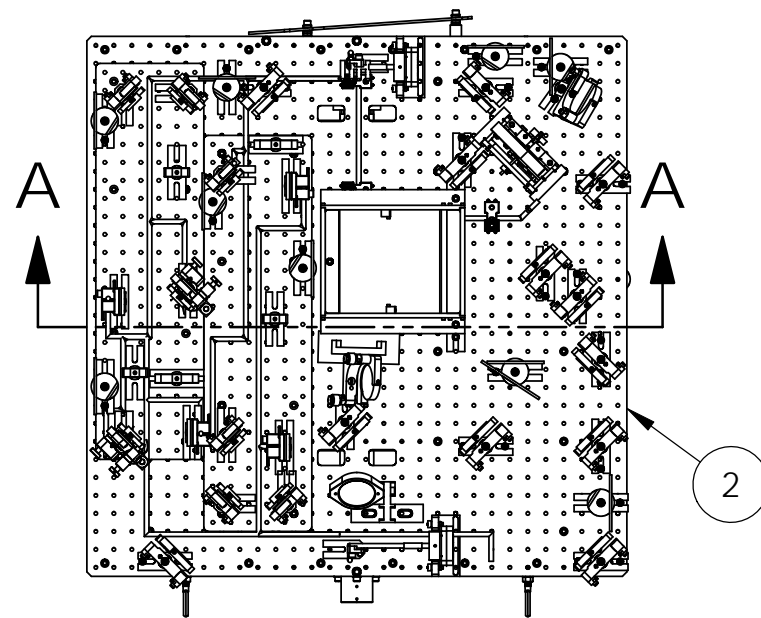


D1101097_aLIGO TMS TELE-OPT TABLE-BALANCE BRIDGE CONNECTION, PART PDM REV: X-010, DRAWING PDM REV: X-006

- NOTES CONTINUED:
- 5 INITIALLY, WITH QUICK RELEASE PIN REMOVED, SLIDE PIN BAR BACK FOR CLEARANCE, TURN BALANCE BRIDGE ITEM (1) ON ITS SIDE (90°) TO OPTICAL TABLE ITEM (2), AND FIT IT THRU BETWEEN THE TELESCOPE TUBES AS SHOWN IN SIDE VIEW, (TAKE EXTRA CAUTION NOT TO STRIKE THE MIRRORS) THEN, TURN IT BACK ON ITS FEET, SLIDE PIN BAR UP AND SET IT IN PLACE WITH QUICK RELEASE PIN THRU HOLE ON BAR.
 - 6 ONCE IN PLACE, LOWER BALANCE BRIDGE ITEM (1) BY ADJUSTING LEVELING MOUNT FEET AND INSTALL CUP POINT SCREW ITEM (3), BALANCE PIN, PIN BAR & QUICK RELEASE PIN OF BRIDGE ITEM (1) UNDER OPTICAL TABLE ITEM (2) AS SHOWN IN DETAIL B
 - 7 ADJUST HEIGHT AS NECESSARY TO ENGAGE BALANCE PIN INTO CUP POINT SCREW ITEM (3) AS SHOWN BY ADJUSTING THE 1/2-13 PITCH LEVELING MOUNT FEET, TAKE CARE TO BE PARALLEL WITH TABLE TOP AND LEVEL IN BRIDGE ADJUSTMENT.
 8. SET THE HEIGHT SO THAT ONE TELESCOPE END PLATE CLEARS THE TABLE BY APPROX. 1/8 INCH, THEN BEGIN ADJUSTING BALANCE BY MOVING THE CYLINDERS AND PITCH AND ROLL MASSES.
 9. LEAVE AN ADJUSTMENT ALLOWANCE IN THE TWO PITCH TRIM ADJUSTABLE MASSES TO MOVE THEM BACK TO FINALLY MATCH THE REQUIRED .047 DEGREE PITCH UP ANGLE TO MATCH THE ETM WEDGE.

REV.	DATE	DCN #	DRAWING TREE #
v1	6/10/2011	E1100355-v1	-
-	-	-	-
-	-	-	-



ITEM NO.	PART NUMBER	DESCRIPTION	MATERIAL	QTY	SPARE	TOTAL
3	D1100726	HEX SOCKET SET SCREW, CUP POINT-MODIFIED, 18-8 SSSL	18-8 SSSL	1		0
2	D1002460-02	aLIGO TMS TELESCOPE ASSEMBLY, Y-ARM	N/A	1		0
1	D1100649	aLIGO TMS TELE-OPT TABLE BALANCE BRIDGE ASSY	N/A	1		0

NOTES AND TOLERANCES: (UNLESS OTHERWISE SPECIFIED)

DIMENSIONS ARE IN INCHES

TOLERANCES:
.XX ± .01
.XXX ± .005
ANGULAR ± 1.0°

1. INTERPRET DRAWING PER ASME Y14.5-1994.
2. REMOVE ALL SHARP EDGES, .005-.015, FOR MACHINED PARTS. ROUND ALL EDGES APPROXIMATELY R.02 FOR SHEET METAL PARTS.
3. DO NOT SCALE FROM DRAWINGS.
4. ALL MACHINING FLUIDS MUST BE FULLY SYNTHETIC, FULLY WATER SOLUBLE AND FREE OF SULFUR, SILICONE, AND CHLORINE.

LIGO CALIFORNIA INSTITUTE OF TECHNOLOGY
MASSACHUSETTS INSTITUTE OF TECHNOLOGY

PART NAME: aLIGO TMS TELE-OPT TABLE BALANCE BRIDGE CONNECTION

DESIGNER: J. TERRAZAS
DRAFTER: J. TERRAZAS
CHECKER:
APPROVAL:

SIZE: B
DWG. NO.: D1101097
REV.: v1

MATERIAL: N/A
FINISH: N/A μinch
TOOLING:

SCALE: 1:12
PROJECTION:

SHEET 1 OF 1