

NOTES CONTINUED:

- 5. BAG OR WRAP AND TAG ASSEMBLY WITH DRAWING NUMBER, REVISION, TYPE, AND SERIAL NUMBER. SERIAL NUMBERS START AT 001 FOR THE FIRST ARTICLE AND PROCEED CONSECUTIVELY.  
EXAMPLE (TAG): DXXXXXXXX-VY, TYPE -01, S/N 001
- 6. APPROXIMATE WEIGHT = 15.31 LBS.
- 7 -01 AND -02 ASSEMBLIES ARE MADE FROM THE IDENTICAL SET OF PARTS.

REV	DATE	DCN #	BOM #
V1	04 OCT 2011	E1100351	E1100654-v1
V2	23 MAY 2012	E1100351	-
V3	1-2-13	TO FOLLOW	-

ITEM NO.	PART NUMBER	REV	DESCRIPTION	MATERIAL	REQ	SPARE	TOTAL
15					4		
14					4		
13	D1200752-v1		aLigo Nut Plate - Structure Tube	6061-T6 (SS)	4		
12	D1200772-v1		SAFETY SCREW RETAINER	AISI 304	8		
11	-		-	-	8		
10	D1100264-02	v2	TMS TELESCOPE SAFETY SUPPORT BEAM, REAR	6061-T6 Al	1	-	1
9	D1100281	v2	TMS SAFETY CHAIN MOUNT, REAR	6061-T6 Al	2	-	2
8	33045T72 (McM-Carr) or equiv		EYEBOLT, NON-SHOULDERED, 780# 5/16-18 X 1.88" THREAD	304 SSSL	4	2	6
7	D1300001		SCREW, SOCKET HEAD CAP, 5/16-18 UNC-2A X 1.125 LONG CAPTIVE SCREW ASSEMBLY	18-8 SSSL	8	2	10
6	D1100280	v1	TMS SAFETY CHAIN MOUNT, FRONT	6061-T6 Al	2	-	2
5	90810A030	v1	NICKEL-COPPER ALLOY 400 .312-18 HEX NUT, MODIFIED	NICKEL-COPPER ALLOY 400	20	6	26
4	92196A597 (McM-Carr) or equiv		SCREW, SOCKET HEAD CAP, 5/16-18 UNC-2A X 3.5 LONG	18-8 SSSL	8	2	10
3	D1100271	v2	TMS SAFETY BEAM MOUNT	6061-T6 Al	4	-	4
2	WFV-31		VENTED FLAT WASHER .328 ID, .562 OD, .032 TH	18-8 SSSL	52	16	68
1	D1100264-01	v2	TMS TELESCOPE SAFETY SUPPORT BEAM, FRONT	6061-T6 Al	1	-	1

**NOTES AND TOLERANCES: (UNLESS OTHERWISE SPECIFIED)**

DIMENSIONS ARE IN INCHES

TOLERANCES:  
 .XX ± .01  
 .XXX ± .005  
 ANGULAR ± 1.0°

1. INTERPRET DRAWING PER ASME Y14.5-1994.  
 2. REMOVE ALL SHARP EDGES, R.02 MIN.  
 3. DO NOT SCALE FROM DRAWING.  
 4. ALL MACHINING FLUIDS MUST BE FULLY SYNTHETIC, FULLY WATER SOLUBLE AND FREE OF SULFUR, SILICONE, AND CHLORINE.

MATERIAL: N/A      FINISH: N/A μinch

**PARTS LIST**

**LIGO** CALIFORNIA INSTITUTE OF TECHNOLOGY  
 MASSACHUSETTS INSTITUTE OF TECHNOLOGY

SYSTEM: ADVANCED LIGO      SUB-SYSTEM: AOS

PART NAME: aLIGO TMS TELESCOPE SAFETY SUPPORT BEAM ASSEMBLY

DESIGNER: K. MAILAND      10 FEB 2009      SIZE DWG. NO. B      D1101130      REV. V4

DRAFTER: M. MILLER      04 OCT 2011

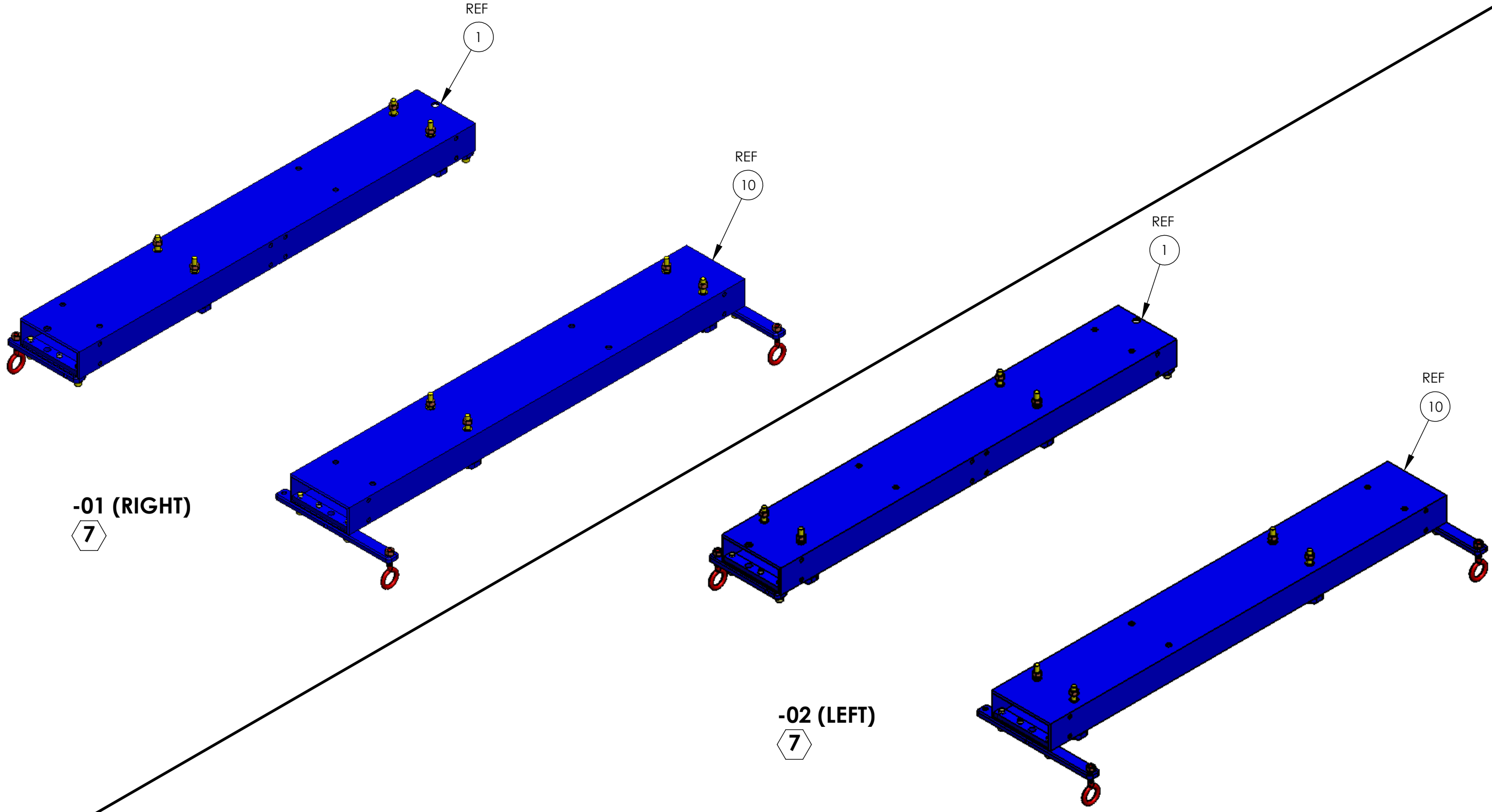
CHECKER: SEE DCN


APPROVAL: SEE DCN

SCALE: NONE      PROJECTION:      SHEET 1 OF 4

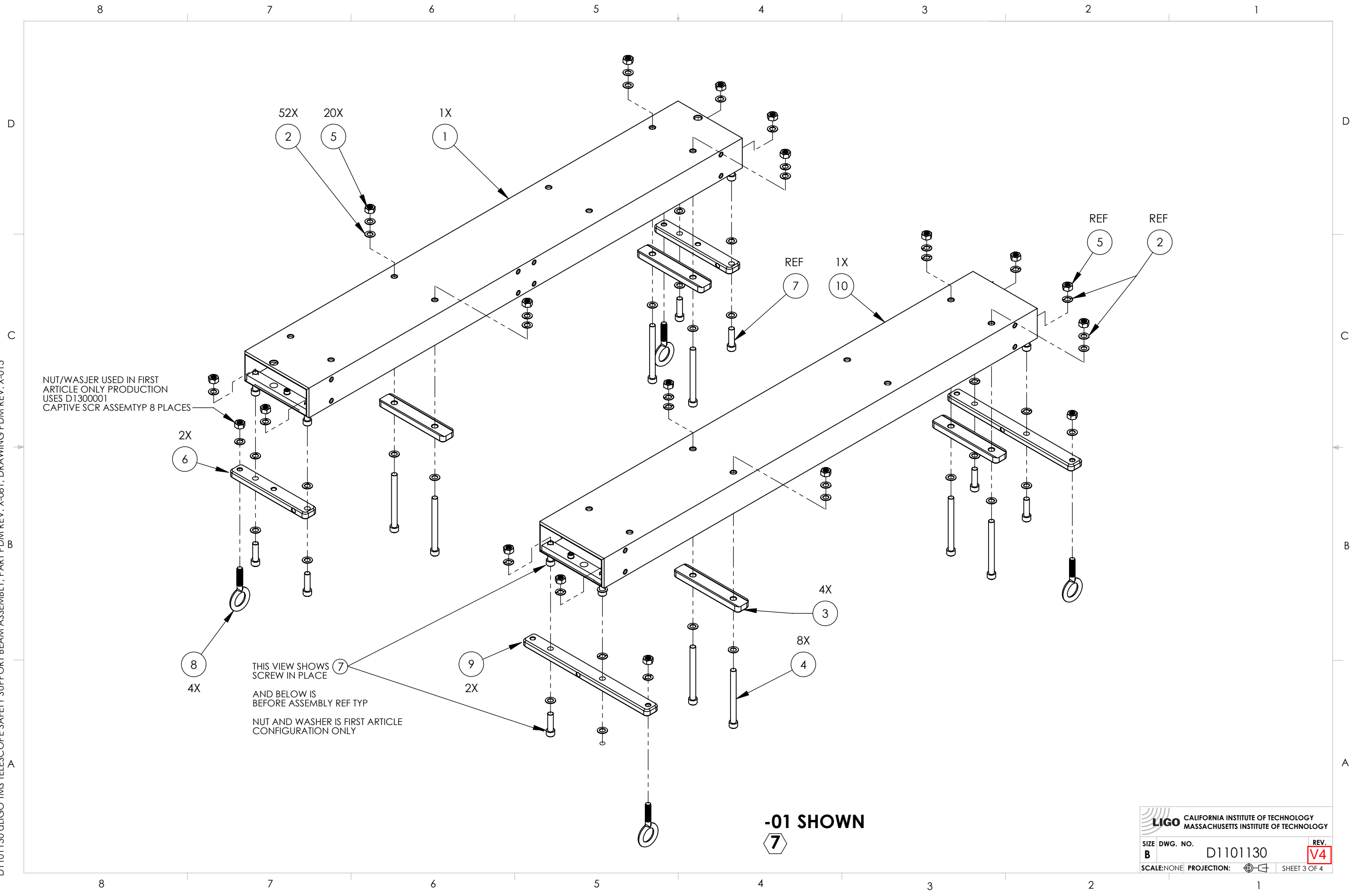
D1101130 aLIGO TMS TELESCOPE SAFETY SUPPORT BEAM ASSEMBLY, PART PDM REV: X-081, DRAWING PDM REV: X-015

D1101130 dLIGO TMS TELESCOPE SAFETY SUPPORT BEAM ASSEMBLY, PART PDM REV: X-081, DRAWING PDM REV: X-015



 CALIFORNIA INSTITUTE OF TECHNOLOGY MASSACHUSETTS INSTITUTE OF TECHNOLOGY		
SIZE	DWG. NO.	REV.
B	D1101130	V4
SCALE: NONE	PROJECTION:	SHEET 2 OF 4

D1101130 LIGO TMS TELESCOPE SAFETY SUPPORT BEAM ASSEMBLY, PART PDM REV: X-081, DRAWING PDM REV: X-015



NUT/WASHER USED IN FIRST ARTICLE ONLY PRODUCTION USES D1300001 CAPTIVE SCR ASSEMTYP 8 PLACES

THIS VIEW SHOWS SCREW IN PLACE AND BELOW IS BEFORE ASSEMBLY REF TYP NUT AND WASHER IS FIRST ARTICLE CONFIGURATION ONLY

-01 SHOWN  
7

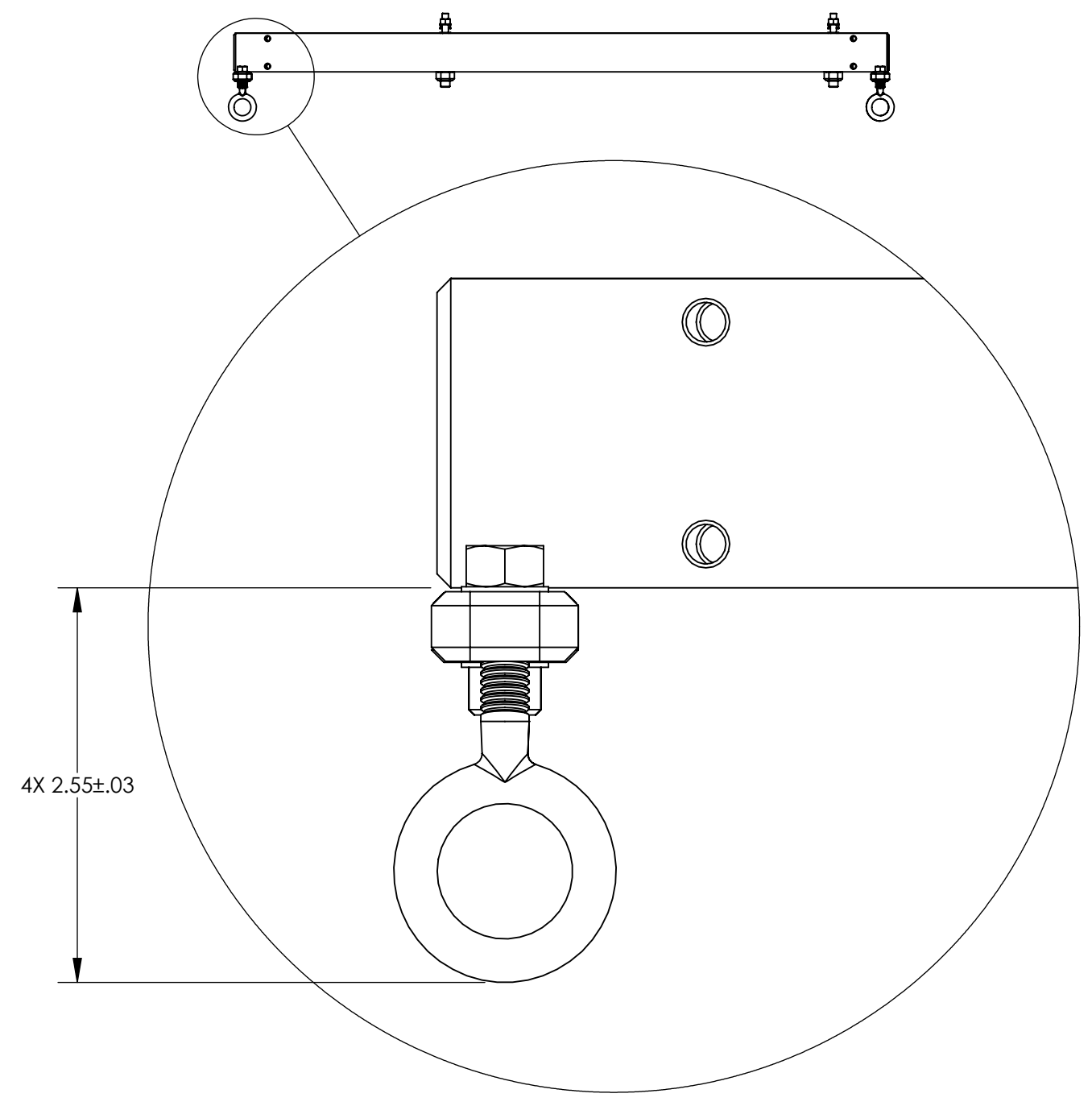
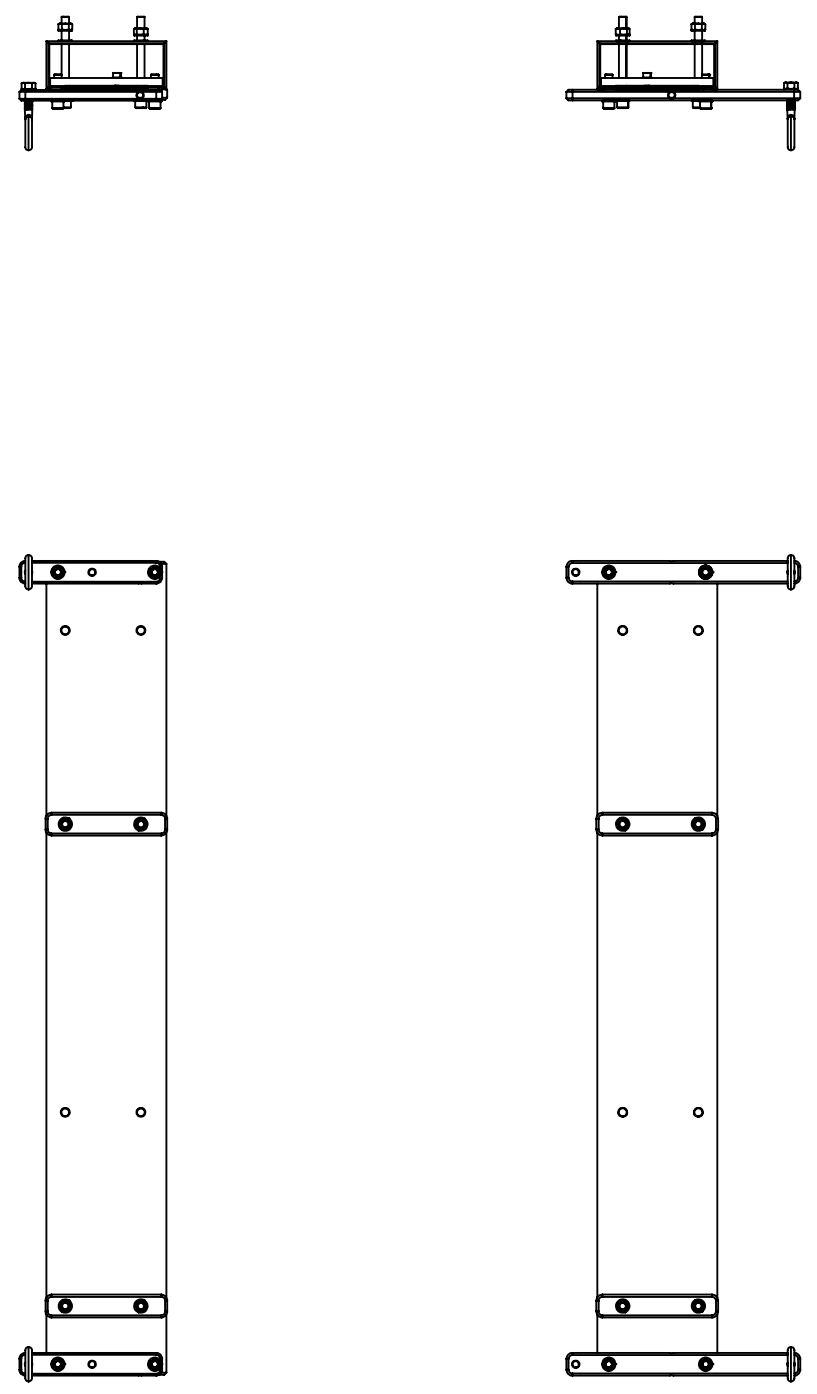
**LIGO** CALIFORNIA INSTITUTE OF TECHNOLOGY  
MASSACHUSETTS INSTITUTE OF TECHNOLOGY

SIZE	DWG. NO.	REV.
B	D1101130	V4
SCALE: NONE	PROJECTION:	SHEET 3 OF 4

D1101130 LIGO TMS TELESCOPE SAFETY SUPPORT BEAM ASSEMBLY, PART PDM REV: X-081, DRAWING PDM REV: X-015

8 7 6 5 4 3 2 1

D C B A



**LIGO** CALIFORNIA INSTITUTE OF TECHNOLOGY  
MASSACHUSETTS INSTITUTE OF TECHNOLOGY

SIZE	DWG. NO.	REV.
B	D1101130	V4
SCALE: NONE PROJECTION:		SHEET 4 OF 4

8 7 6 5 4 3 2 1