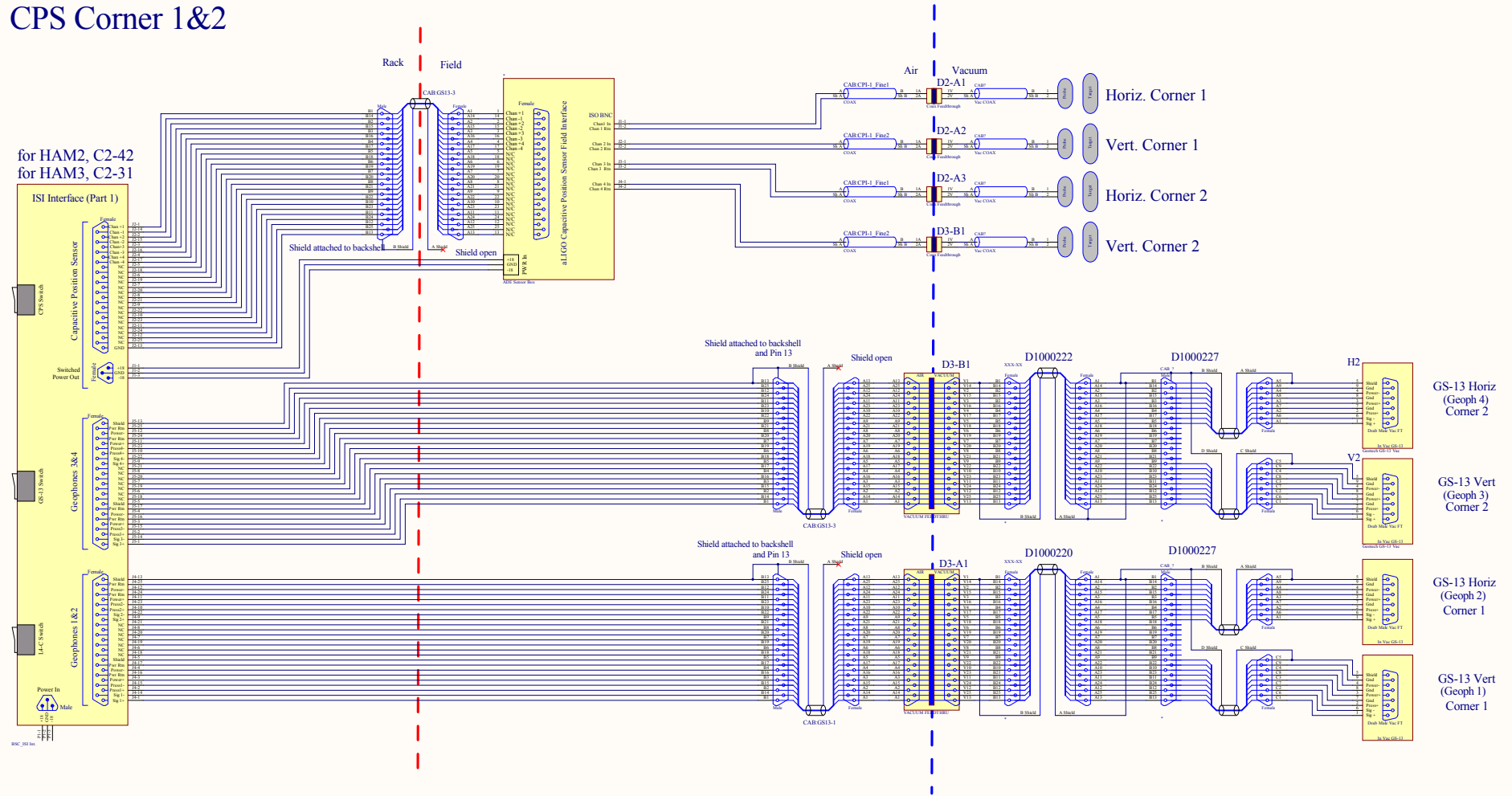


# Geophones Corner 1&2 CPS Corner 1&2

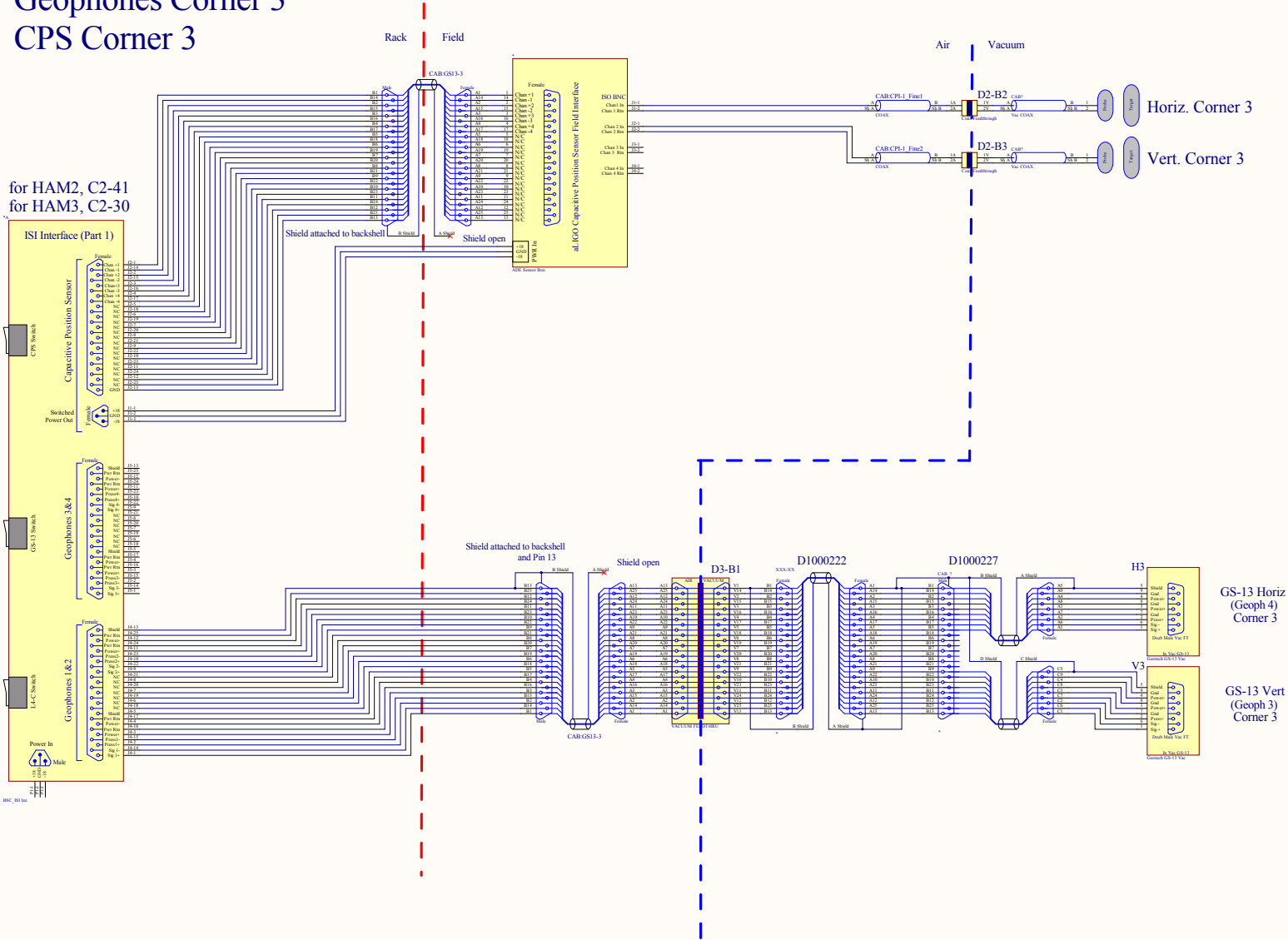
for HAM2, C2-42  
for HAM3, C2-31



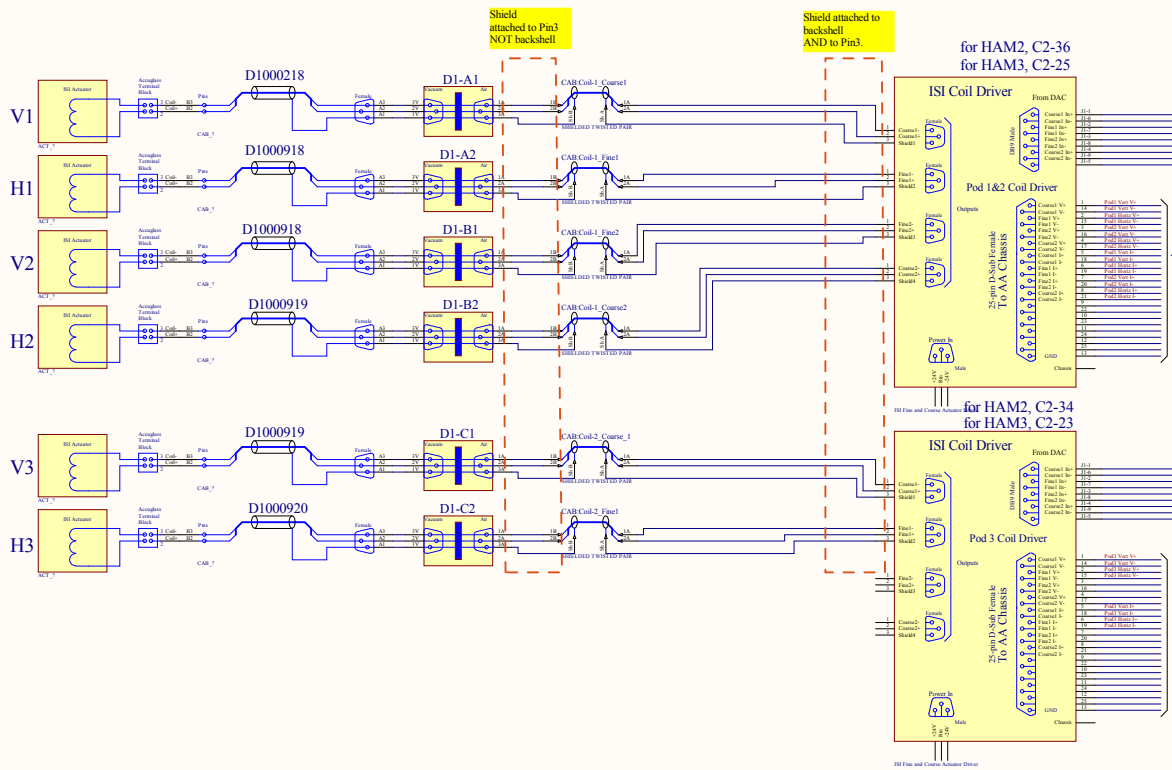
# Geophones Corner 3

## CPS Corner 3

for HAM2, C2-41  
for HAM3, C2-30







Shield attached to Pin3 NOT backshell

Shield attached to backshell AND to Pin3.

for HAM2, C2-36  
for HAM3, C2-25

for HAM2, C2-34  
for HAM3, C2-23

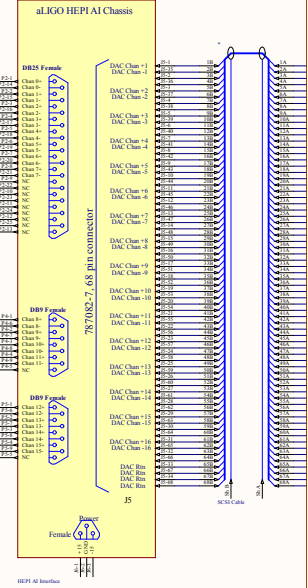
To HEPI 8-Chan. Valve Drivers

Shields are tied to the Male Backshell only.

To ADC Interface 1Y30-9 Sheet 3

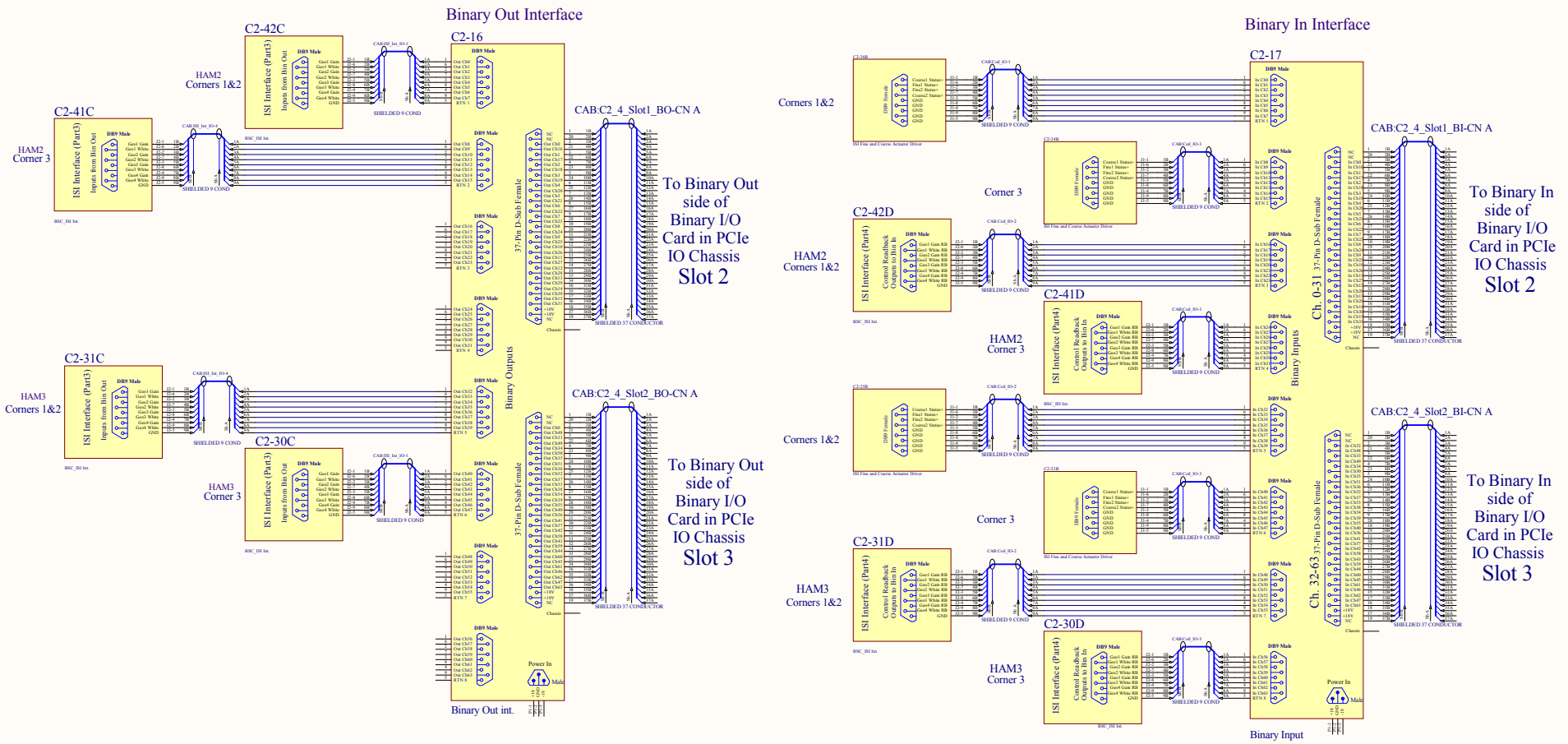
To ADC Interface 1Y30-9 Sheet 3

for HAM2, C2-37  
for HAM3, C2-26



General Standards DAC  
for HAM2, IO Chassis Slot 10  
for HAM3, IO Chassis Slot 11

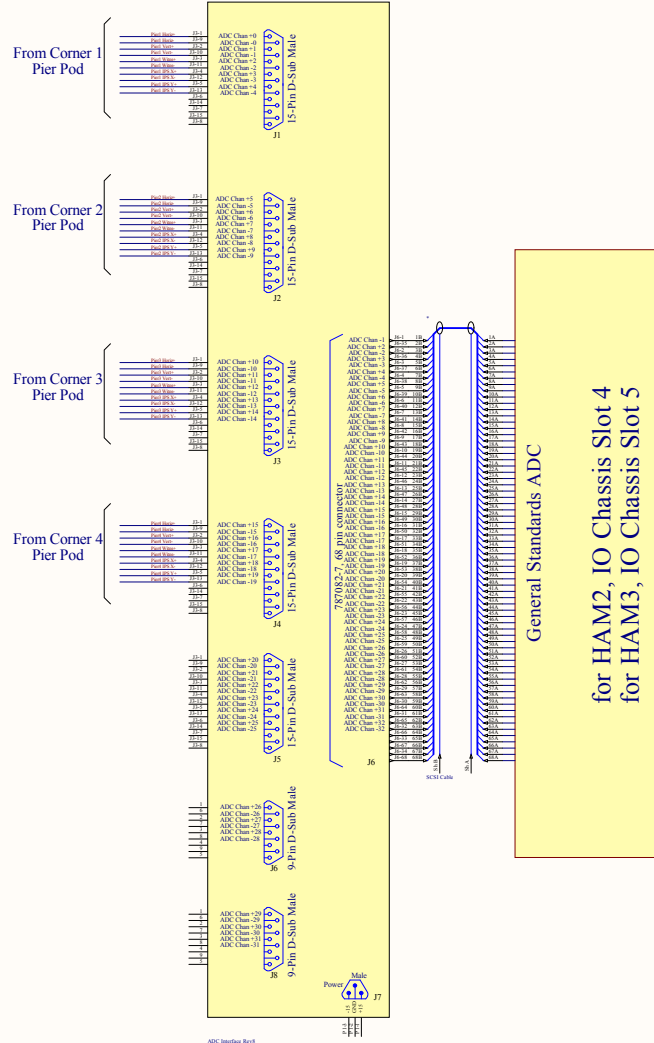
All cables on this page are off-the-shelf L-COM cables







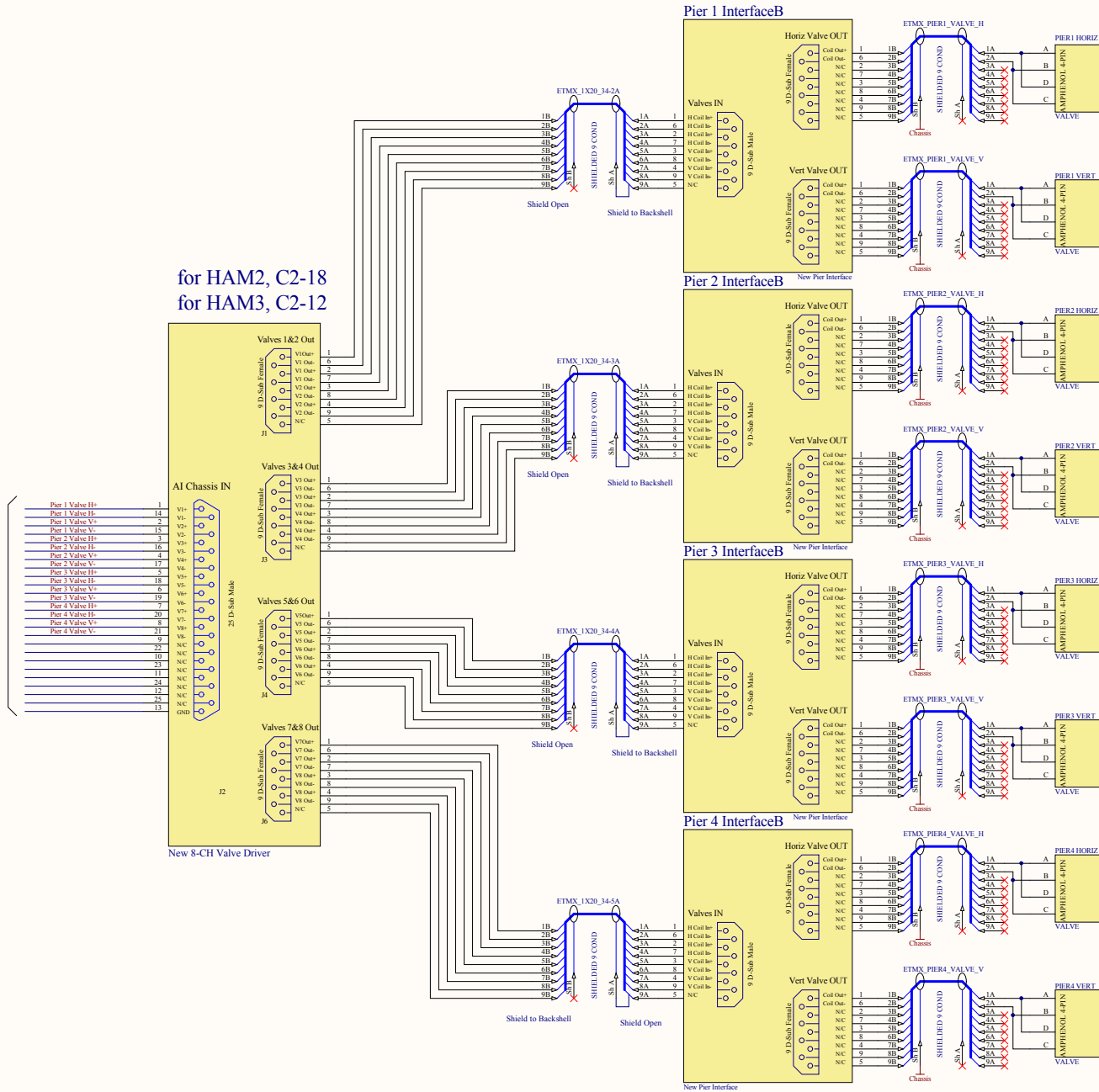
for HAM2, C2-20  
for HAM3, C2-14





From AI Chassis  
for HAM2, C2-37  
for HAM3, C2-26  
Page 4

for HAM2, C2-18  
for HAM3, C2-12



Title	alIGO HAMS 2&3 ISI System Schematics		
Size	C	DCC Number: D1101576	Ligo Project California Institute of Technology Massachusetts Institute of Technology
Drawn by:	Ben Abbott	Date: 11/3/2011	Revision: v4
<small>File: C:\rooted\Ben\Science\ISI Single Stage ISI\HAM3_1_system_schematics\HAM3_1_330304_P1Sheet 9_of 9</small>			