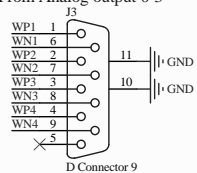
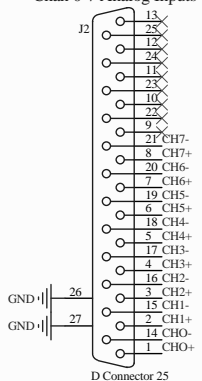


From Analog output 0-3



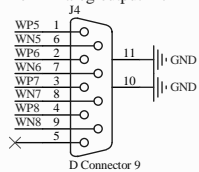
D Connector 9

Chan 0-7 Analog Inputs



D Connector 25

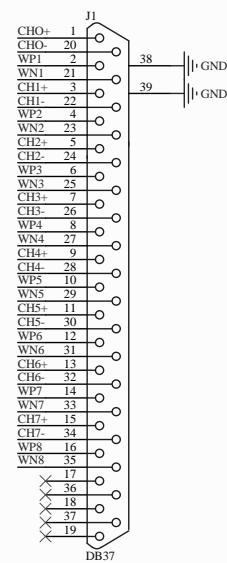
From Analog output 4-7



D Connector 9

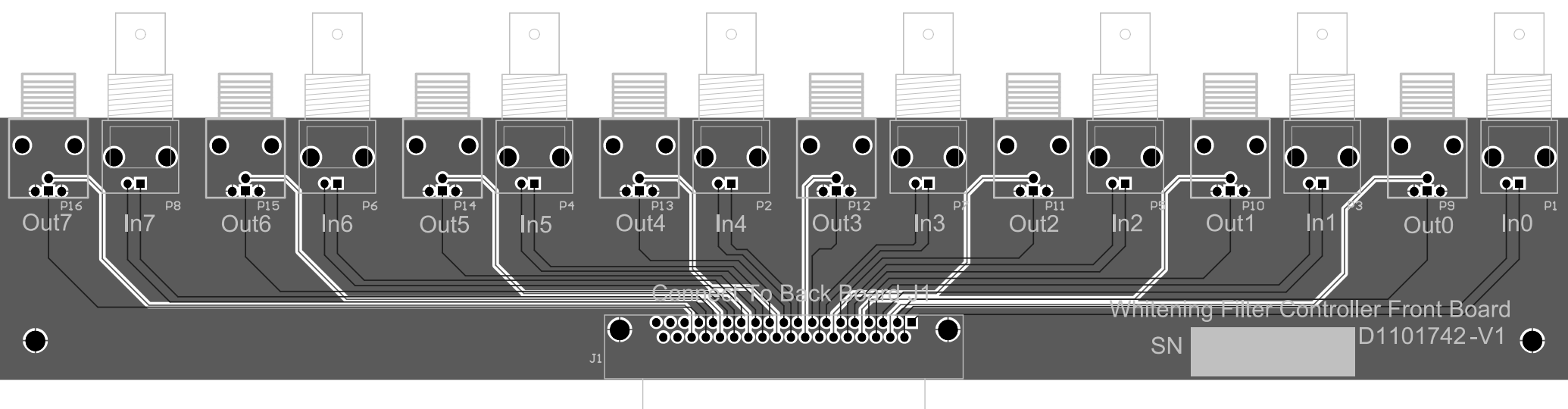
This connector contains all of the analog inputs and outputs.
It connects all these inputs/outputs to the front board inside the chassis.

To Front Board J1

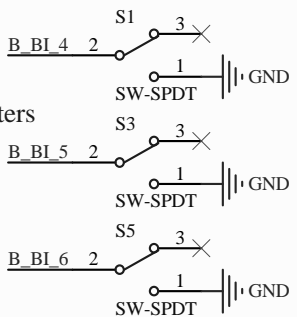


DB37

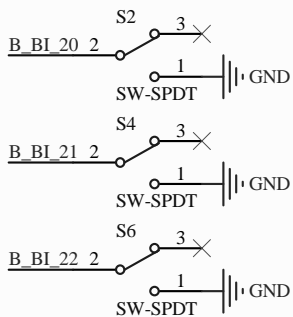
| | | | | | | | |
|--|----------------------|--|---------------------|---|--|------|--|
| Title | | ISC Whitening Filter Controller Back Board | | LIGO Project California Institute of Technology Massachusetts Institute of Technology | | LIGO | |
| Size: B | DCC Number: D1101745 | SCH / PCB Revision: v1 | Engineer: S. Abbott | Date: 9/17/2011 | | | |
| File: C:\Documents and Settings\sabbott\My Documents\My Designs\ISC_Gain_Filter_Board\Back_Board_ISC_Gain_Filter_SchDoc.rvt of * | | | | | | | |



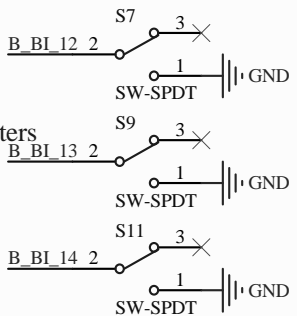
Channel 4 Filters



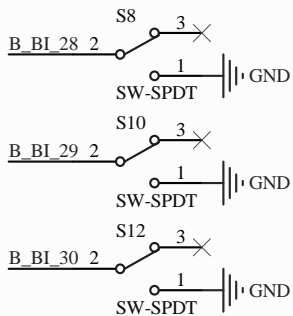
Channel 6 Filters



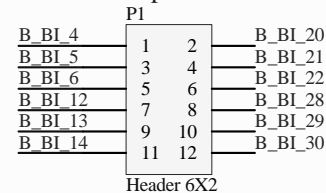
Channel 5 Filters



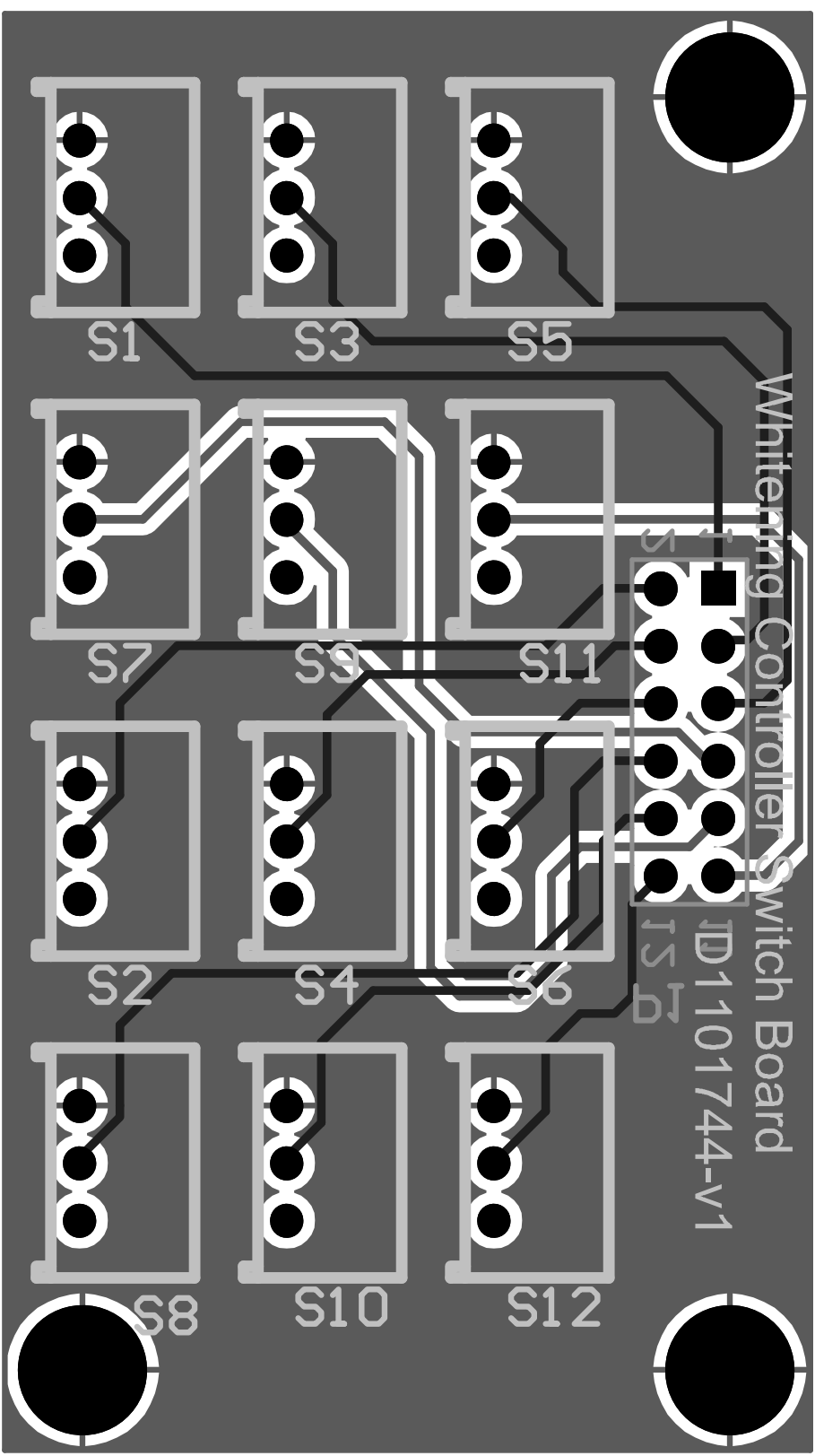
Channel 7 Filters



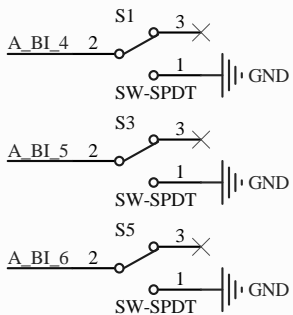
To Top Board P2



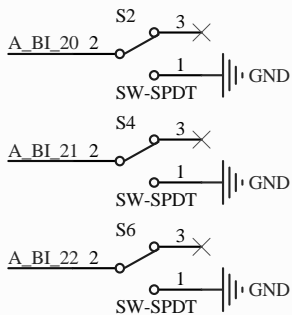
| | | | | | | |
|--|---------------|------------------------|--|------------------|------------------|--|
| Title | | | * ISC Whitening Filter Controller Switch Board 4-7 | | * LIGO | |
| Size: A | DCC Number: * | SCH / PCB Revision: v1 | Engineer: * | Date: 9/1/2011 | | |
| File: C:\Documents and Settings\sabbott\My Documents\My Designs\ISC_Gain_Filter_Board\ISC Gain Filter Switch Board | | | | Time: 2:19:03 PM | | |
| Sheet 4 of 4 | | | | | | |



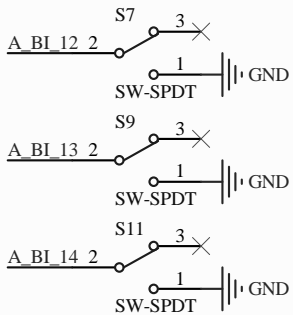
Channel 0 Filters



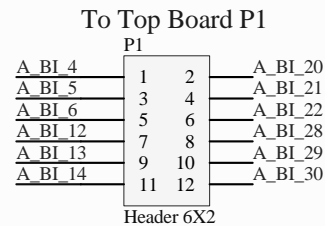
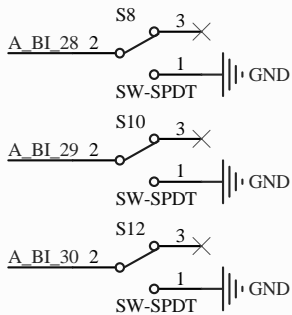
Channel 2 Filters



Channel 1 Filters



Channel 3 Filters



| | | | | | |
|---|----------------------|------------------------|-------------|----------------|------------------------------------|
| Title ISC Whitening Filter Controller Switch Board | | | * * * | | LIGO <small>LLNL</small> |
| Size: A | DCC Number: D1101744 | SCH / PCB Revision: v1 | Engineer: | Date: 9/1/2011 | |
| File: C:\Documents and Settings\sabbott\My Documents\My Designs\ISC_Gain_Filter_Board\Switch Board A ISC Gain Filter.SchDoc | | | | | Sheet 1 of * |

To Switch Board Chan. 0-3

To Binocular Output Module Board 0-3

Whitening Filter Controller Top Board
D1101743-v1

To Binocular Output Module Board 4-7

To Switch Board Chan. 4-7

Channel 0

Channel 1

Channel 2

Channel 3

Channel 4

Channel 5

Channel 6

Channel 7

SN

p1

p2

S1

S2

S3

S4

S5

S6

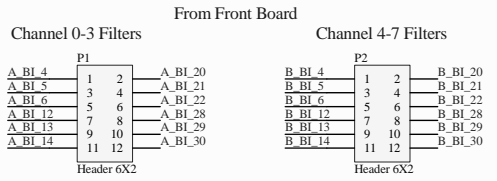
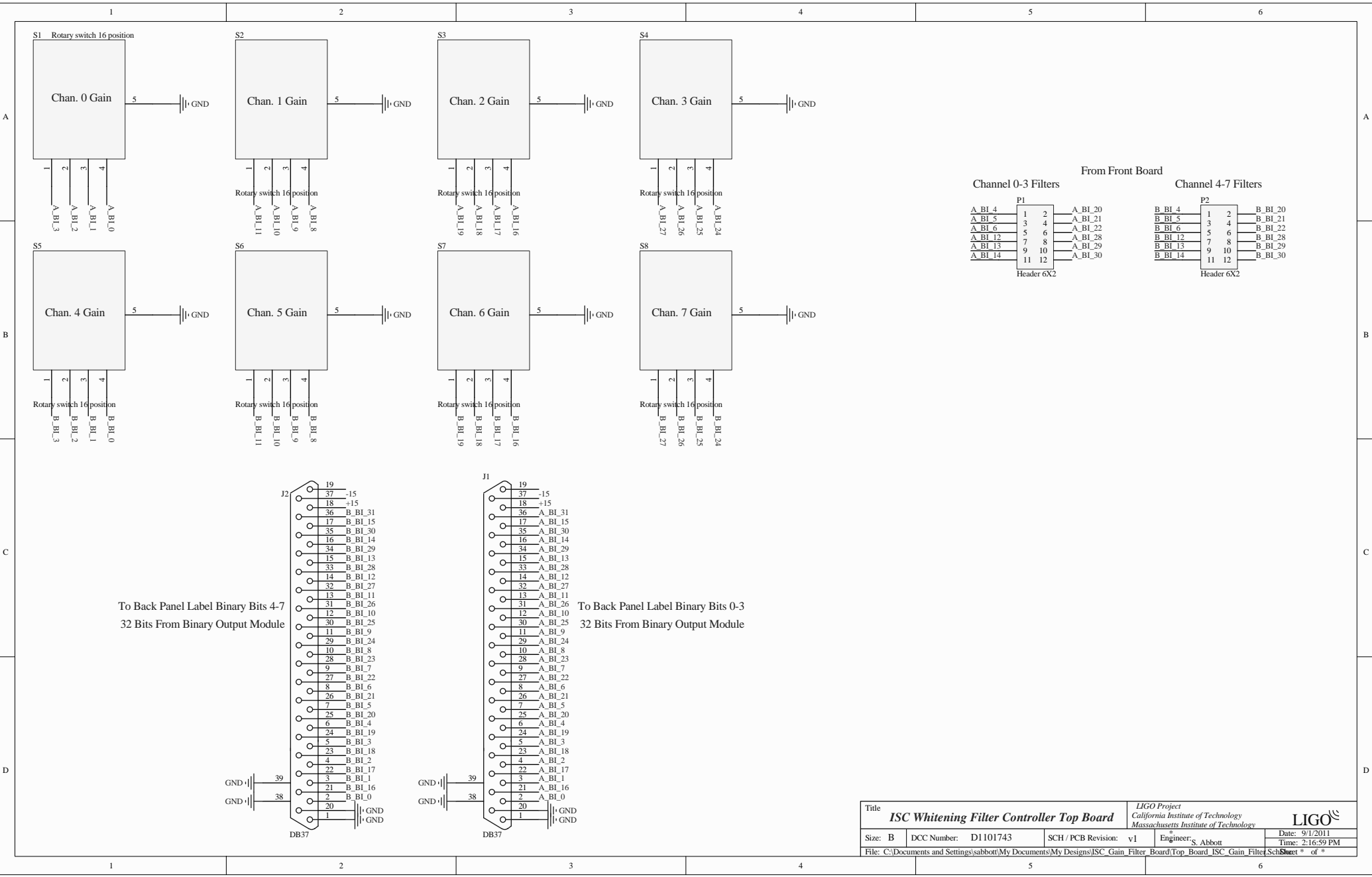
S7

S8

J1

J2



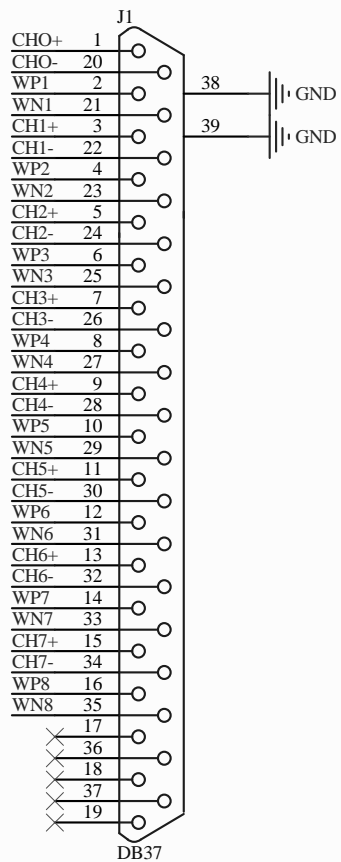


To Back Panel Label Binary Bits 4-7
32 Bits From Binary Output Module

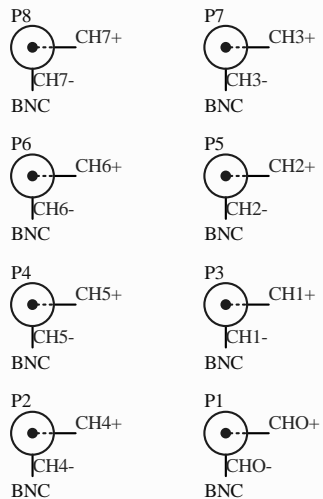
To Back Panel Label Binary Bits 0-3
32 Bits From Binary Output Module

| | | | | |
|---|----------------------|---|---------------------|-----------------|
| Title ISC Whitening Filter Controller Top Board | | LIGO Project California Institute of Technology Massachusetts Institute of Technology | | LIGO |
| Size: B | DCC Number: D1101743 | SCH / PCB Revision: v1 | Engineer: S. Abbott | Date: 9/11/2011 |
| File: C:\Documents and Settings\sabbott\My Documents\My Designs\ISC_Gain_Filter_Board\Top Board_ISC_Gain_Filter_Sch | | | | Sheet * of * |

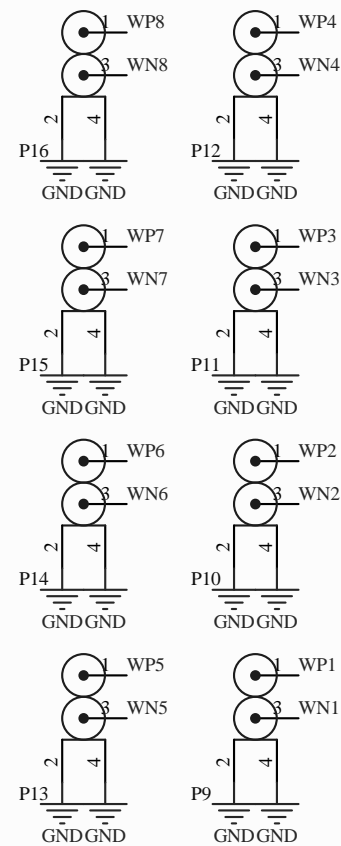
This connector contains all of the analog inputs and outputs.
 It connects all these inputs/outputs to the back board inside the chassis.



Analog Inputs

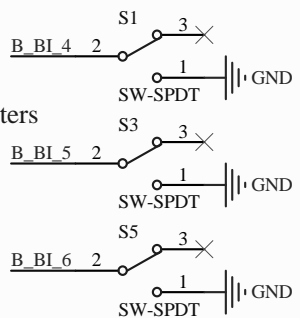


Analog Outputs

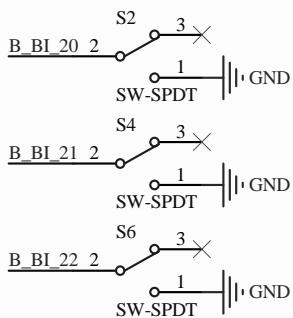


| | | | | | |
|---|----------------------|------------------------|-------------|----------------|---------------------------|
| Title ISC Whitening Filter Controller Front Board | | | * * * | | LIGO ^{cc} |
| Size: A | DCC Number: S1101742 | SCH / PCB Revision: v1 | Engineer: | Date: 9/1/2011 | |
| File: C:\Documents and Settings\sabbott\My Documents\My Designs\ISC_Gain_Filter_Board\ISC_Gain_Filter_Board.Sch | | | | | Doc Sheet * of * |

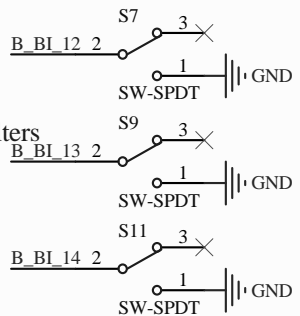
Channel 4 Filters



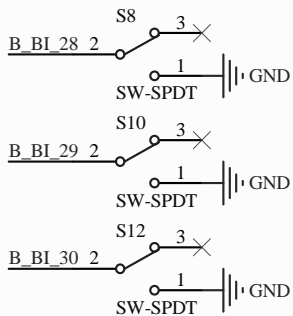
Channel 6 Filters



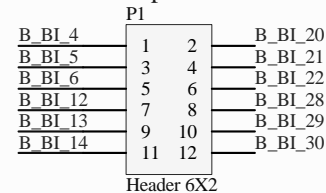
Channel 5 Filters



Channel 7 Filters



To Top Board P2



| | | | | | | |
|--|---------------|------------------------|--|------------------|------------------|--|
| Title | | | * ISC Whitening Filter Controller Switch Board 4-7 | | * LIGO | |
| Size: A | DCC Number: * | SCH / PCB Revision: v1 | Engineer: * | Date: 9/1/2011 | | |
| File: C:\Documents and Settings\sabbott\My Documents\My Designs\ISC_Gain_Filter_Board\ISC Gain Filter Switch Board | | | | Time: 2:19:03 PM | | |
| Sheet 4 of 4 | | | | | | |