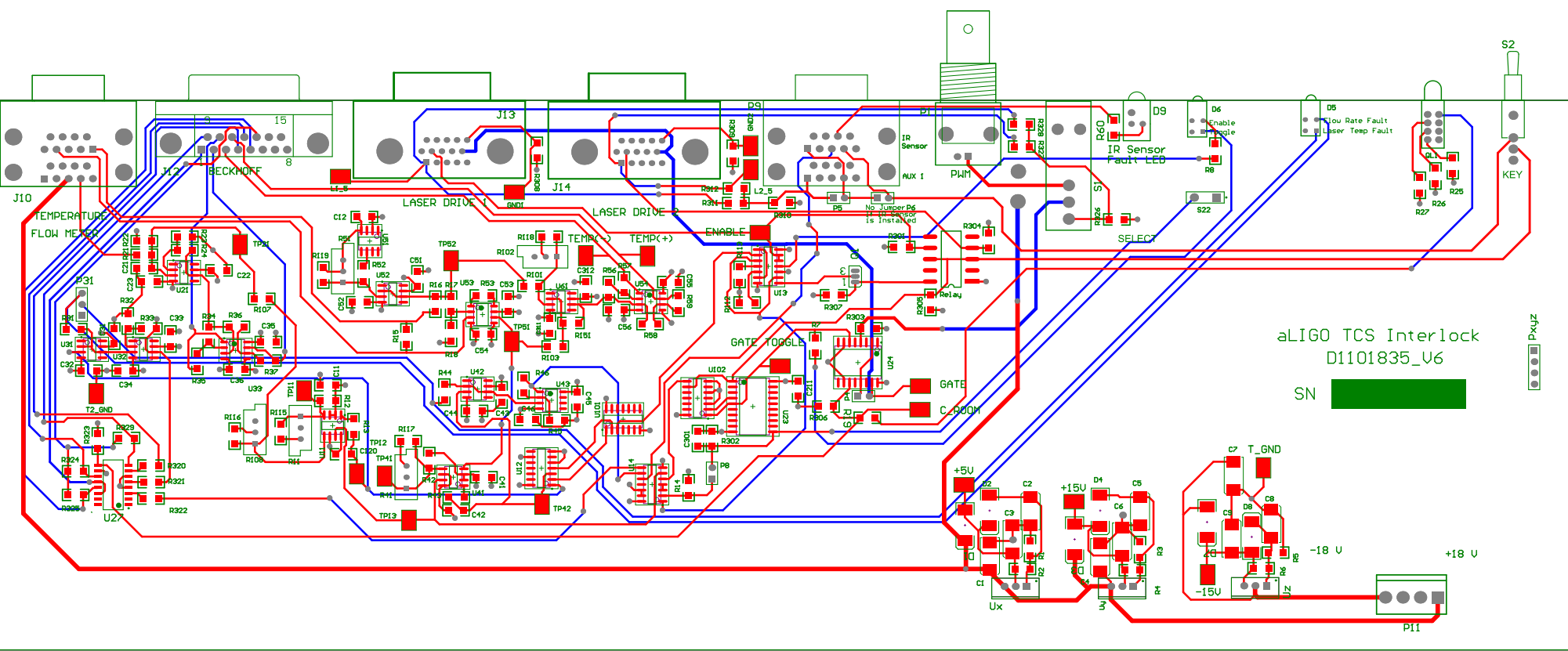


"Or" Temp Fault and IR Sense Fault.

For U12, U13, and U14 Pin 7 to GND, Pin14 to Vcc with 1uF bypass Capacitor in the layout

Title		aLIGO TCS Interlock Circuit	
Size:	C	DCC Number:	D1101835
Drawn by:	Shao & Steve	Date:	1/28/2014
File:	C:\ControlRoom\ASICS\TCS_ShiftContr_COOL_Laser	Revision:	v6
		Ligo Project California Institute of Technology Massachusetts Institute of Technology	



aLIGO TCS Interlock
D1101835_V6
SN [REDACTED]

PK4Z

P11