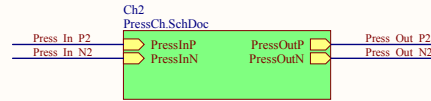
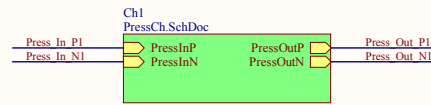
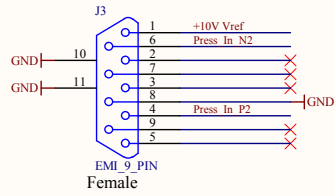
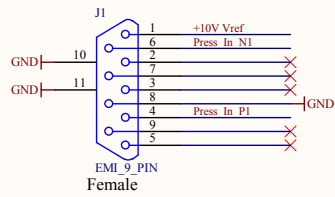
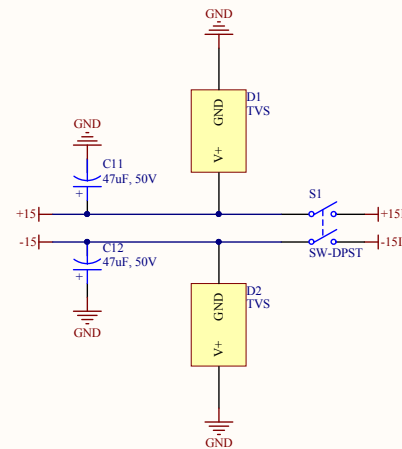
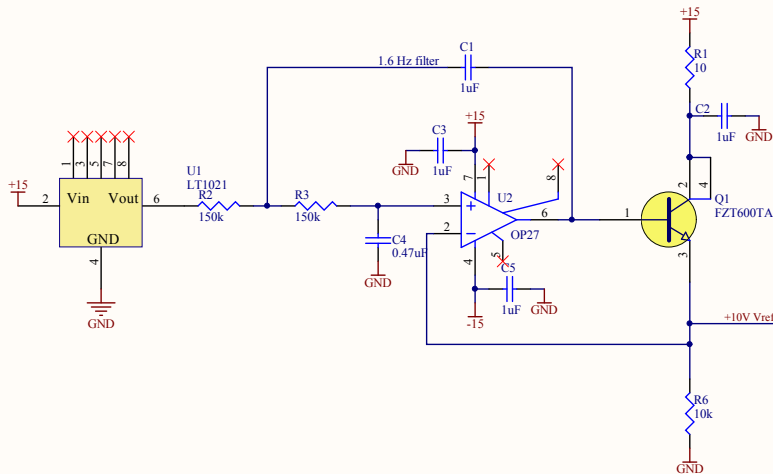
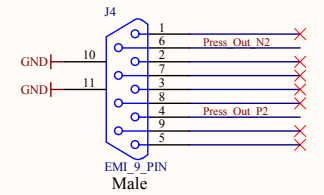
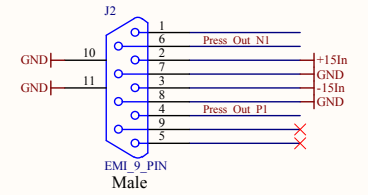


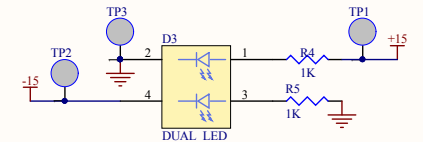
From Pressure Sensors



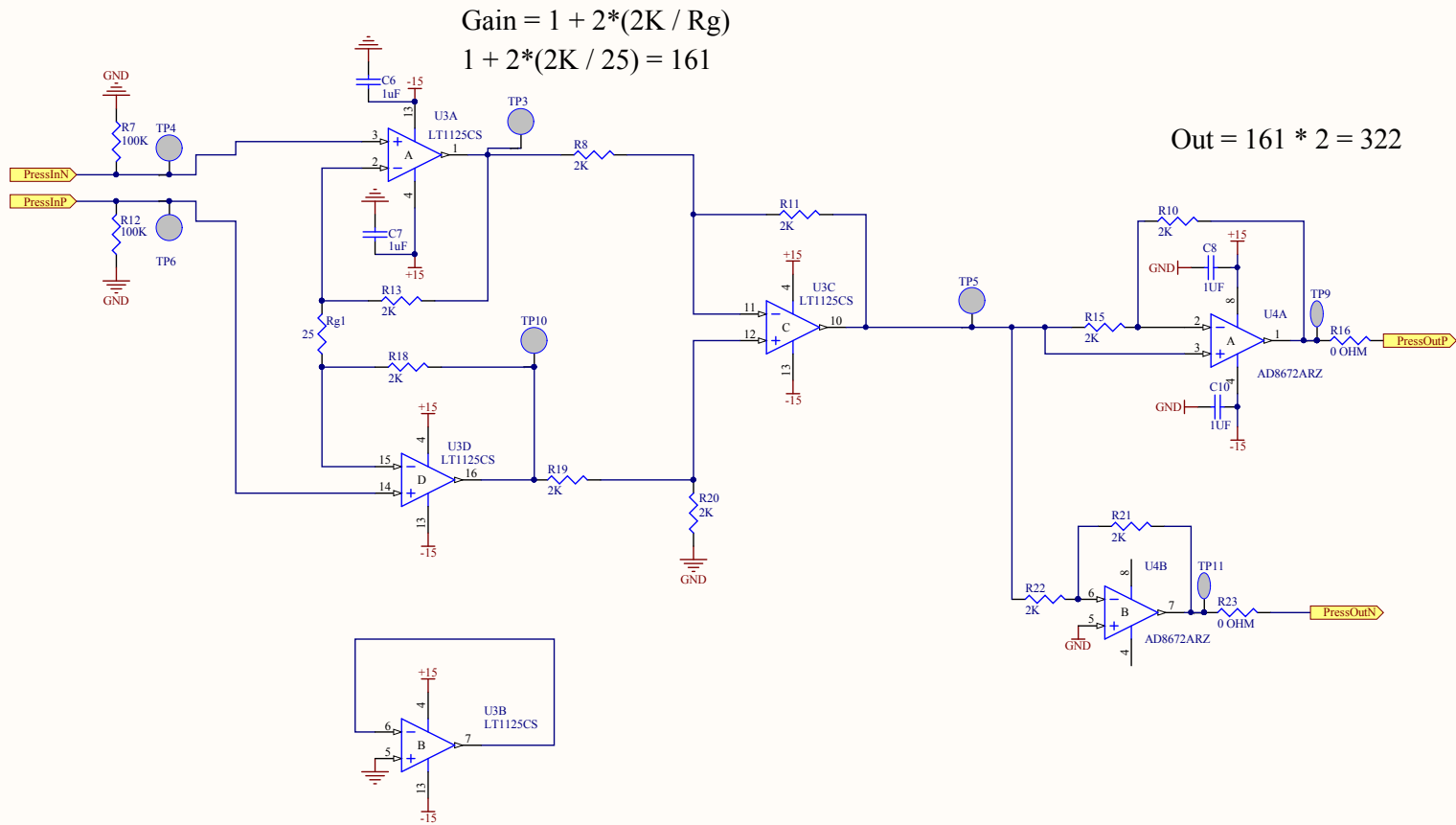
To Servo



Board Power Indicator



Title HEPI Pressure Preamp			
Size: B	DCC Number: D1101839	Ligo Project California Institute of Technology Massachusetts Institute of Technology	
Drawn by: Ben Abbott	Date: 1/5/2016	Revision: v2	Cannot open file C:\Restored\Ben\misc\ligo\ligo go_tjpe
File: C:\restored\Ben\HEPI\New_HEPI\pump\servo\PressureSatellite\Preamp\HEPI_Pressure_Preampl.sch Sheet 1 of 2			



Title HEPI Pressure Preamp			
Size: B	DCC Number: D1101839	Ligo Project California Institute of Technology Massachusetts Institute of Technology	
Drawn by: Ben Abbott	Date: 1/5/2016	Revision: V2	Cannot open file C:\Restored\Ben\miscellany\ligolo go.tjpe
File: C:\restored\Ben\HEPI\New HEPI pump servo\PressureSatellite\Presk\Dimension\403:32 AMSheet2 of 2			

Channel 1

Channel 2

HEPI Pressure Preamp D1101839 -v2

