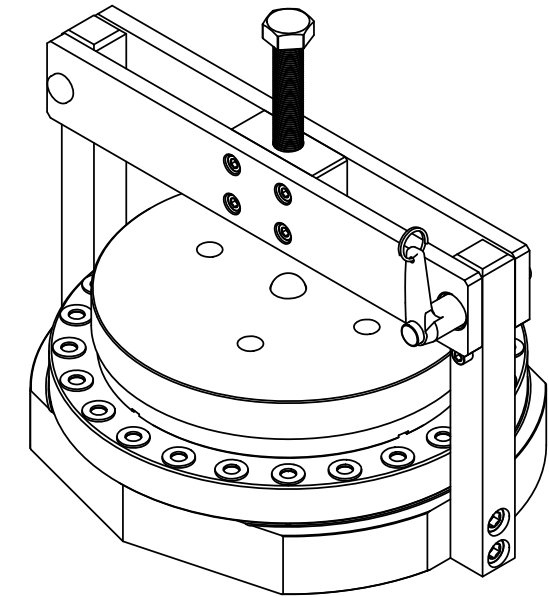


D1101939 ALIGO, AOS, VIEWPORT LEAK TEST FIXTURE ASSY, PART PDM REV: X-008, DRAWING PDM REV: X-012

REV.	DATE	DCN #	DRAWING TREE #
v1	11 OCT 2011	-	-
v5	09 DEC 2011	E1101181-x0	-
v6	26 JAN 2012	E1200079-x0	-

24	D1102318	ALIGO, AOS, VIEWPORT LEAK TEST FIXTURE, INTERNAL RELIEF RING, EXTENSION	-	-	-	-	1
23	D1102317-2	ALIGO, AOS, VIEWPORT LEAK TEST FIXTURE, INTERNAL RELIEF RING FOR MDC 450004	-	-	-	-	1
22	D102317-1	ALIGO, AOS, VIEWPORT LEAK TEST FIXTURE, INTERNAL RELIEF RING FOR NORCAL ZV 800	-	1	-	-	-
21	D1102317	ALIGO, AOS, VIEWPORT LEAK TEST FIXTURE, INTERNAL RELIEF RING FOR MDC 9722012	-	-	1	-	-
20	D1102284	ALIGO, AOS, VIEWPORT LEAK TEST FIXTURE, PROOF TEST CAP ASSY. (MDC450004)	-	-	-	-	1
19	90302A411 McMaster-CARR	QUICK RLS PIN, .50 DIA X 1.50 LG.	1	1	1	1	1
18	92735A515 McMaster-CARR	PIN. CLEVIS, .50 DIA. X 2.0 LG. W. RETAINING RING	1	1	1	1	1
17	PARKER NO.: 2-358	O-RING. 3/16 WIDE	1	-	-	-	-
16	PARKER NO.:2-367	O-RING. 3/16 WIDE	-	1	-	-	-
15	PARKER NO.:2-370	O-RING. 3/16 WIDE	1	1	1	1	1
14	PARKER NO.:2-267	O-RING. 1/8 WIDE	-	-	1	-	-
13	MS16995-81	SCREW, SHC, 3/8-16 X 1.0 LG.	4	4	4	4	4
12	MS16995-54	SCREW, SHC, 1/4-20 X 1.50 LG.	4	4	4	4	4
11	MS16995-48	SCREW, SHC, 1/4-20 X .50 LG.	1	1	1	1	1
10	D1102191	ALIGO, AOS, VIEWPORT LEAK TEST FIXTURE, PROOF TEST CAP ASSY. (CO2P VP)	-	-	-	1	-
9	D1101964	ALIGO, AOS, VIEWPORT LEAK TEST FIXTURE, PROOF TEST CAP ASSY. (MDC9722012)	-	-	1	-	-
8	D1101940	ALIGO, AOS, VIEWPORT TEST FIXTURE, SCREW, HH CAP	1	1	1	1	1
7	D1101938	ALIGO, AOS, VIEWPORT LEAK TEST FIXTURE, PROOF TEST CAP ASSY. (COML V.P)	-	1	-	-	-
6	D1101937	ALIGO, AOS, VIEWPORT LEAK TEST FIXTURE, BASE PLATE	1	1	1	1	1
5	D1101936	ALIGO, AOS, VIEWPORT LEAK TEST FIXTURE, PROOF TEST CAP ASSY. (HQ V.P)	1	-	-	-	-
4	D1101934	ALIGO, AOS, VIEWPORT LEAK TEST FIXTURE, THREADED LEAD SCREW MT. BLOCK	1	1	1	1	1
3	D1101933-1	ALIGO, AOS, VIEWPORT LEAK TEST FIXTURE, LEAD SCREW MT. BLOCK HORIZ. SUPPORT (C'BORE)	1	1	1	1	1
2	D1101933	ALIGO, AOS, VIEWPORT LEAK TEST FIXTURE, LEAD SCREW MT. BLOCK HORIZ. SUPPORT (THREADED)	1	1	1	1	1
1	D1101932	ALIGO, AOS, VIEWPORT LEAK TEST FIXTURE, HORIZ. SUPPORT MT. STUD	2	2	2	2	2
<b>ITEM NO.</b>	<b>PART NUMBER</b>	<b>DESCRIPTION</b>	<b>D1101939 QTY.</b>	<b>D1101939-1 QTY.</b>	<b>D1101939-2 QTY.</b>	<b>D1101939-3 QTY.</b>	<b>D1101939-4/QTY.</b>

PARTS LIST



ISO VIEW

APPLICATION	
PART NO.	'WHERE-USED'
D1101939	HQ V.P. HP V.P.
D1101939-1	COML V.P.
D1101939-2	MCD9722012
D1101939-3	CO2P
D1101939-4	MDC450004

NOTES AND TOLERANCES: (UNLESS OTHERWISE SPECIFIED)

MATERIAL N/A FINISH N/A μinch

CALIFORNIA INSTITUTE OF TECHNOLOGY MASSACHUSETTS INSTITUTE OF TECHNOLOGY		PART NAME	
SYSTEM ADVANCED LIGO SUB-SYSTEM AOS		ALIGO, AOS, VIEWPORT LEAK TEST FIXTURE ASSY.	
DESIGNER	J.LEWIS	07 OCT 2011	SIZE DWG. NO.
DRAFTER	E.SANCHEZ	11 OCT 2011	<b>B</b>
CHECKER	SEE DCC	SEE DCC	<b>D1101939</b>
APPROVAL	SEE DCC	SEE DCC	REV. <b>v6</b>
NEXT ASSY		MULTIPLE	
SCALE: 1:4		PROJECTION:	
		SHEET 1 OF 2	

8 7 6 5 4 3 2 1

8 7 6 5 4 3 2 1

D

D

C

C

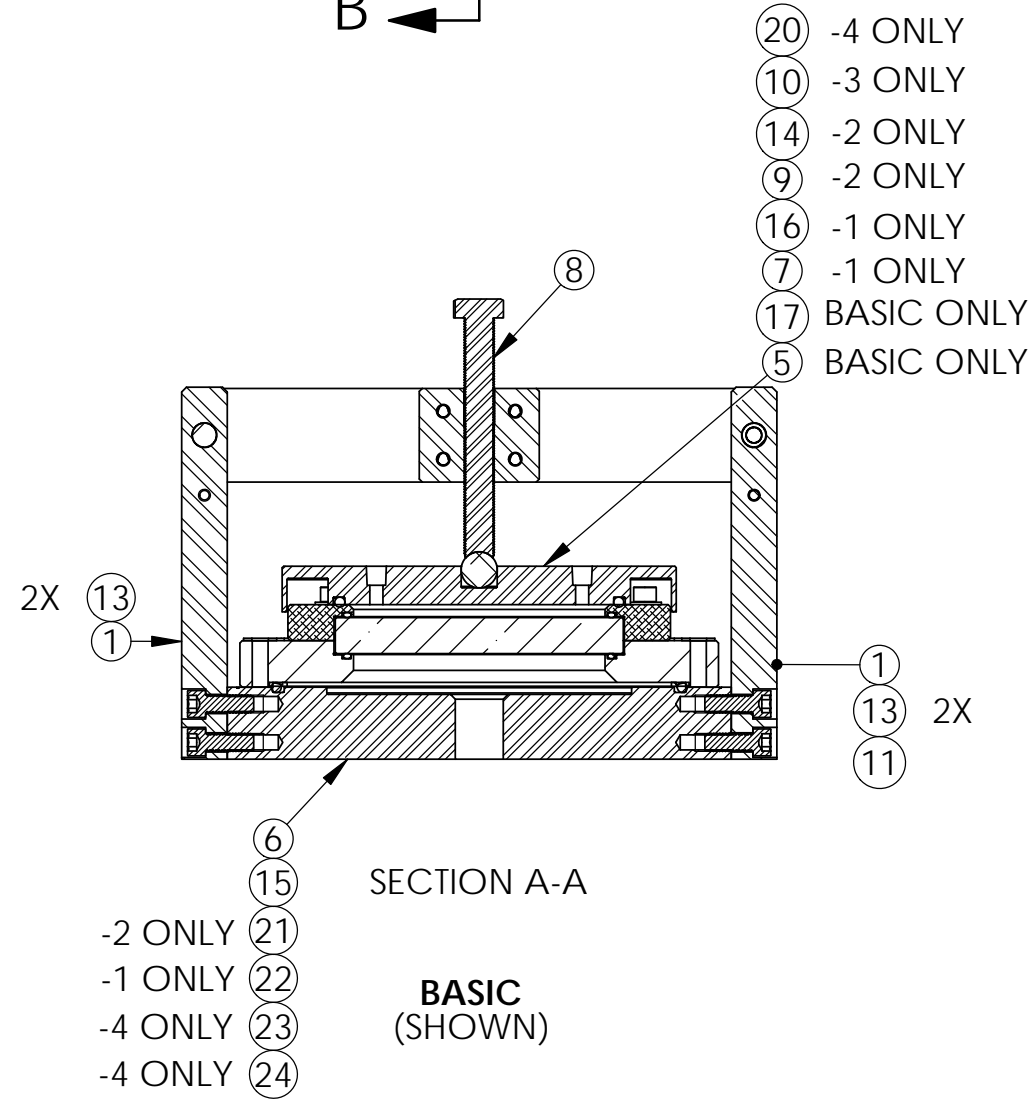
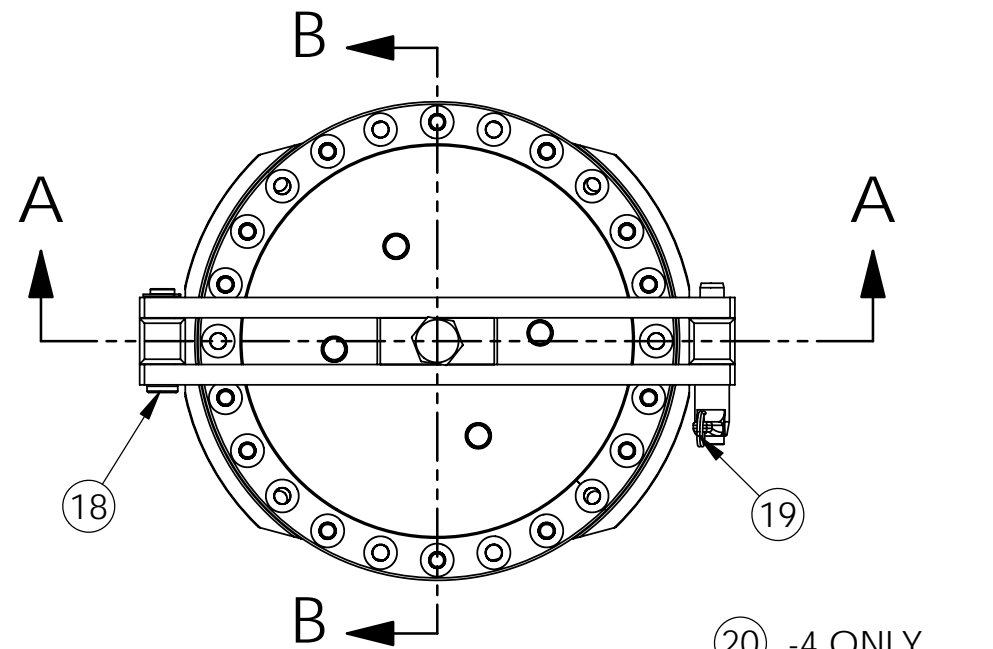
B

B

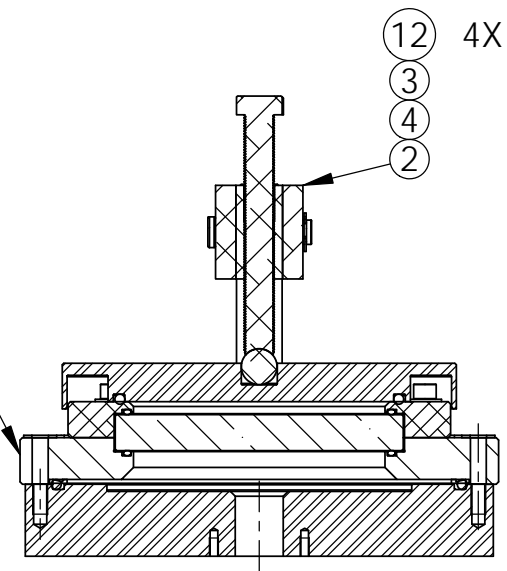
A

A

D1101939 aLIGO, AOS, VIEWPORT LEAK TEST FIXTURE ASSY, PART PDM REV: X-008, DRAWING PDM REV: X-012


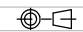


HQ V.P.  
SHOWN FOR REF. ONLY  
(NOT PART OF FINISHED ASSY.)



- (20) -4 ONLY
- (10) -3 ONLY
- (14) -2 ONLY
- (9) -2 ONLY
- (16) -1 ONLY
- (7) -1 ONLY
- (17) BASIC ONLY
- (5) BASIC ONLY

- 2 ONLY (21)
- 1 ONLY (22)
- 4 ONLY (23)
- 4 ONLY (24)

 CALIFORNIA INSTITUTE OF TECHNOLOGY MASSACHUSETTS INSTITUTE OF TECHNOLOGY		
SIZE <b>B</b>	DWG. NO. <b>D1101939</b>	REV. <b>V6</b>
SCALE: 1:4	PROJECTION: 	SHEET 2 OF 2