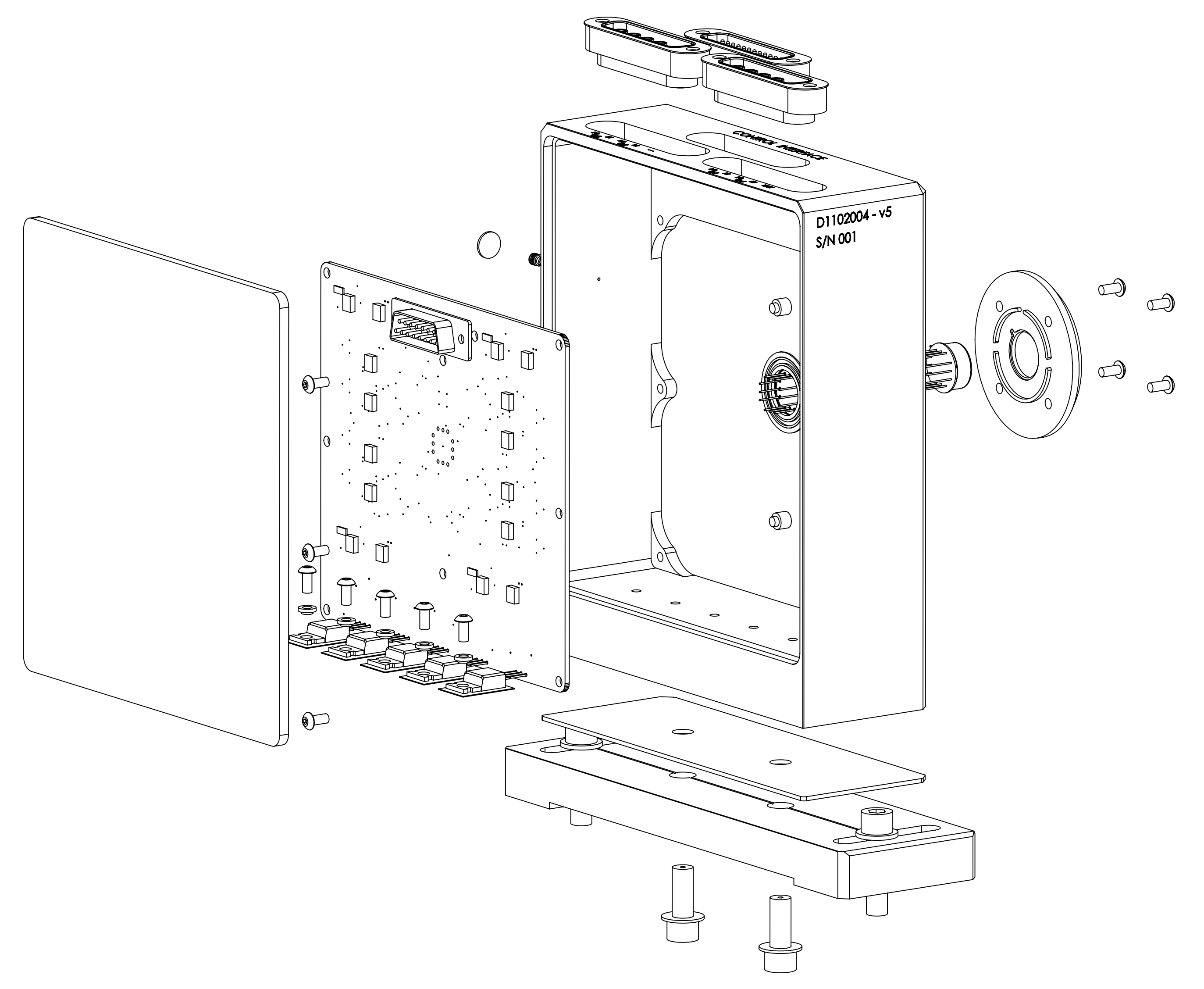
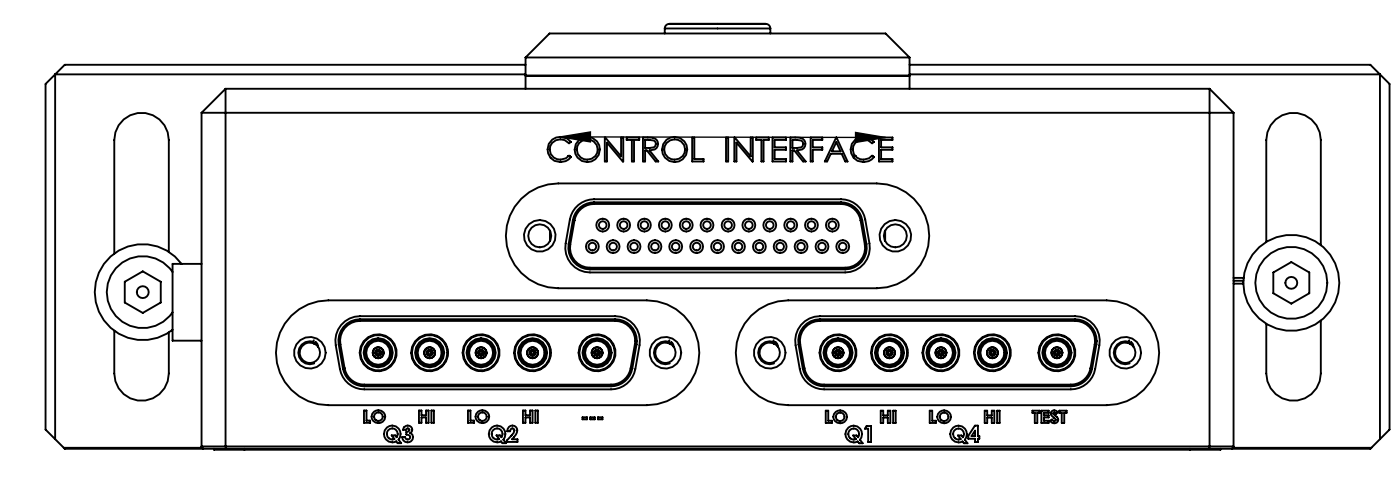
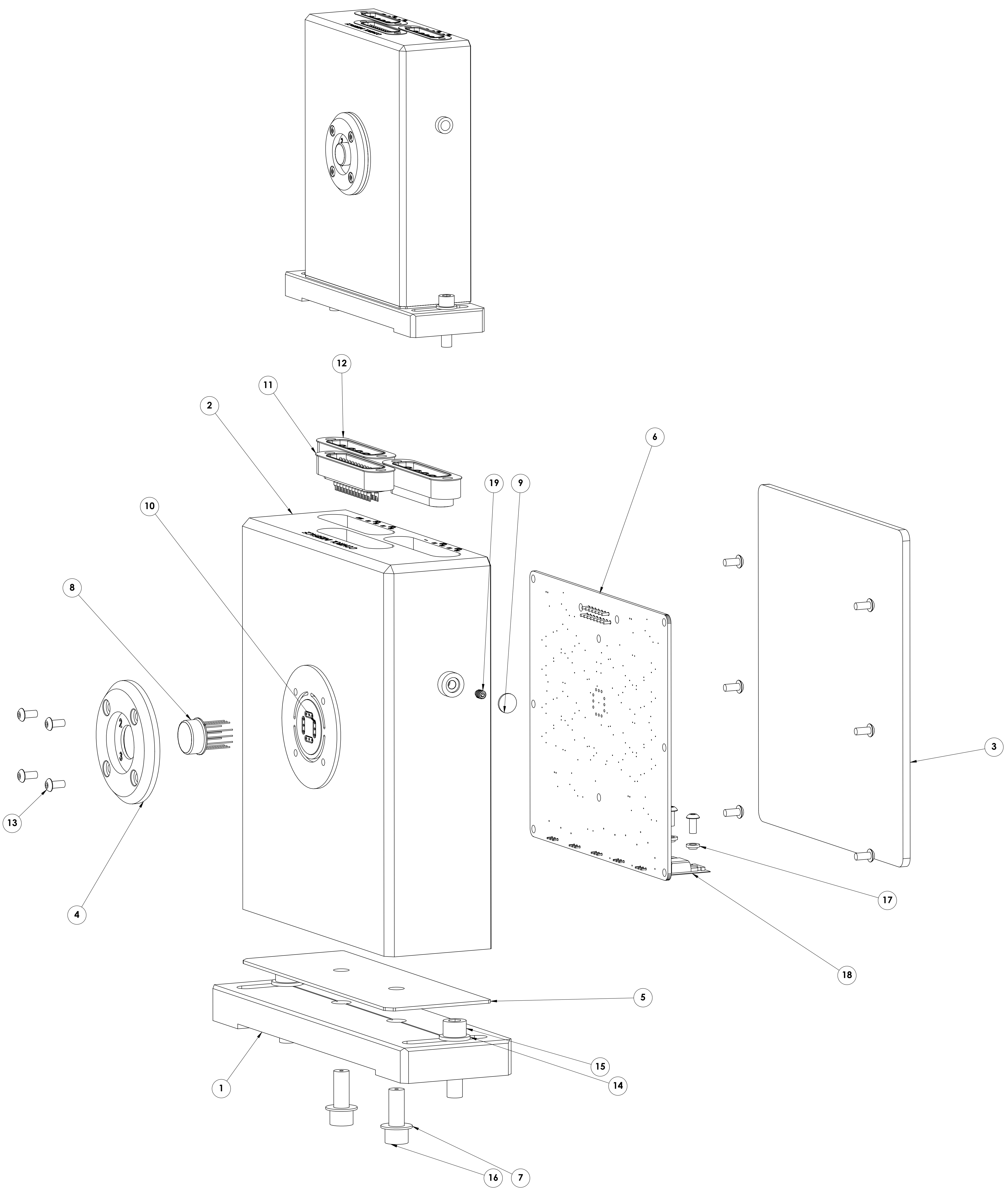


REV.	DATE	DCN #	DRAWING TREE #
V5	30 AUG 2012	E1200796	
V6	11 SEP 2012	E1200819	
V7	22 NOV 2024	E2400424	



ITEM NO.	PART NUMBER	DESCRIPTION	MATERIAL	REQ	SPARE	TOTAL
19	McMASTER 92311A143	SCREW PLUG, FILL PORT, GAS	18-8 SSSL	1		1
18	BER103-ND	PAD	Material <not specified>	5		5
17	TO-220	SHOULDER WASHER FOR #4 SCREW	Material <not specified>	5		5
16	UCC C-2010	SHCS 1/4-20 X .75" 18-8 VENTED	18-8 SSSL	2		2
15	UCC C-2016	SHCS 1/4-20 x 1" 18-8 Vented	18-8 SSSL	2		2
14	McMASTER_90313A_203	WASHER FLAT .26 ID X .50 OD X .05 THK	18-8 SSSL	2		2
13	UCC C-403	BHCS 4-40 X 3/16" 18-8 Vented	18-8 SSSL	15		15
12		WELD IN, MALE 5-WAY COAX CON, FOR VACUUM	Material <not specified>	2		2
11		WELD IN, MALE DB25 CONNECTOR, FOR VACUUM	Material <not specified>	1		1
10	930182-2	ASC IN VAC PHOTODIODE SOCKET	Material <not specified>	1		1
9	190046-1	WELD PLUG, PUCK, VACUUM PORT	304 SSSL	1		1
8		InGaAs-3000 QPD		1		1
7	D1102010	ASC VAC ENCLOSURE - PEEK WASHER kt250 oad511 fh031	PEEK	2		2
6	D1102009	ASC VAC PCB ASSEMBLY		1		1
5	D1102007	ASC VAC Enclosure - alumina spacer alIGO	ALUMINA	1		1
4	D1102006	ASC VAC Enclosure - photo hood bracket alIGO	6061-T6 Al	1		1
3	D1102005	ASC VAC ENCLOSURE - LID alIGO	304 SSSL	1		1
2	D1102004	ASC VAC Enclosure - main body alIGO	304 SSSL	1		1
1	D1102003	ASC VAC Enclosure - BASE alIGO	6061-T6 Al	1		1

NOTES AND TOLERANCES: (UNLESS OTHERWISE SPECIFIED)		CALIFORNIA INSTITUTE OF TECHNOLOGY MASSACHUSETTS INSTITUTE OF TECHNOLOGY		<b>PART NAME</b> ASC VAC Enclosure TOP ASSEM alIGO	
MATERIAL		SYSTEM <b>ADVANCED LIGO</b>		SUB-SYSTEM <b>ISC</b>	
FINISH		DESIGNER RABBOTT		DATE JUL 2012	
NEXT ASSY		DRAFTER SBARRUM		SIZE E	
		CHECKER RABBOTT		DWG. NO. <b>D1102002</b>	
		APPROVAL PRRITSCHEL		REV. <b>v7</b>	
		SCALE: 1:1		PROJECTION:	

D1102002 ASC VAC Enclosure TOP ASSEM alIGO.dwg PPRITSCHEL X 2024 DRAWING PDR/REV X X02