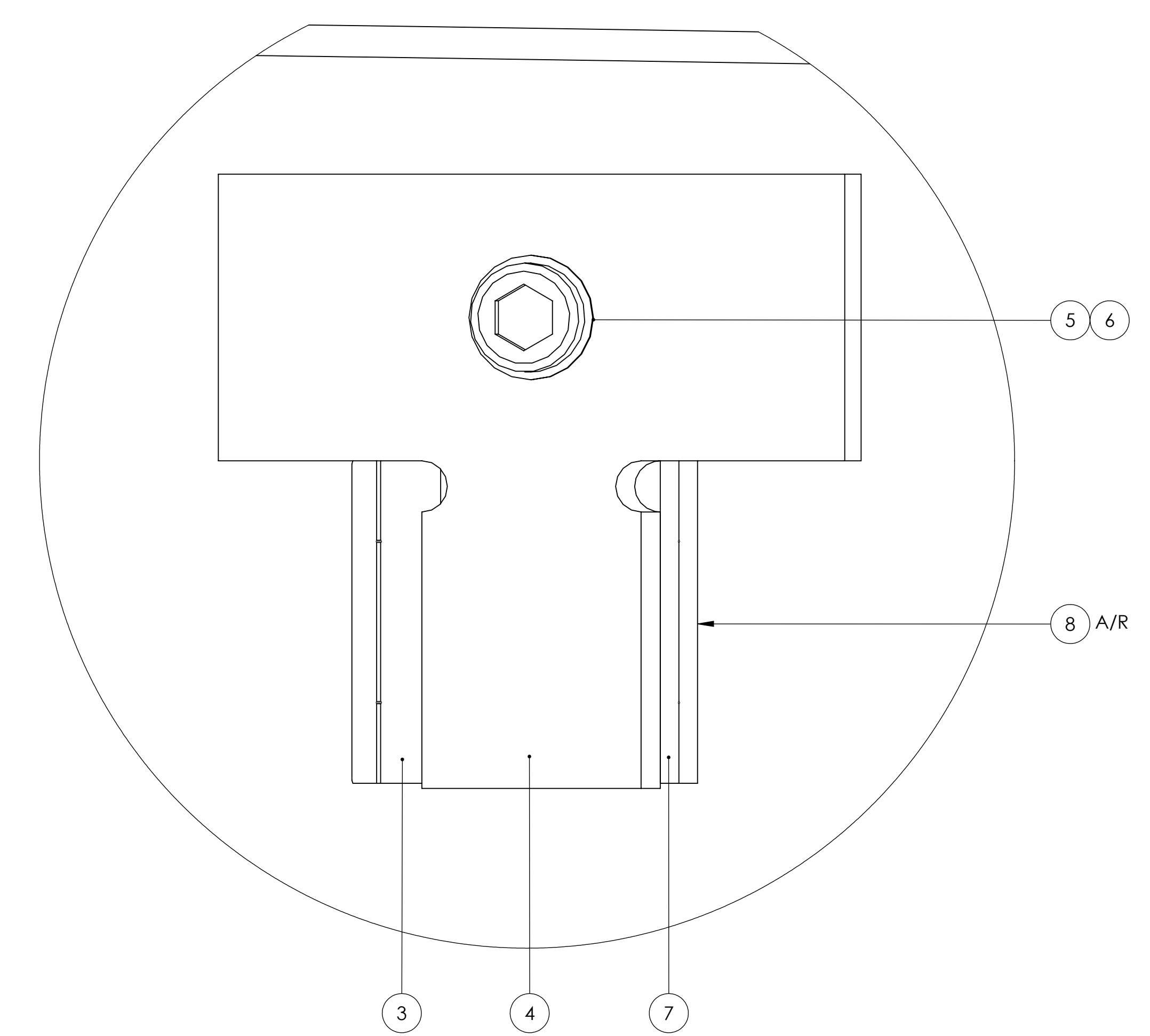
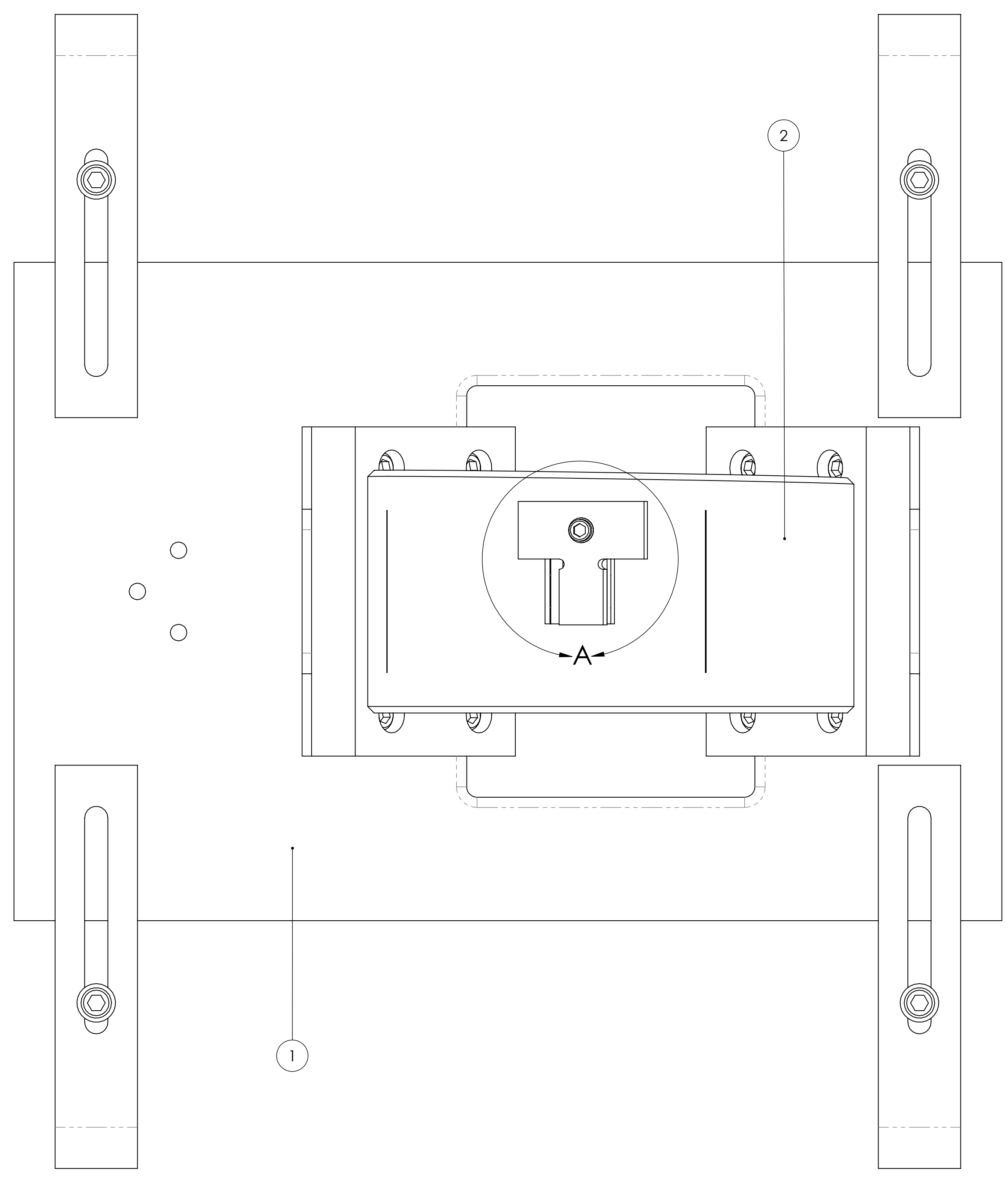


| REV. | DATE | DCN # | DRAWING TREE # |
|------|-------------|----------|----------------|
| v1 | 28 OCT 2011 | E1101061 | E1000035 |
| - | - | - | - |
| - | - | - | - |



DETAIL A
SCALE 4:1

| ITEM NO. | PART NUMBER | DESCRIPTION | MATERIAL | REQ | SPARE | TOTAL |
|----------|---|---|----------------------|-----|-------|-------|
| 8 | - | UHV-COMPATIBLE ADHESIVE (MASTERBOND EP30-2 OR EQUIVALENT) | - | A/R | 0 | 0 |
| 7 | D0901278 | SECONDARY METAL PRISM, HSTS | 304, 316 OR 302 SSSL | 1 | 0 | 1 |
| 6 | - | SCREW, SOCKET HEAD CAP, #8-32 UNC-2A X 0.375 LONG | 300 SSSL | 1 | 0 | 1 |
| 5 | - | WASHER, FLAT, #8 (NAS 620-C8L OR EQUIVALENT) | 300 SSSL | 1 | 0 | 1 |
| 4 | D1102103 | SECONDARY PRISM PLACEMENT FIXTURE, GLASS OPTIC | PTFE | 1 | 0 | 1 |
| 3 | D0810033 | PRISM BREAKOFF, LOWER WIRE, OPTIC, HSTS | SAPPHIRE | 1 | 0 | 1 |
| 2 | D070091, D070092, D080740, D0901172, D0901173, D0901174, D0901175, D0901176, D0901177, D0901178 OR D0901179 | HSTS OPTIC (IMCF, IMCC, F-IMCC, PRM, F-PRM, SRM, F-SRM, PR2, F-PR2, SR2 OR F-SR2) | GLASS | 1 | 0 | 1 |
| 1 | D0902658 | OPTIC HOLDER, HAM TRIPLE SUS. | N/A | 1 | 0 | 1 |

NOTES AND TOLERANCES: (UNLESS OTHERWISE SPECIFIED)

LIGO CALIFORNIA INSTITUTE OF TECHNOLOGY
MASSACHUSETTS INSTITUTE OF TECHNOLOGY

SYSTEM: ADVANCED LIGO SUB-SYSTEM: SUS

PART NAME: SECONDARY PRISM PLACEMENT ARRANGEMENT, GLASS OPTIC

| | | | | | |
|----------|------------|-------------|----------|----------|------|
| DESIGNER | D. BRIDGES | 31 OCT 2011 | SIZE | DWG. NO. | REV. |
| DRAFTER | D. BRIDGES | 03 NOV 2011 | D | D1102104 | v1 |
| CHECKER | B. MOORE | 04 NOV 2011 | APPROVAL | | |

SCALE: 1:1 PROJECTION:

| | | | | | |
|----------|-----|--------|-----------|-----------|--------------------------------|
| MATERIAL | N/A | FINISH | N/A μinch | NEXT ASSY | HSTS OVERALL ASSY AND FIXTURES |
|----------|-----|--------|-----------|-----------|--------------------------------|

D:\102104_Advanced\UCO_305_HSTS_Secondary_Prism_Placement\Fixture_Arrangement_Glass_Optic_PART_PDM_REV_X.000.DRAWING.PDM.REV.