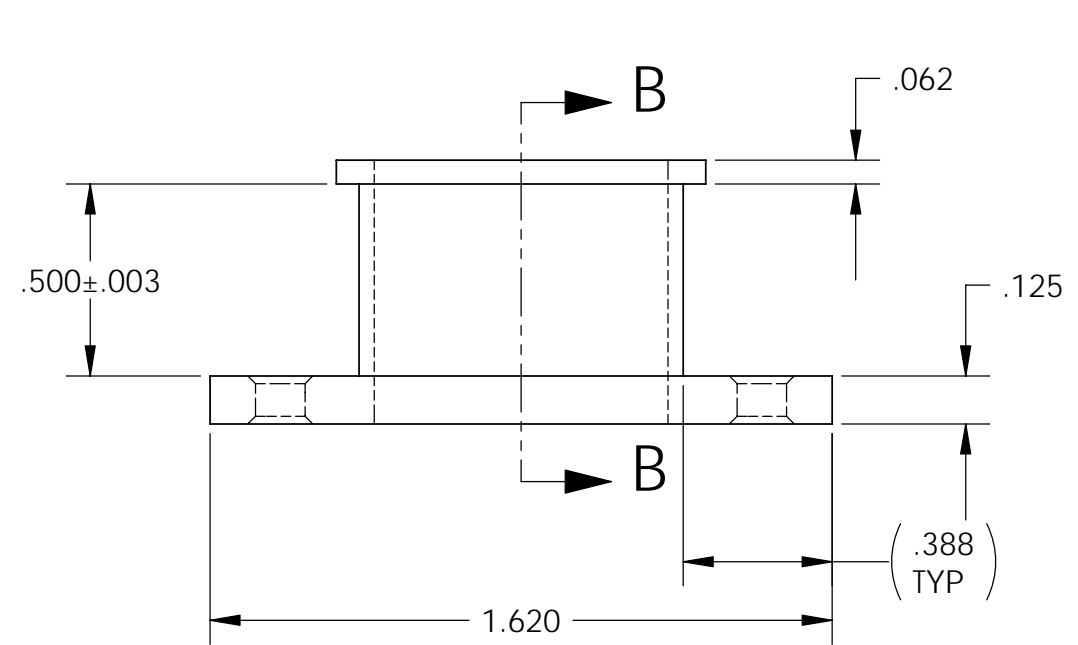
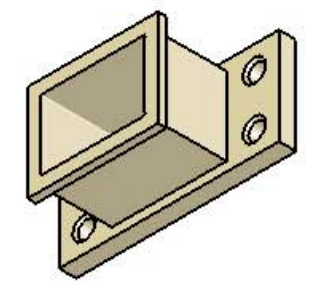
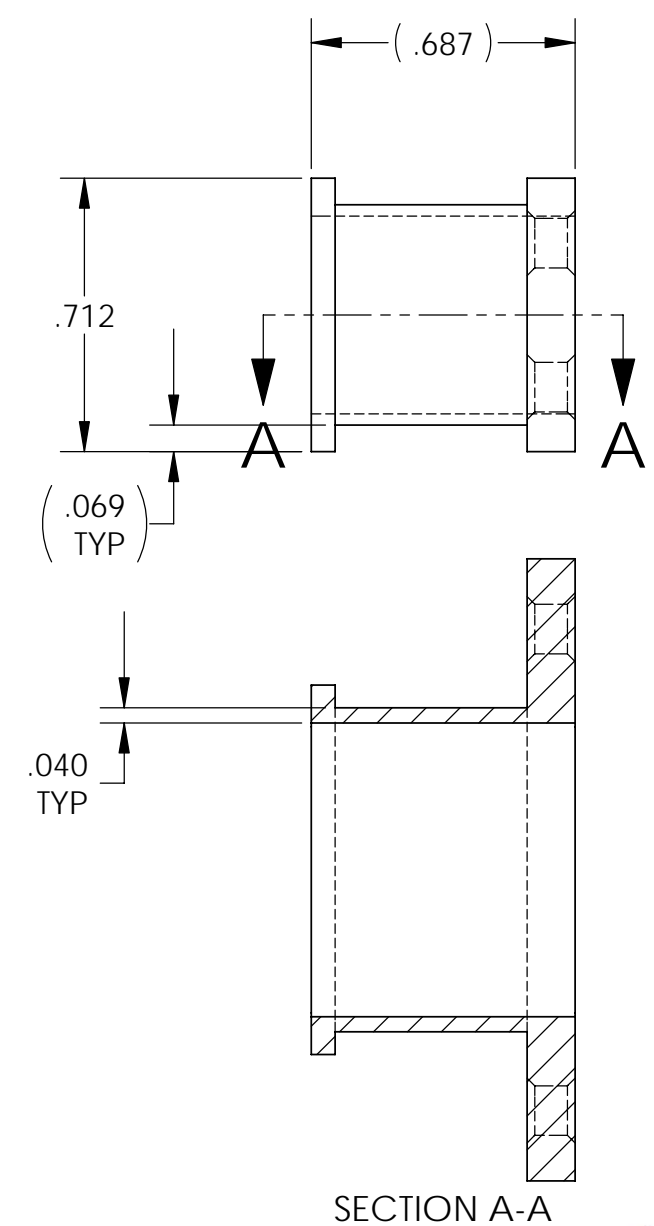
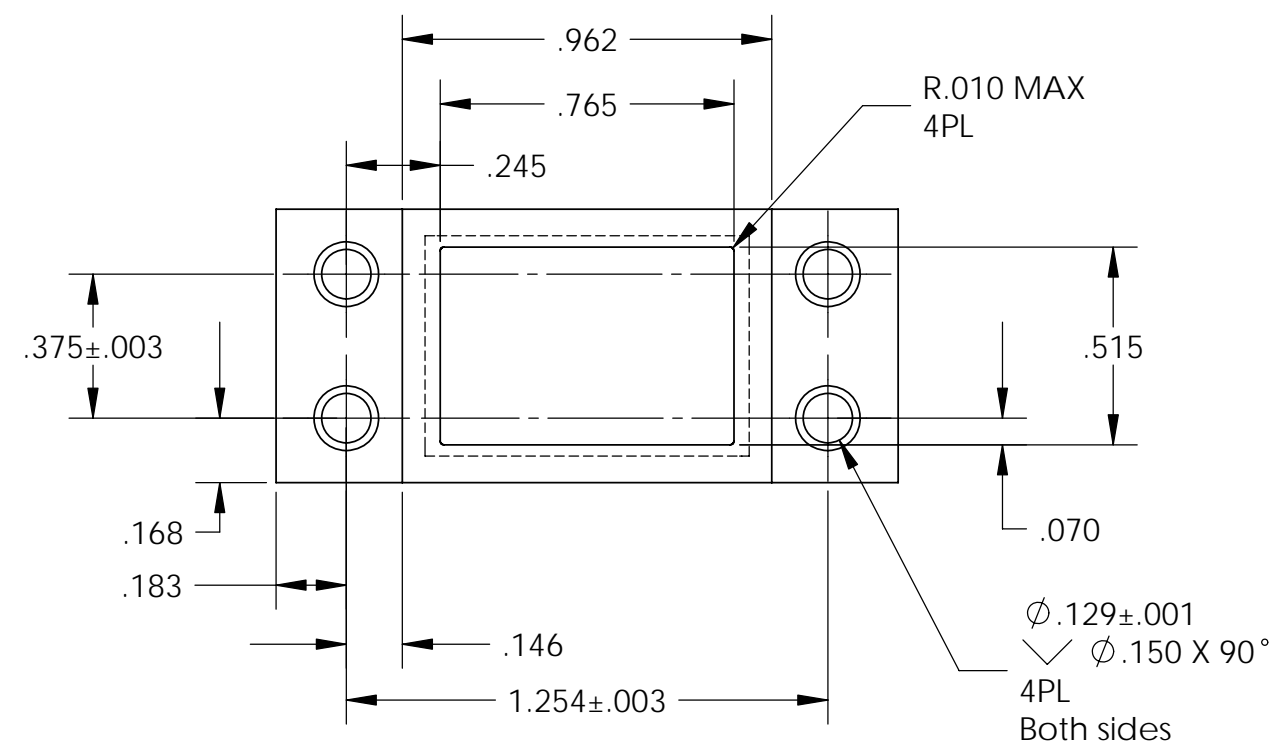


REVISIONS				
ZONE	REV.	DESCRIPTION	DATE	APPROVED
	D	Changed sheet format.	2/24/2011	K Singh



Notes:
Material: Peek, Victrex Grade TDS-450G

Unless otherwise specified
All dimensions are in inches.
Tolerances: Decimal: x.x ±.05, x.xx ±.01
x.xxx ±.005
Angular: x.x ±1°

Bobbin OBL Coil Form

LIGO CALIFORNIA INSTITUTE OF TECHNOLOGY
MASSACHUSETTS INSTITUTE OF TECHNOLOGY

SIZE DWG. NO.	3510-260	REV.	D
SCALE: 1:1	PROJECTION:	SHEET 1 OF 1	

Draw2, PART PDM REV: , DRAWING PDM REV: