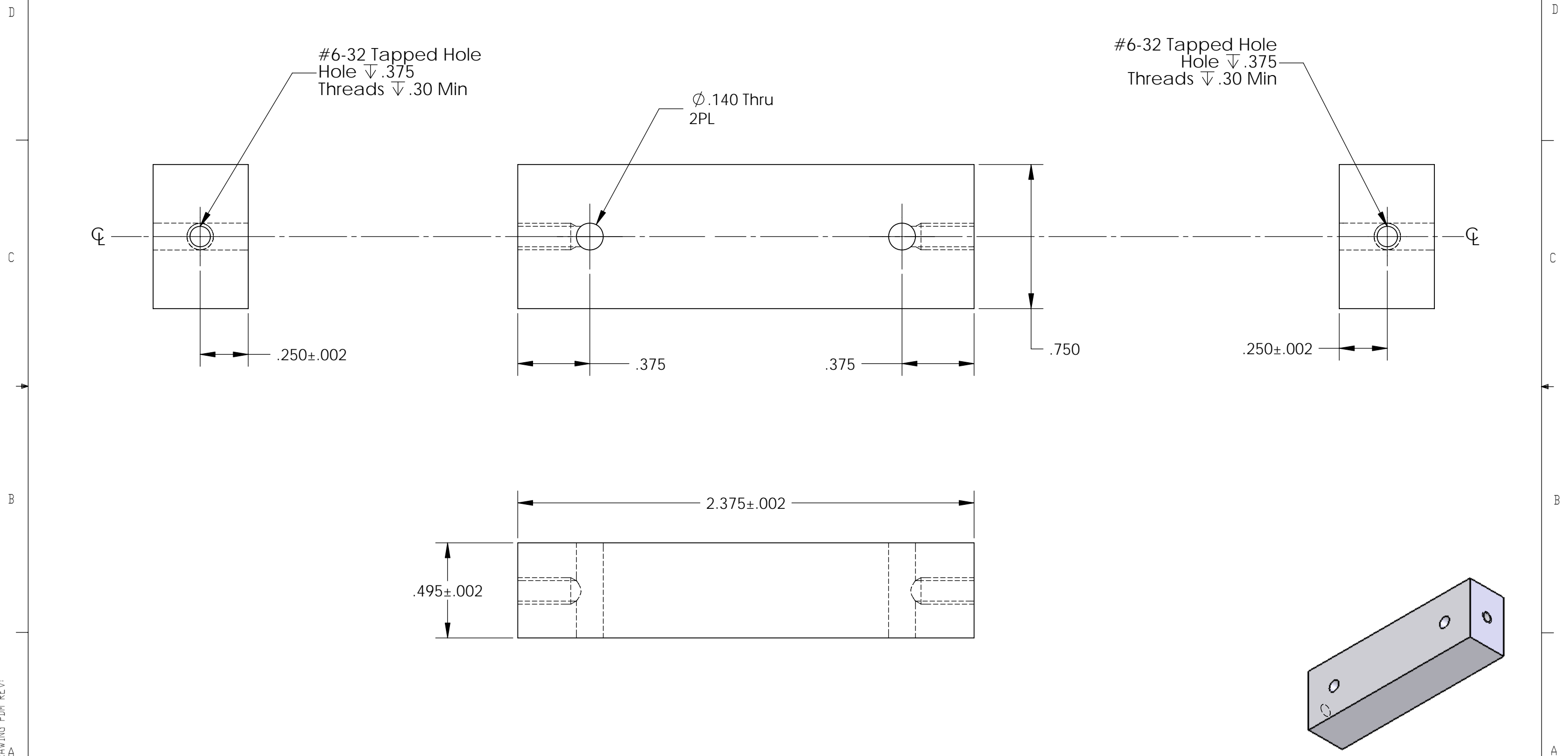
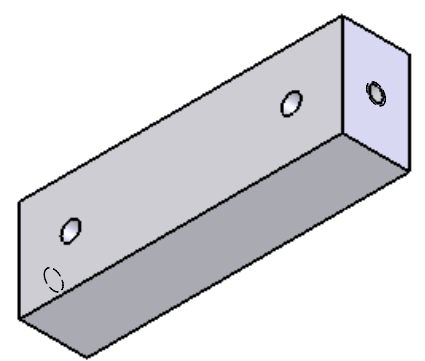


REVISIONS				
ZONE	REV.	DESCRIPTION	DATE	APPROVED
	D	New sheet format	2/25/2011	K Singh



Notes:
 Material: 1018C.R.S.
 Finish: Electroless Nickel plate per AMS-C-26074 -CLASS 2, GRADE C
 Surface finish 32 Min.
 Break all edges R.02
 All dimensions are after plating.

Unless otherwise specified
 All dimensions are in inches.
 Tolerances: Decimal: $x.x \pm .05$, $x.xx \pm .01$
 $x.xxx \pm .005$, $x.xxxx \pm .0005$
 Angular: $x.x \pm 1^\circ$



Bracket Custom Center Plate

CALIFORNIA INSTITUTE OF TECHNOLOGY MASSACHUSETTS INSTITUTE OF TECHNOLOGY	
SIZE DWG. NO.	REV.
B 5099-217-1	D
SCALE: 1:1	PROJECTION:
SHEET 1 OF 1	

Draw2, PART PDM REV: , DRAWING PDM REV: