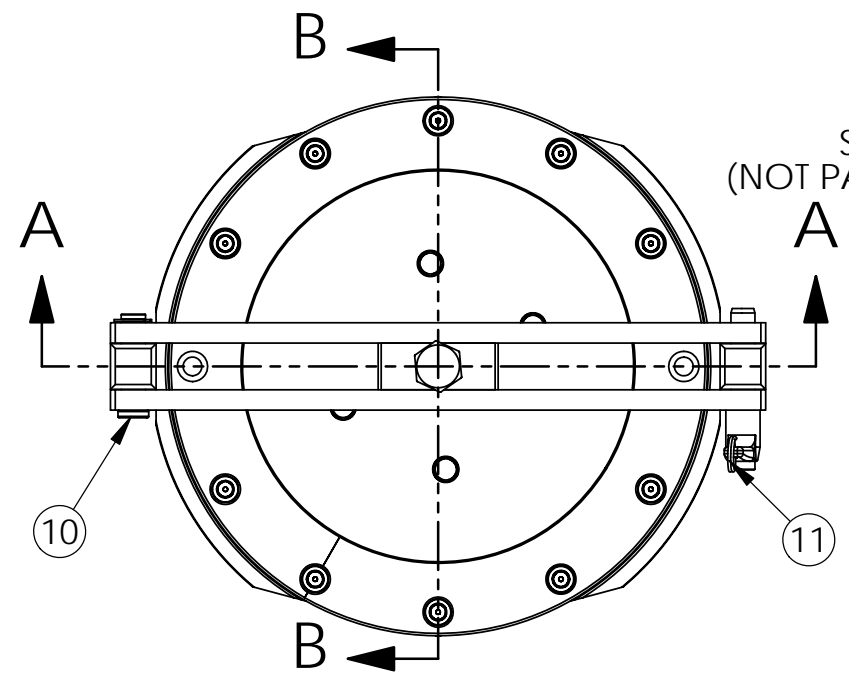
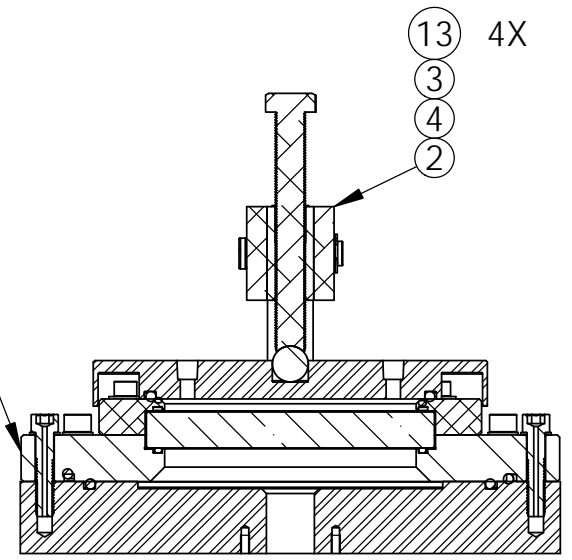


D1102157 ALIGO, AOS, SEPTUM VIEWPORT LEAK TEST FIXTURE ASSY, PART PDM REV: X-002, DRAWING PDM REV: X-003

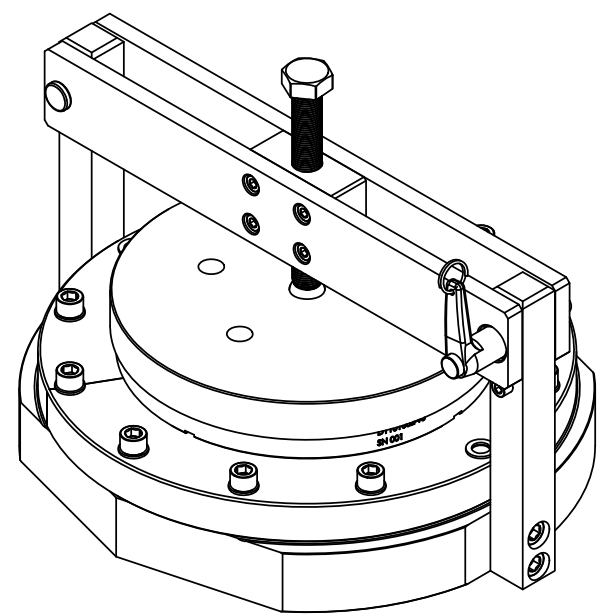
REV.	DATE	DCN #	DRAWING TREE #
v1	04 NOV 2011	-	-
v2	10 NOV 2011	E1101060-x0	-
-	-	-	-



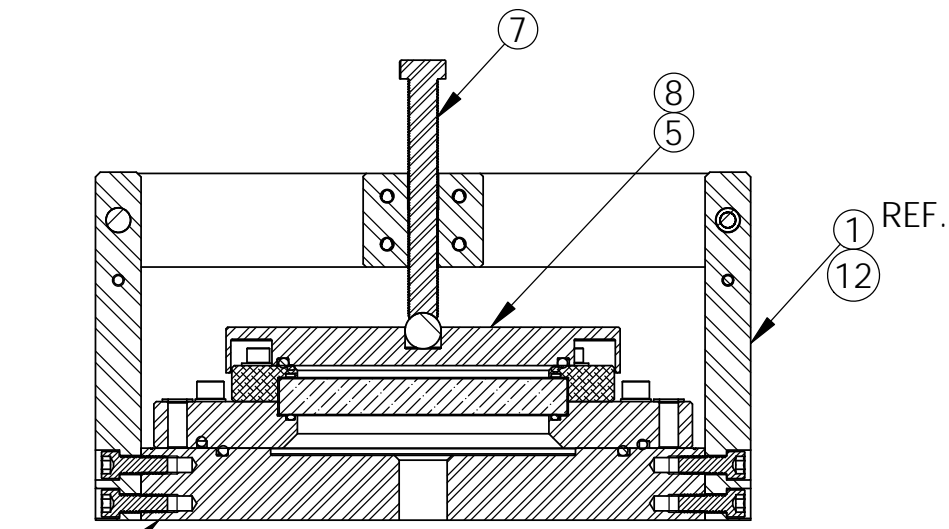
SEPTUM VIEWPORT SHOWN FOR REF. ONLY (NOT PART OF FINISHED ASSY.)



SECTION B-B
(ROTATED 90 DEGREES)



ISO VIEW



SECTION A-A

ITEM NO.	PART NUMBER	DESCRIPTION	D1102157 QTY.
14	MS16995-81	SCREW, SHC, 3/8-16 X 1.0 LG.	4
13	MS16995-54	SCREW, SHC, 1/4-20 X 1.50 LG.	4
12	MS16995-48	SCREW, SHC, 1/4-20 X .50 LG.	1
11	90302A411 McMASTER-CARR	QUICK RLS PIN, .50 DIA X 1.50 LG.	1
10	92735A515 McMASTER-CARR	PIN. CLEVIS, .50 DIA. X 2.0 LG. W. RETAINING RING	1
9	PARKER NO.:2-369	O-RING. 3/16 WIDE	1
8	PARKER NO.: 2-358	O-RING. 3/16 WIDE	1
7	D1101940	ALIGO, AOS, VIEWPORT TEST FIXTURE, SCREW, HH CAP	1
6	D1102155	ALIGO, AOS, SEPTUM VIEWPORT LEAK TEST FIXTURE, BASE PLATE	1
5	D1102156	ALIGO, AOS, VIEWPORT LEAK TEST FIXTURE, PROOF TEST CAP ASSY. (HQ V.P)	1
4	D1101934	ALIGO, AOS, VIEWPORT LEAK TEST FIXTURE, THREADED LEAD SCREW MT. BLOCK	1
3	D1102158-1	ALIGO, AOS, SEPTUM VIEWPORT LEAK TEST FIXTURE, LEAD SCREW MT. BLOCK HORIZ. SUPPORT (C'BORE)	1
2	D1102158	ALIGO, AOS, SEPTUM VIEWPORT LEAK TEST FIXTURE, LEAD SCREW MT. BLOCK HORIZ. SUPPORT	1
1	D1101932	ALIGO, AOS, VIEWPORT LEAK TEST FIXTURE, HORIZ. SUPPORT MT. STUD	2

6
9
1 2X
14 4X

NOTES AND TOLERANCES: (UNLESS OTHERWISE SPECIFIED)		PARTS LIST		PART NAME	
		CALIFORNIA INSTITUTE OF TECHNOLOGY MASSACHUSETTS INSTITUTE OF TECHNOLOGY		ALIGO, AOS, SEPTUM VIEWPORT LEAK TEST FIXTURE ASSY.	
		SYSTEM ADVANCED LIGO	SUB-SYSTEM AOS	DESIGNER J.LEWIS	DATE 07 OCT 2011
		DRAFTER E.SANCHEZ		DATE 04 NOV 2011	SIZE B
		CHECKER SEE DCC		DWG. NO. D1102157	
		APPROVAL SEE DCC		REV. v2	SCALE: 1:4 PROJECTION:
		MATERIAL N/A		SHEET 1 OF 1	
		FINISH N/A μinch			
		NEXT ASSY MULTIPLE			