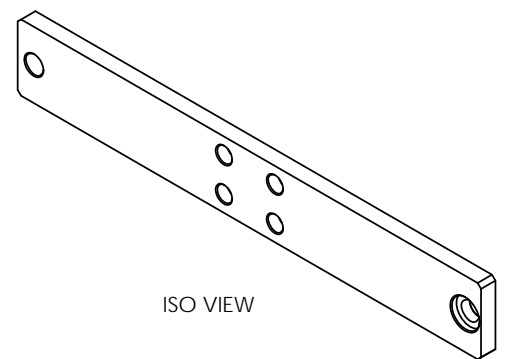


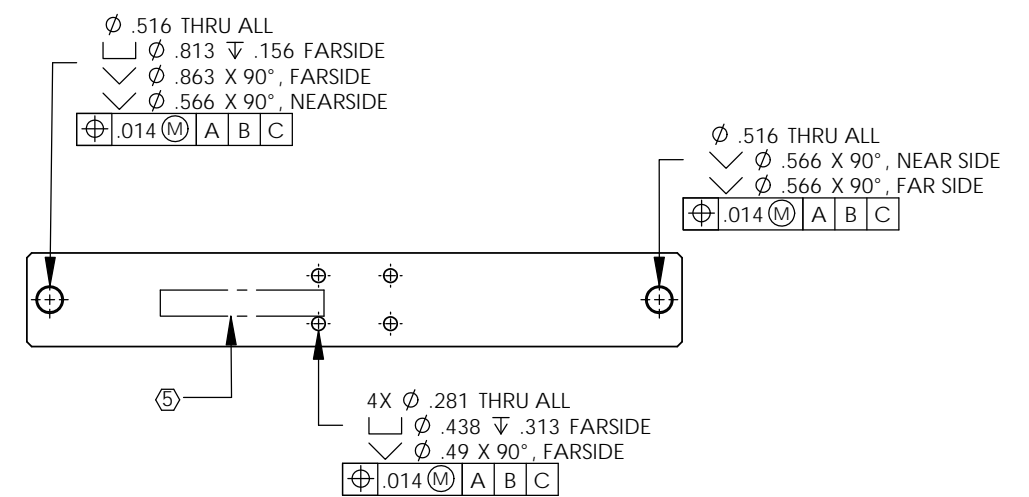
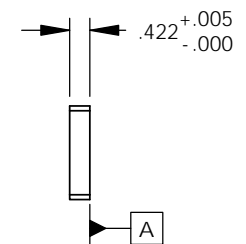
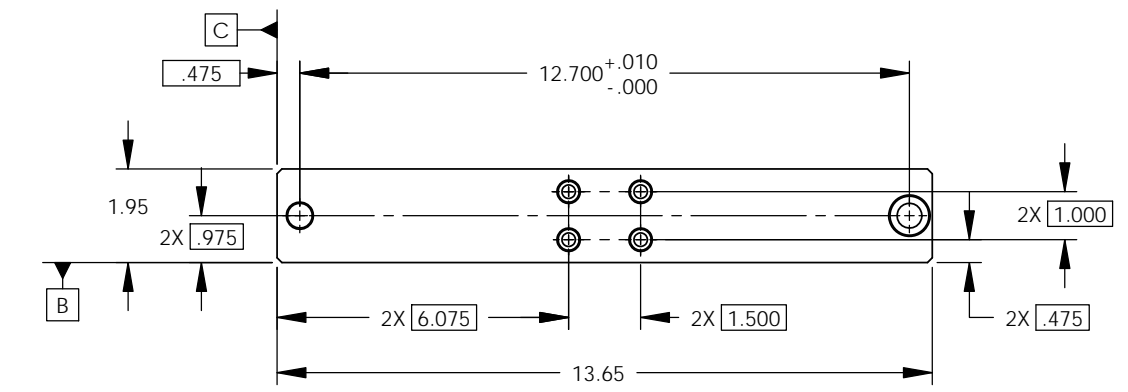
D1102158 aLIGO, AOS, SEPTUM VIEWPORT LEAK TEST FIXTURE, LEAD SCREW MT. BLOCK HORIZ. SUPPORT STRUT, PART PDM REV: X-000, DRAWING PDM REV: X-001

- NOTES CONTINUED:**
- 5. SCRIBE, ENGRAVE (A VIBRATORY TOOL MAY BE USED), LASER MARK OR MECHANICALLY STAMP (NO INKS OR DYES) DRAWING PART NUMBER, REVISION (AND VARIANT OR "TYPE" IF APPLICABLE) ON NOTED SURFACE OF PART FOLLOWED ON THE NEXT LINE WITH A THREE DIGIT SERIAL NUMBER. SERIAL NUMBERS START AT 001 FOR THE FIRST ARTICLE AND PROCEED CONSECUTIVELY. USE MINIMUM 0.12" HIGH CHARACTERS, UNLESS THE SIZE OF THE PART DICTATES SMALLER CHARACTERS. EXAMPLE: DXXXXXX-VY, TYPE-XX, S/N XXX
 - 6. APPROXIMATE WEIGHT = 3.12 LB.
 - 7. MACHINE ALL SURFACES TO REMOVE OXIDES AND MILL FINISH. USE OF ABRASIVE REMOVAL TECHNIQUES IS NOT ALLOWED. REFER TO LIGO-E0900364
 - 8. ALL PARTS SHALL BE MANUFACTURED IN ACCORDANCE WITH LIGO SPECIFICATION E0900364.
 - 9. ALL MATERIAL IS TO BE VIRGIN MATERIAL (i.e. NO WELD REPAIRS, PLUGS OR RECYCLED MATERIAL). NO REPAIRS SHALL BE MADE UNLESS APPROVED IN ADVANCE, AND IN WRITING, BY LIGO LABORATORY. REFER TO LIGO-E0900364.

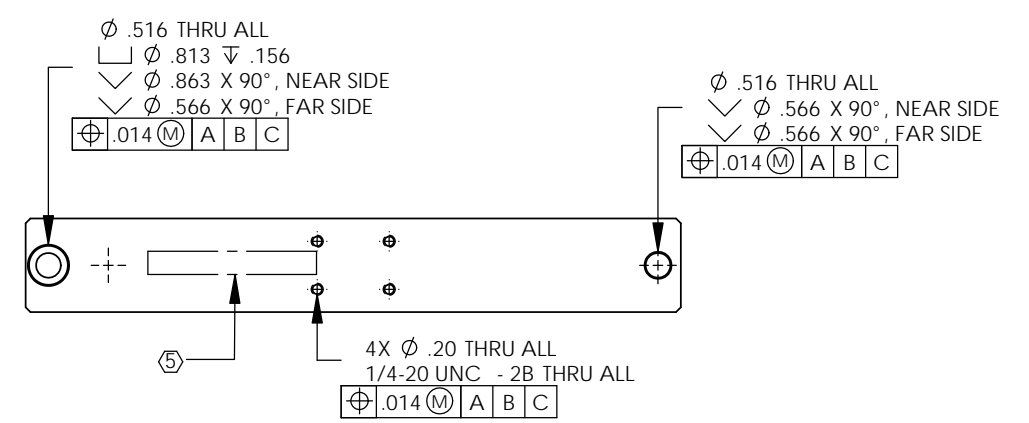
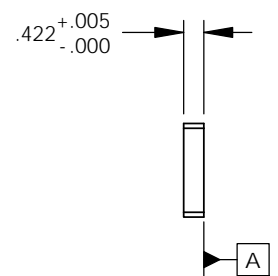
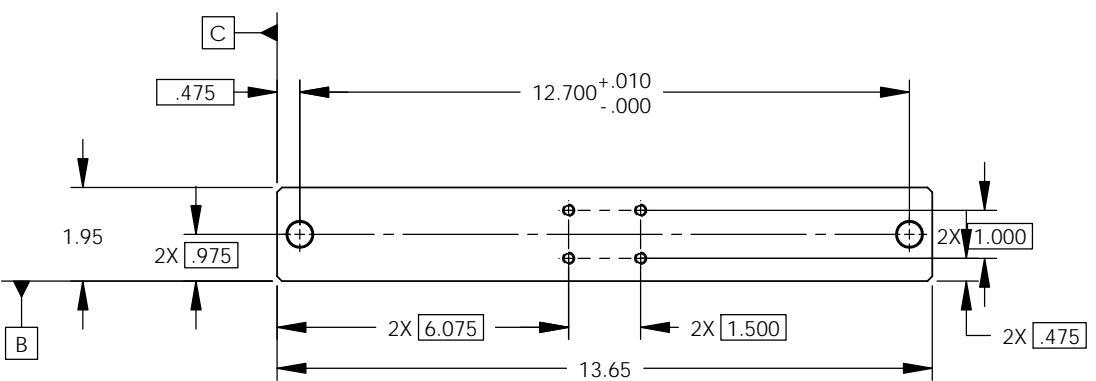
REV.	DATE	DCN #	DRAWING TREE #
v1	04 NOV 2011	-	-
v2	10 NOV 2011	E1101060-x0	-
-	-	-	-



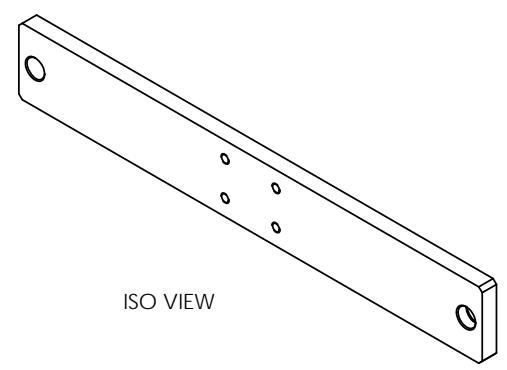
ISO VIEW



-1



BASIC



ISO VIEW

NOTES AND TOLERANCES: (UNLESS OTHERWISE SPECIFIED)				CALIFORNIA INSTITUTE OF TECHNOLOGY MASSACHUSETTS INSTITUTE OF TECHNOLOGY		PART NAME	
DIMENSIONS ARE IN INCHES				LIGO		ALIGO, AOS, SEPTUM VIEWPORT LEAK TEST FIXTURE, LEAD SCREW MT. BLOCK SUPPORT STRUT	
TOLERANCES: .XX ± .01 .XXX ± .005				SYSTEM ADVANCED LIGO		SUB-SYSTEM AOS	
ANGULAR ± 0.5°				MATERIAL 304 SSSL		FINISH 63 μinch	
				NEXT ASSY D1102157		DESIGNER J.LEWIS	
						DATE 07 OCT 2011	
						DRAFTER E.SANCHEZ	
						DATE 04 NOV 2011	
						CHECKER SEE DCC	
						DATE SEE DCC	
						APPROVAL SEE DCC	
						DATE SEE DCC	
						SIZE B	
						DWG. NO. D1102158	
						REV. v2	
						SCALE: 1:4	
						PROJECTION:	
						SHEET 1 OF 1	