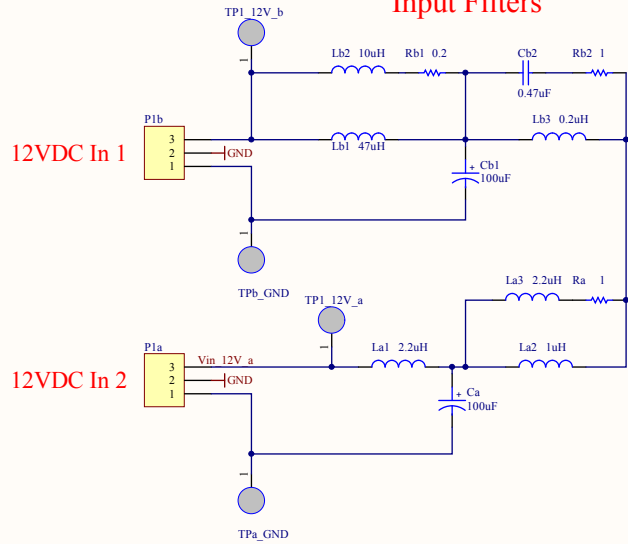
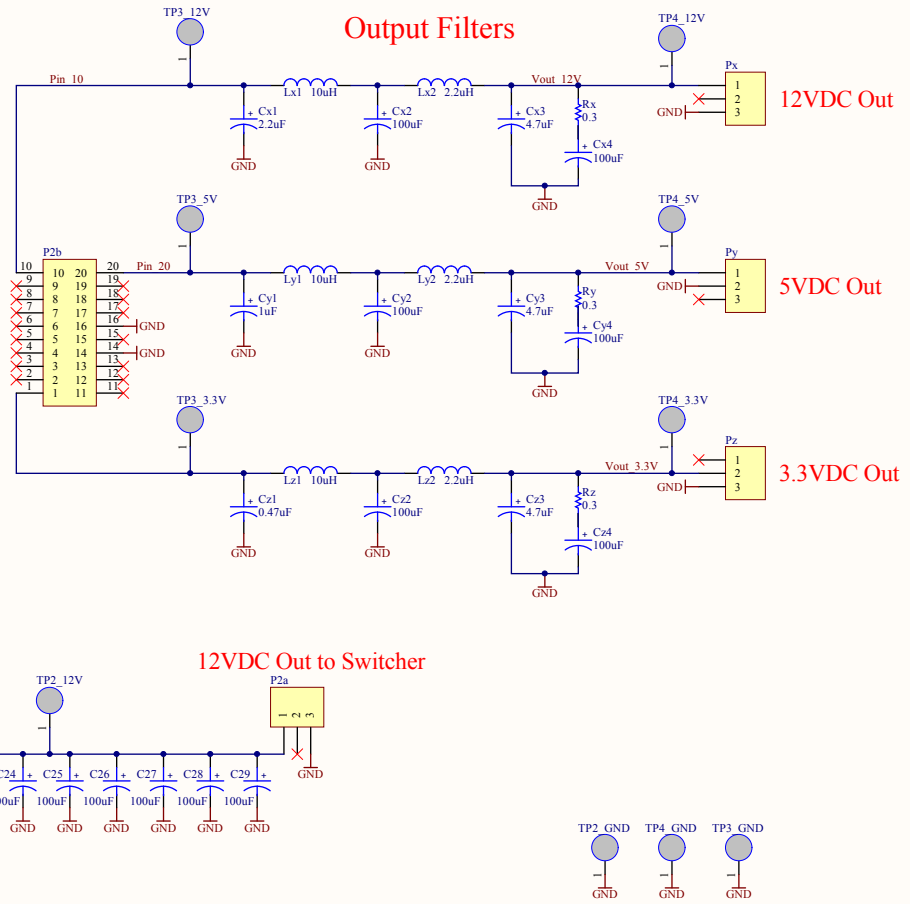


### Input Filters



### Switching Power Supply



Title				Last Edited: 10 Nov. 2011	
<b>Switching Power Supply Filter</b>				LIGO	
Size: B	DCC Number: D1102177	Revision: v1	Engineer: Shao R. Abbott	Date: 11/10/2011	
File: C:\Rich's Files\Mycafiles\Misc\Switching_supply_filter\SpiritLevel-SL1\SPS_Filters2_SchDoc				Time: 9:33:08 AM	Sheet 1 of 1

D1102177-v1  
Serial Number



Prototype  
Switching Power Supply Filter  
10A Max at 12V Input

