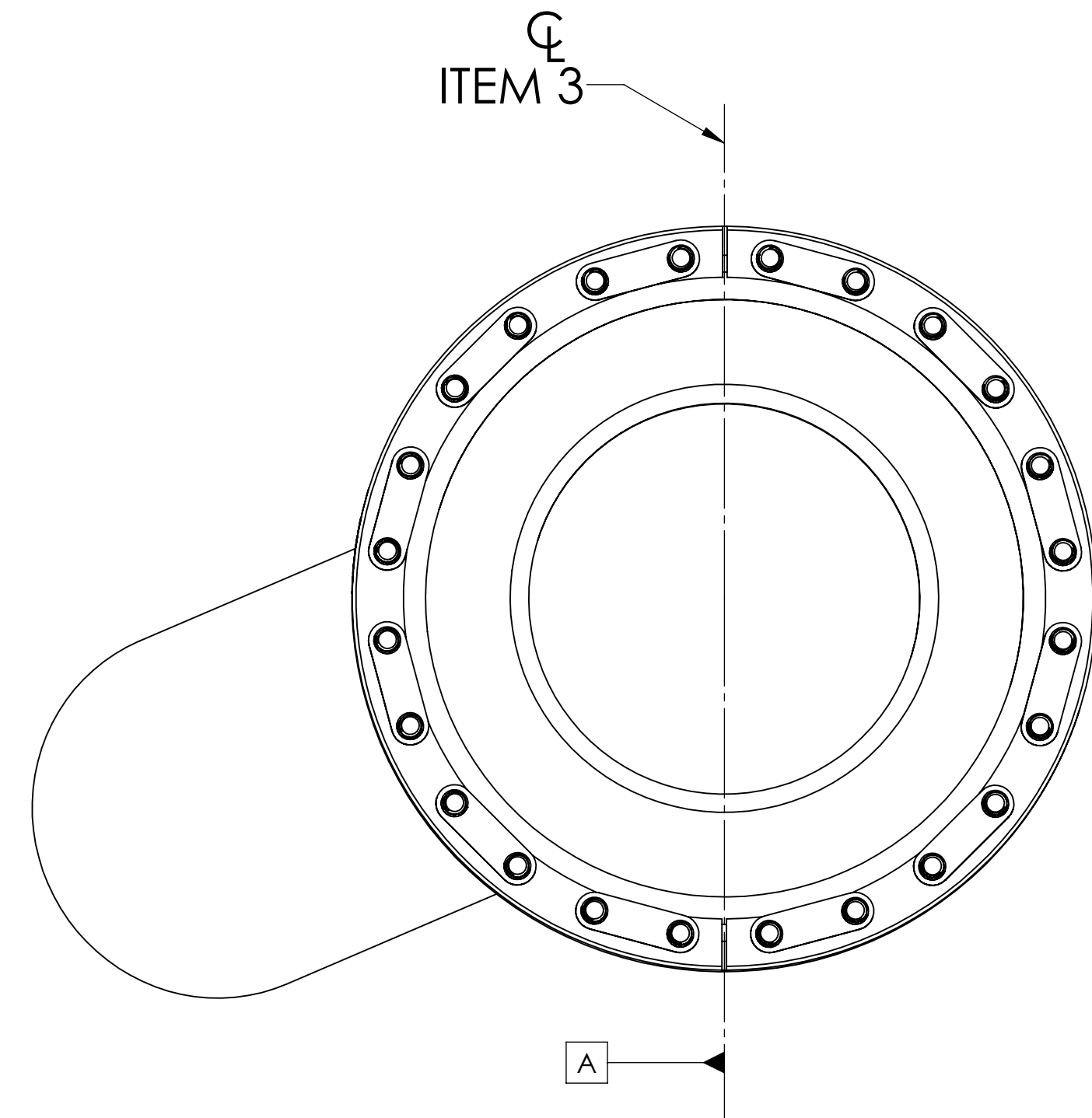
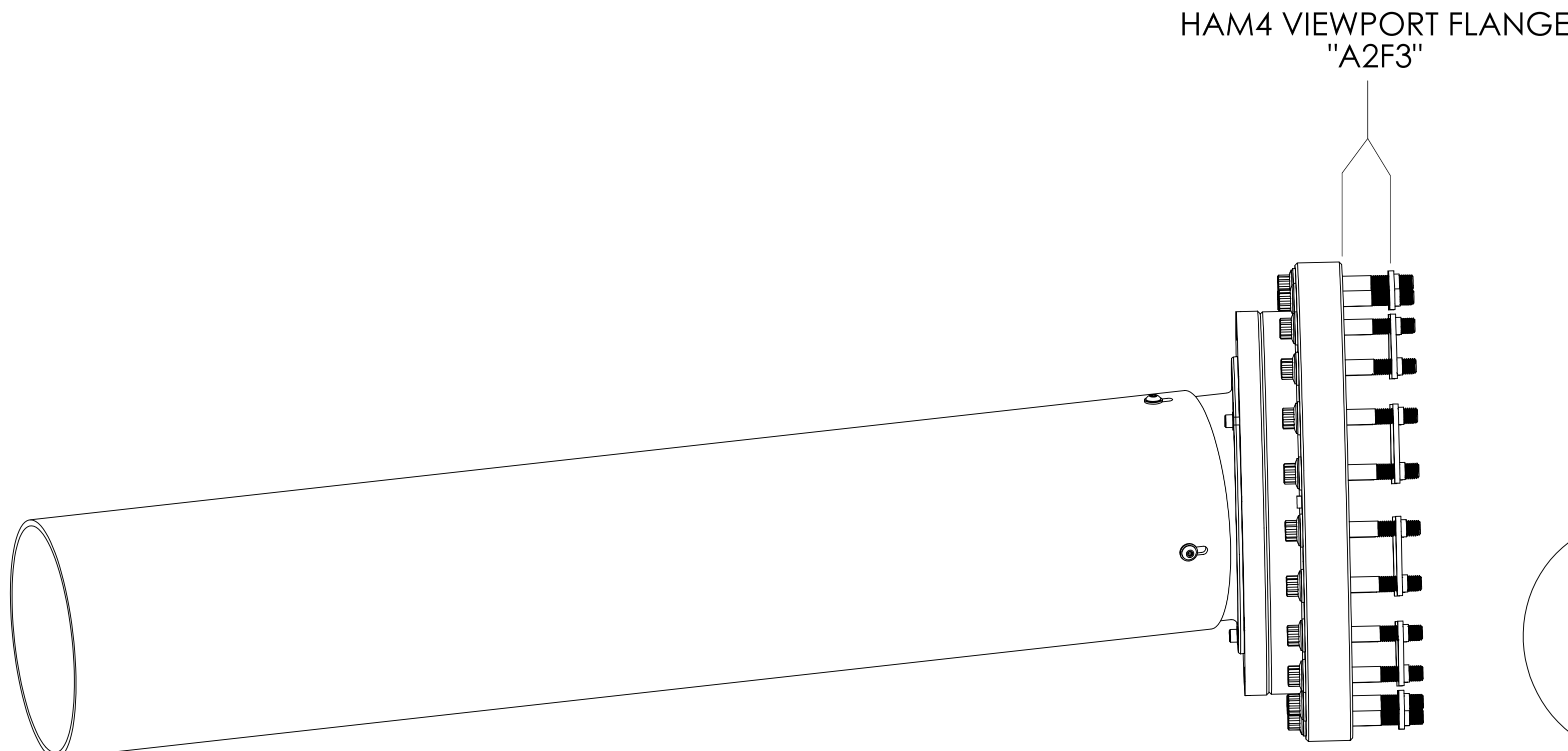
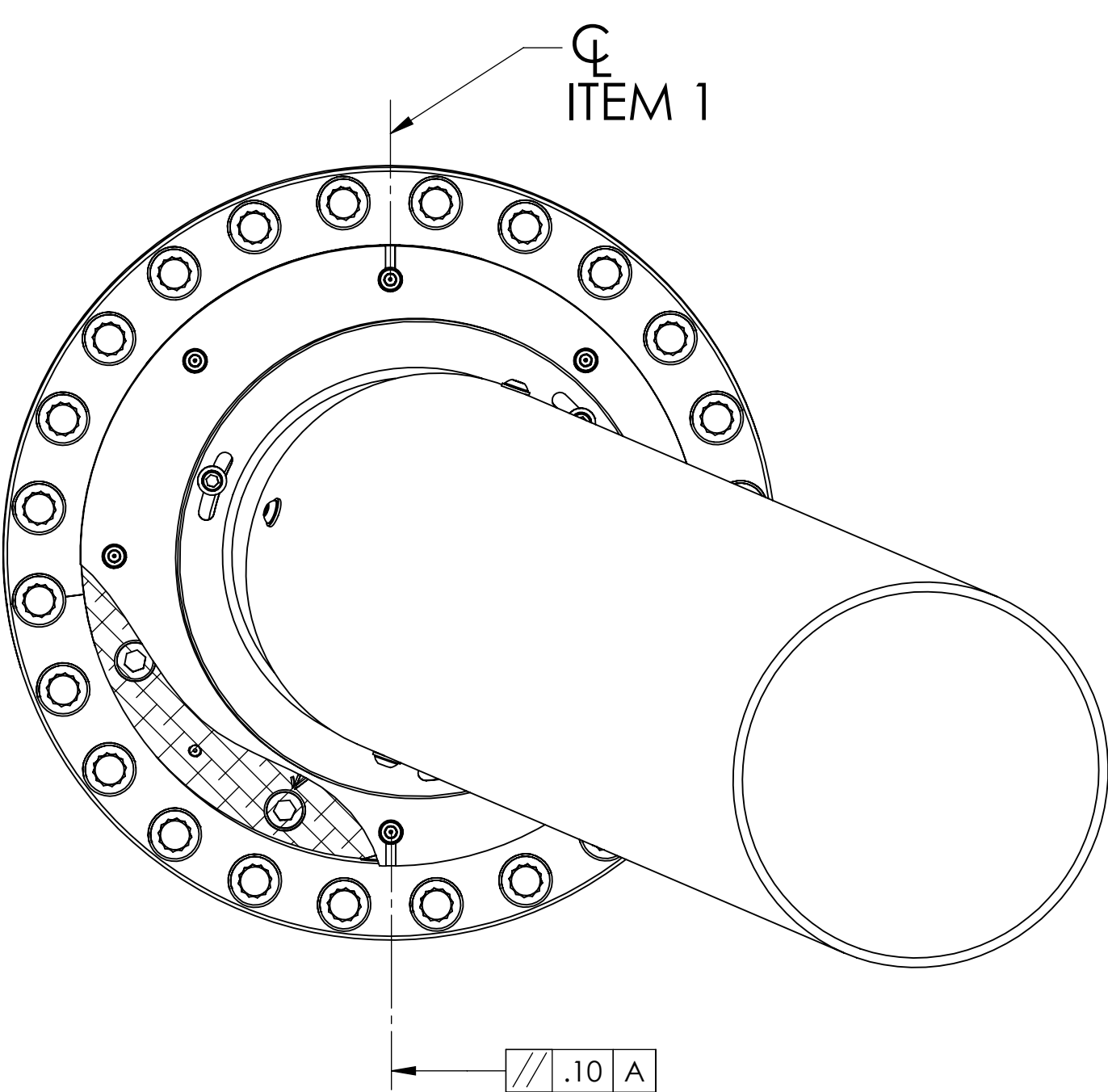
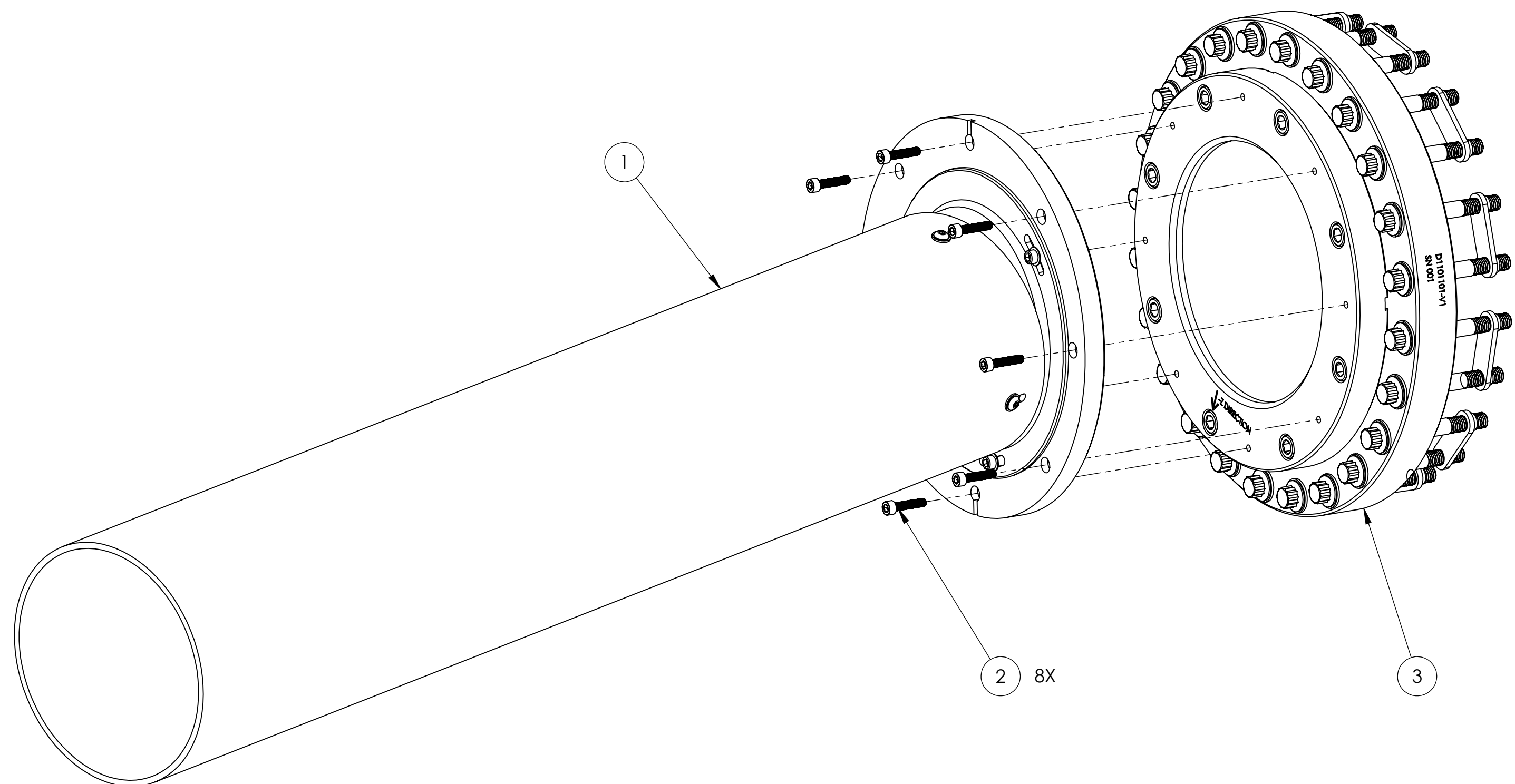


REV.	DATE	DCN #	DRAWING TREE #
v1	13-MAR-2013	E1300169-x0	E1300170-v1
-	-	-	-
-	-	-	-



ITEM NO.	PART NUMBER	DESCRIPTION	MATERIAL	Simple-mate/QT.	SPARE	TOTAL
3	D1200911	gLIGO TCS HIGH QUALITY NON-WEDGED 6 IN VIEWPORT ASSY_AR800-1080	N/A	1	0	1
2	C-812-N	SHCS 8-32 UNC-3A 3/4 LG . UC-COMPONENTS	18-8 SSSL	8	2	10
1	D1200503	gLIGO TCS HWS-X BEAM ENCLOSURE ASSEMBLY	N/A	1	0	1

NOTES AND TOLERANCES: (UNLESS OTHERWISE SPECIFIED)	
DIMENSIONS ARE IN INCHES	
TOLERANCES: .XX ± .XXX ±	
ANGULAR ± °	
MATERIAL	FINISH
N/A	N/A μinch

LIGO CALIFORNIA INSTITUTE OF TECHNOLOGY
MASSACHUSETTS INSTITUTE OF TECHNOLOGY

SYSTEM: ADVANCED LIGO SUB-SYSTEM: AOS

NEXT ASSY: D1000635

PART NAME: gLIGO TCS HAM4 HWS-X VIEWPORT AND BEAM ENCLOSURE ASSY

DESIGNER: A. COLE	26-MAR-2012	SIZE: D	DWG. NO.: D1102389	REV.: v2
DRAFTER: M. JACOBSON	13-MAR-13	SCALE: 1:2		SHEET 1 OF 1
CHECKER: J. LEWIS	13-MAR-13	PROJECTION:		
APPROVAL: A. BROOKS				

D1102389_gLIGO TCS HAM4 HWS-X VIEWPORT AND BEAM ENCLOSURE ASSY, PART PDM REV: X-114, DRAWING PDM REV: X-014