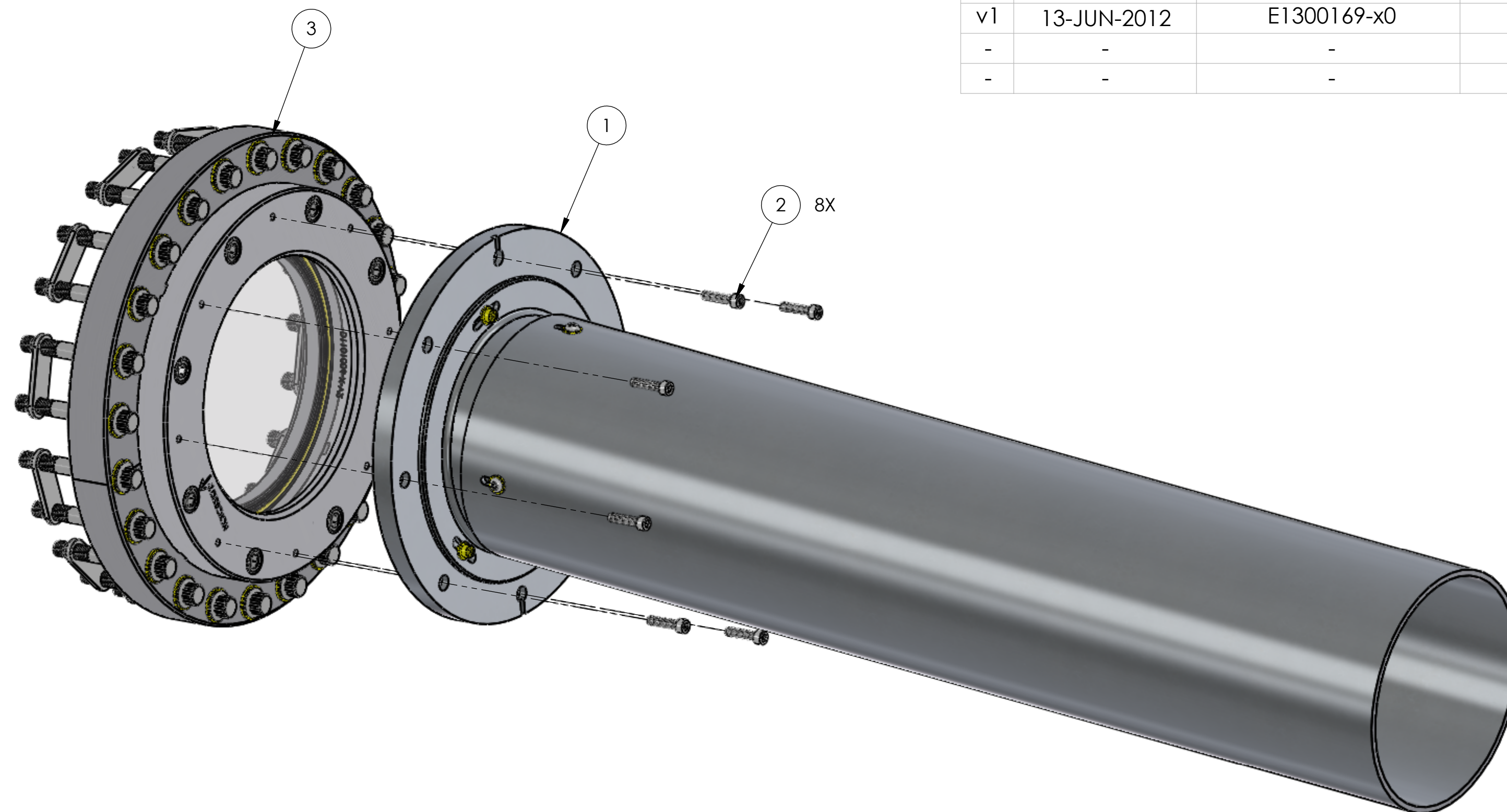
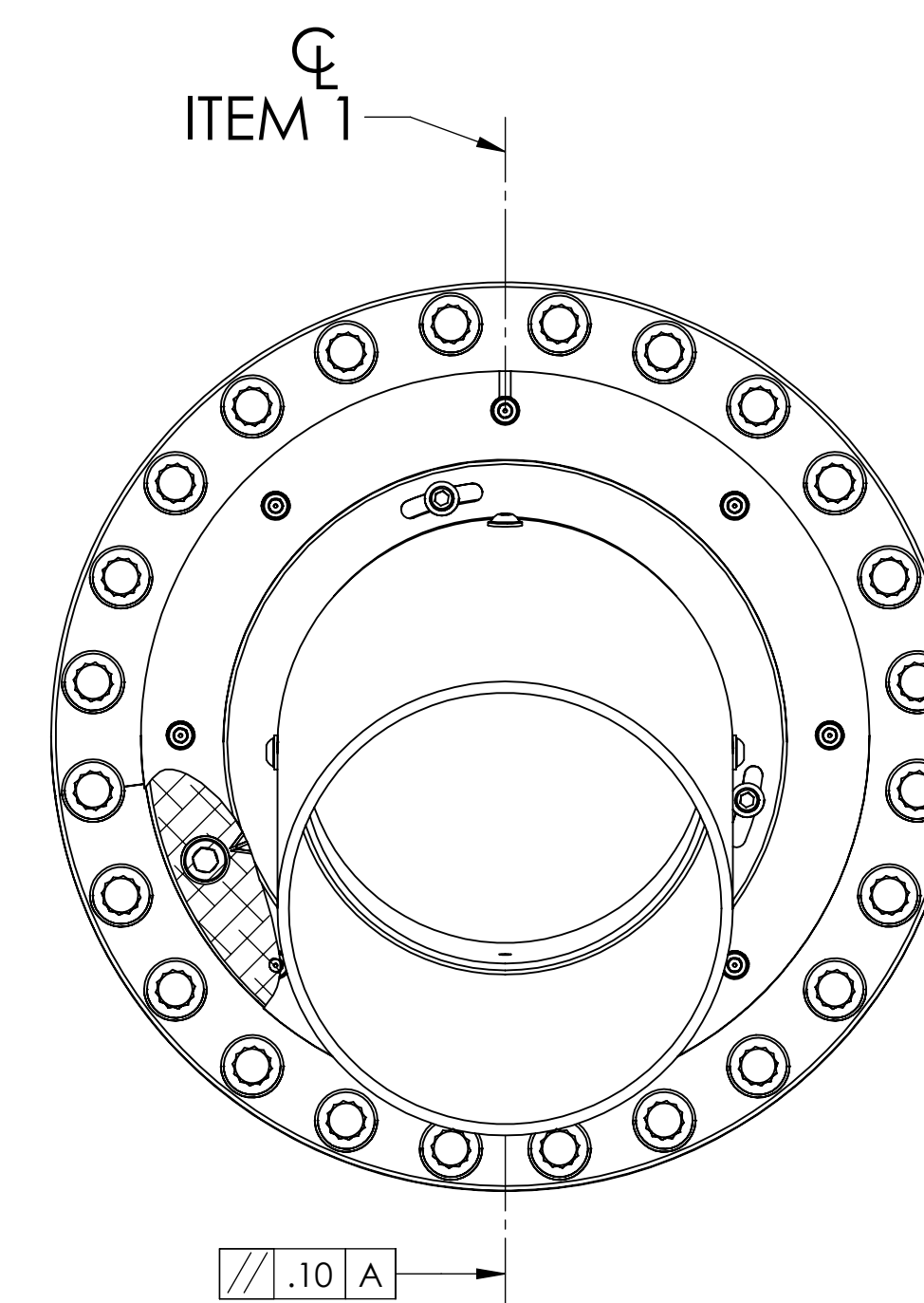
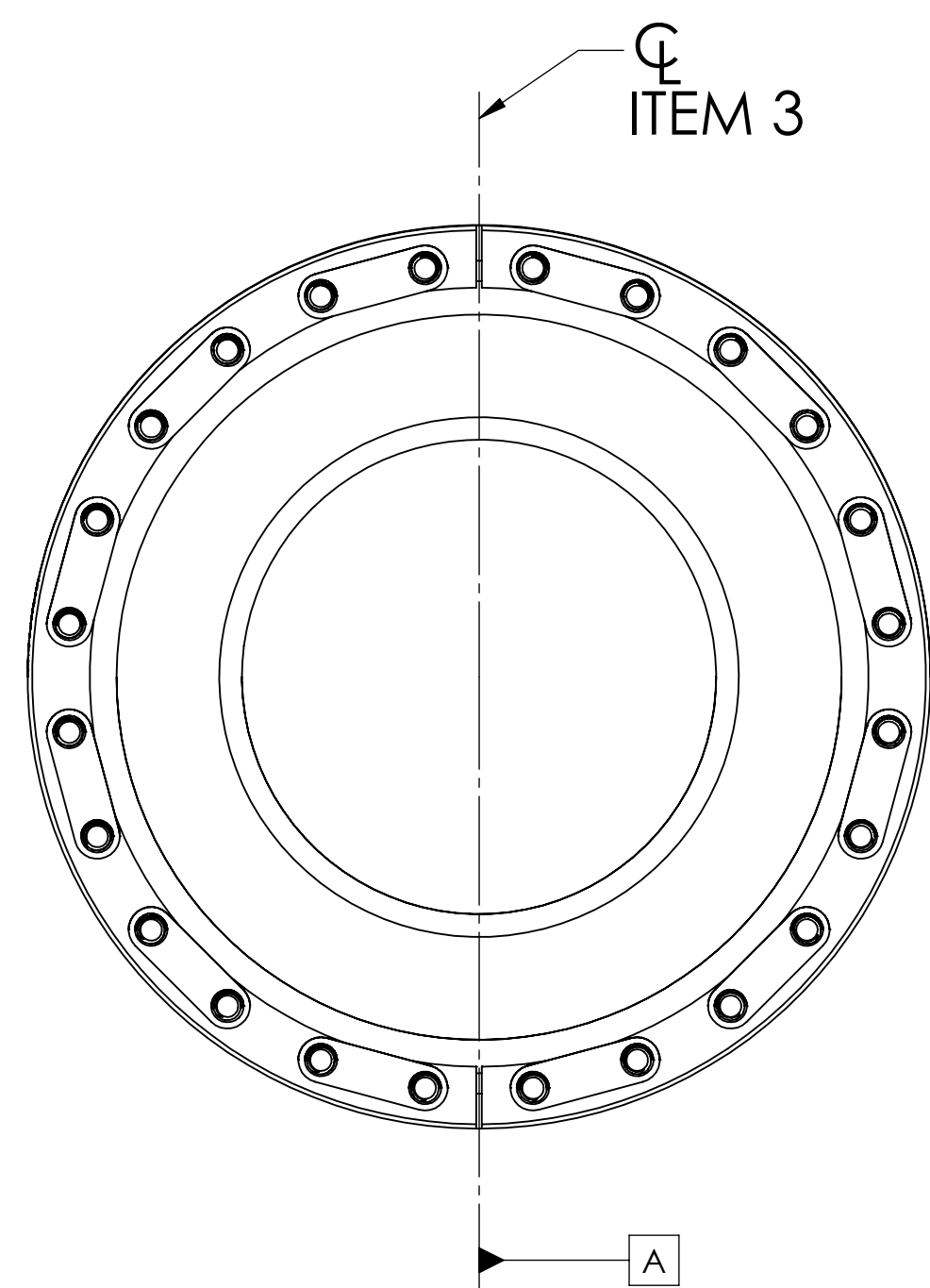


REV.	DATE	DCN #	DRAWING TREE #
v1	13-JUN-2012	E1300169-x0	E1300170-v1
-	-	-	-
-	-	-	-



HAM4 VIEWPORT FLANGE
"A2F4"



ITEM NO.	PART NUMBER	DESCRIPTION	MATERIAL	USING ASSY D1200911/QTY.	SPARE	TOTAL
3	D1200911	αLIGO TCS HIGH QUALITY NON-WEDGED 6 IN VIEWPORT ASSEMBLY, AR800-1080	N/A	1	0	1
2	C-812-N	SHCS 8-32 UNC-3A 3/4 LG . UC-CMPOONENTS	18-8 SSSL	8	2	10
1	D1200504	αLIGO TCS HWS-Y BEAM ENCLOSURE ASSEMBLY	N/A	1	0	1

PARTS LIST

NOTES AND TOLERANCES: (UNLESS OTHERWISE SPECIFIED)	
1. INTERPRET DRAWING PER ASME Y14.5-1994	
2. ASSEMBLY SEQUENCE IS ALSO THE INTEGRATION SEQUENCE ITEM 3 IS BOLTED TO VACUUM FLANGE A2F4 OF HAM4 IN THE ORIENTATION SHOWN	
3. ITEM 1 IS SECURED TO ITEM 3 USING ITEM 2; MAX TORQUE 20 in-lb	
MATERIAL	N/A
FINISH	N/A μinch
ANGULAR ± °	

LIGO CALIFORNIA INSTITUTE OF TECHNOLOGY
MASSACHUSETTS INSTITUTE OF TECHNOLOGY

SYSTEM: ADVANCED LIGO SUB-SYSTEM: AOS

NEXT ASSY: D1000635

PART NAME: αLIGO TCS HAM4 HWS-Y VIEWPORT AND BEAM ENCLOSURE ASSY

DESIGNER	A.COLE	23-MAR-2012	SIZE	DWG. NO.	REV.
DRAFTER	A.COLE	2-APR-12	D	D1102397	v2
CHECKER	M.JACOBSON	26-MAR-13	SCALE: 1:2	PROJECTION:	SHEET 1 OF 1
APPROVAL	A.BROOKS				

D1102397_αLIGO TCS HAM4 HWS-Y VIEWPORT AND BEAM ENCLOSURE ASSY PART PDM REV: X-02 DRAWING PDM REV: X-012