



ALIGO ASSEMBLY DRAWING

aLIGO AOS OpLev PR3 (Right-hand) RX Pier Assembly

AUTHOR(S)	DATE	Document Change Notice, Release or Approval
Eric James	9 July, 2012	see LIGO DCC record Status

This document is intended to serve as a description of this assembly until a real assembly drawing can be made.

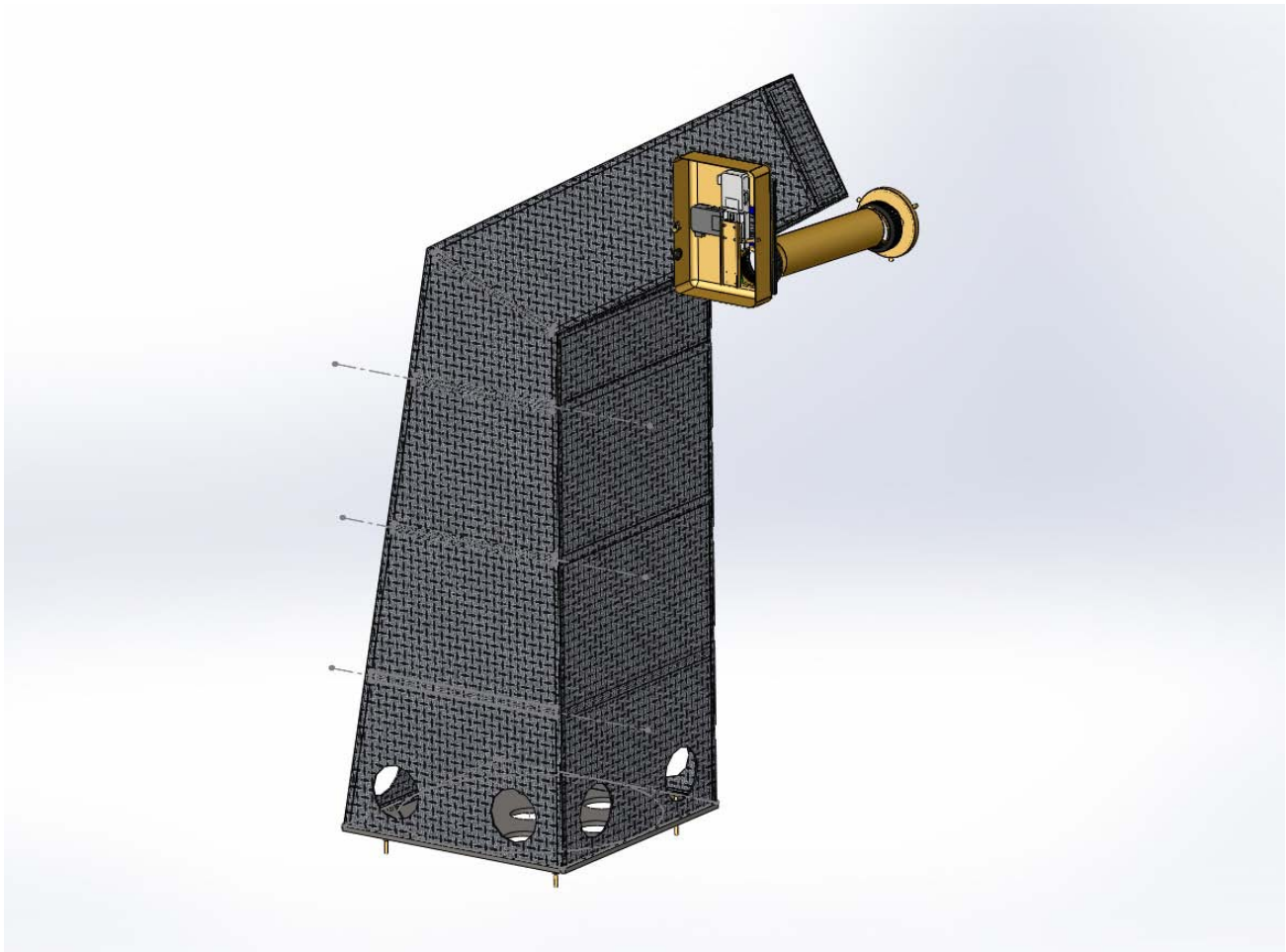


Figure 1: PR3 Receiver Pier Assembly. Right-hand giraffe shown with cover removed.



ALIGO ASSEMBLY DRAWING

aLIGO AOS OpLev PR3 (Right-hand) RX Pier Assembly

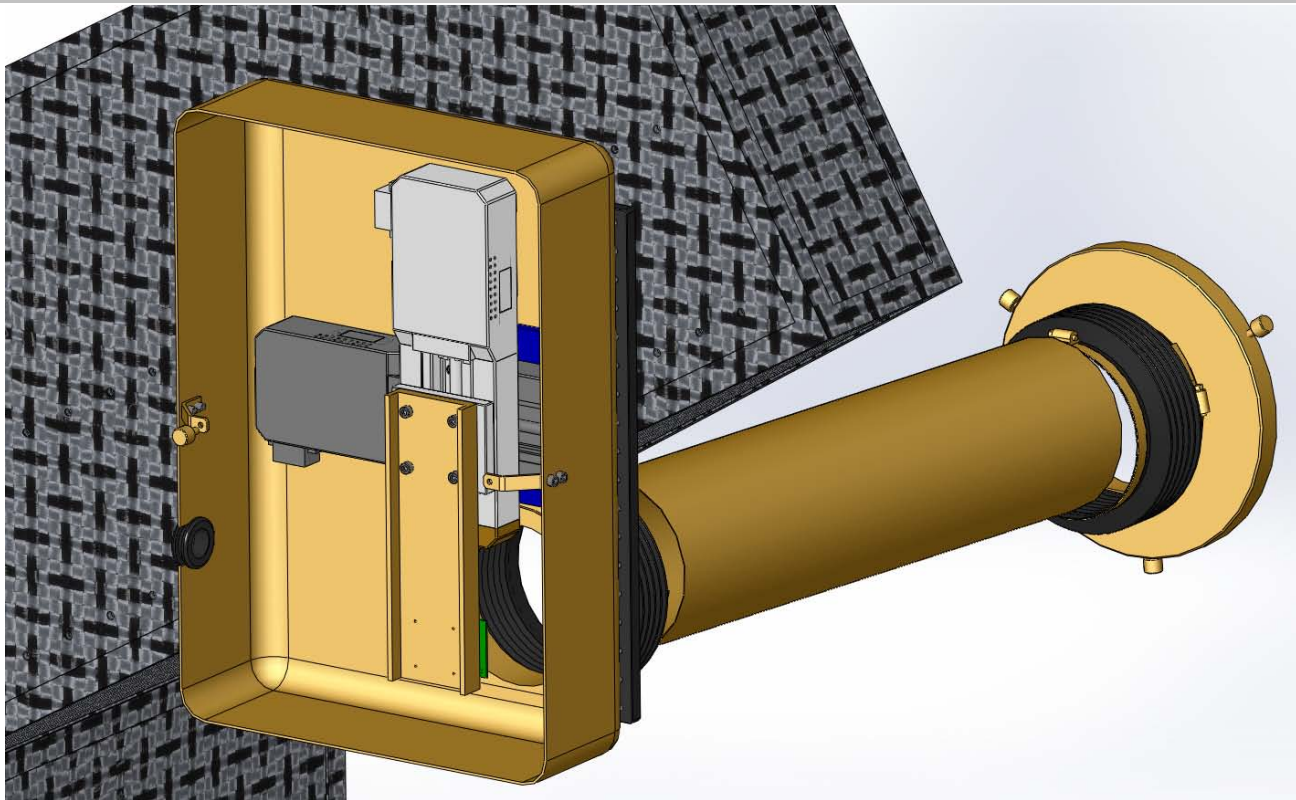


Figure 2: Close-up of Receiver with cover removed.

Bill of Material

Item	Part number	Description	Quant.
1	D1101802	Pier "Giraffe" (right-hand version)	1
2	D1101823	Pier Base Plate	1
3	D1101824	Clamp	4
4	D1200819	PR3/SR3 Rx Breadboard (RH version)	1
5	D1001510	Stage Adapter	1
6	SGSP33-50	OptoSigma X-Y Stage	1
7	D1100617	PCB Carrier	1
8	D1200820	QPD Support	1
9	D1100290	QPD Board Assembly	1
10		15-pin M-M, Photodiode Board Cable	1
11	D1200821	Receiver Enclosure Assembly	1
12	D1200827	Bellows Mounting Ring	1
13	D1200622	6-inch Reducer	1
14	CT-6	Gortiflex 6" Rubber Bellows	2
15	45945K37	McMaster-Carr 6" Band Clamp	4
16	2561K12	McMaster-Carr 6" Dia. x 24" SS. Duct	1
17		1/2-20 x 1.5" Hex head cap screw	12



ALIGO ASSEMBLY DRAWING

aLIGO AOS OpLev PR3 (Right-hand) RX Pier Assembly

18		1/4-28 x 5/8" SHCS	7
19		1/4" X 1/8" Thick Flat Washer	7
20		1/4-20 x 3/4" SHCS	8
21		M5 x 12 SHCS	8
22		M6 x 12 SHCS	4
23	92421A540	McMaster-Carr #4-40 x 5/8" SHCS	4
24	92421A540	McMaster-Carr 1/4-20 x 3/4" Brass Thumb Screw	3
25			

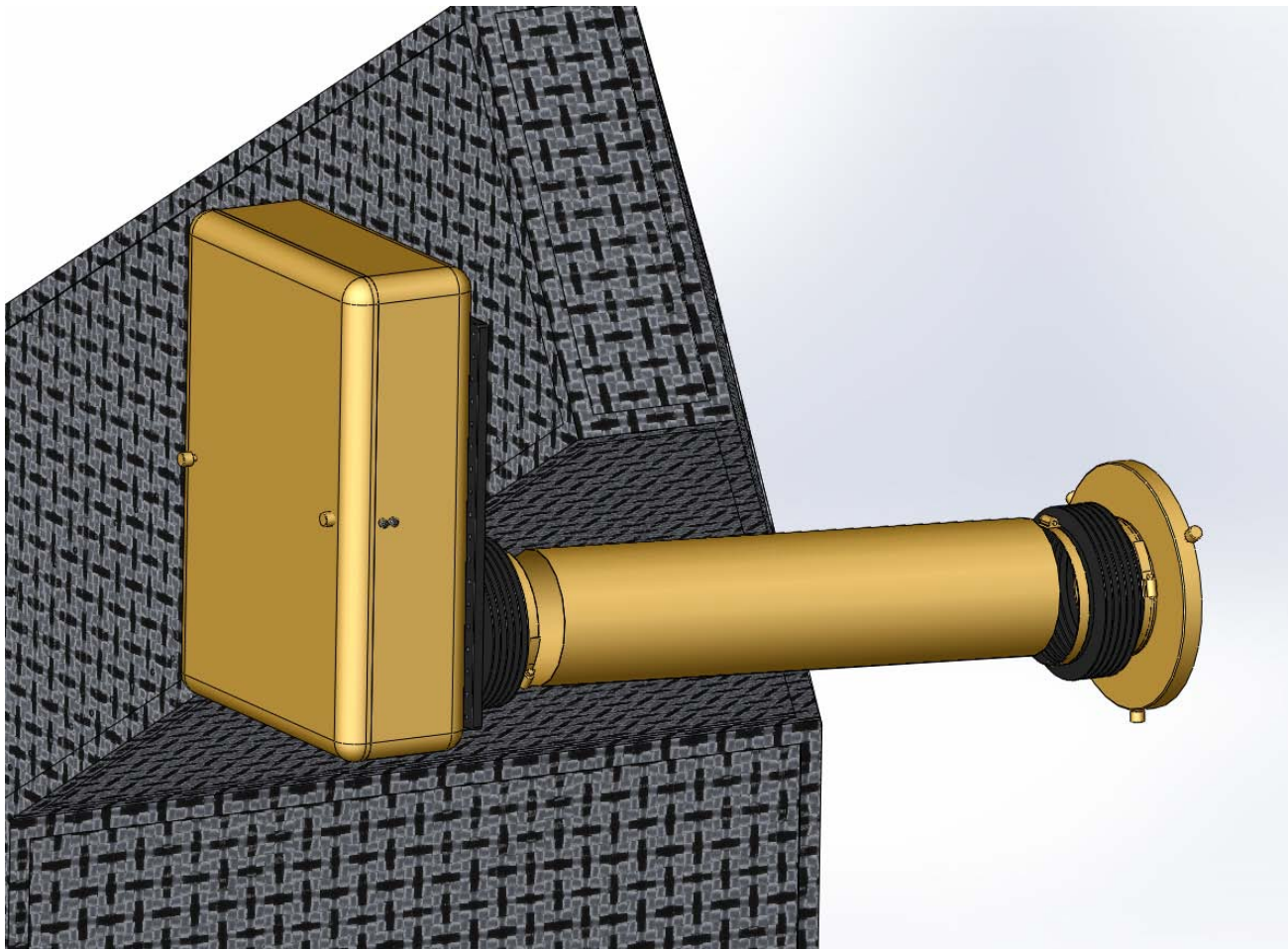


Figure 3: Optical Lever Receiver Enclosure



ALIGO ASSEMBLY DRAWING

aLIGO AOS OpLev PR3 (Right-hand) RX Pier Assembly

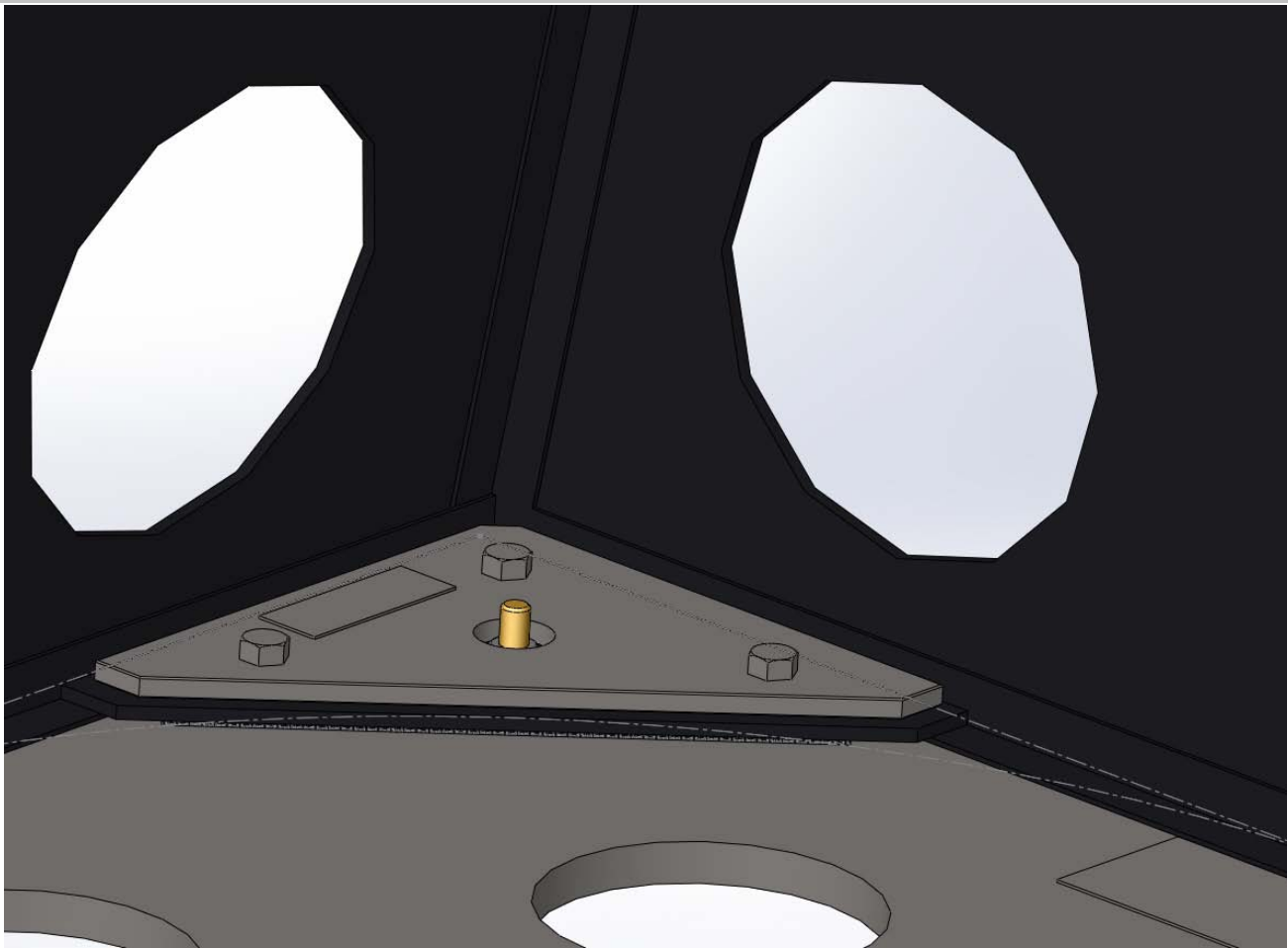


Figure 4:Base plate details