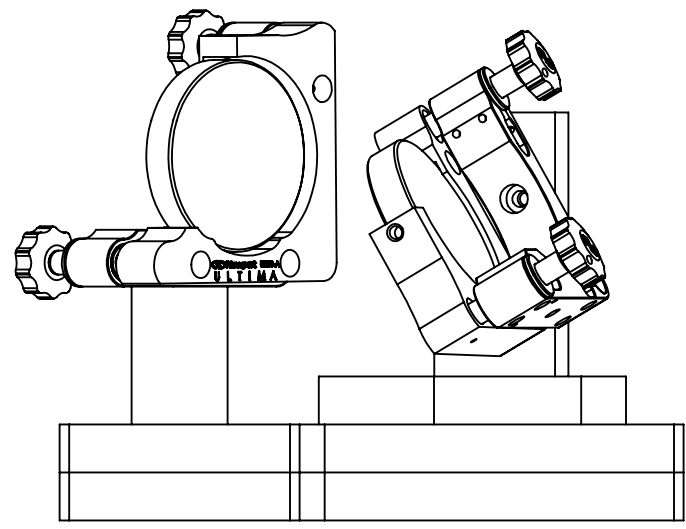
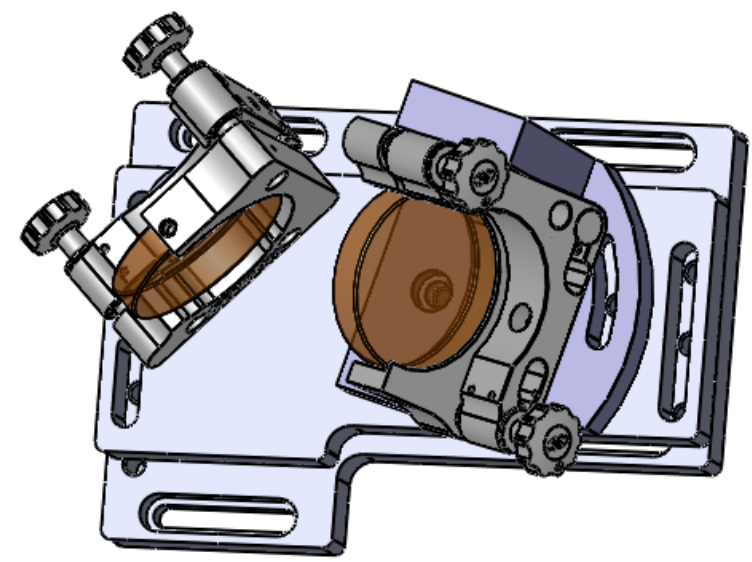
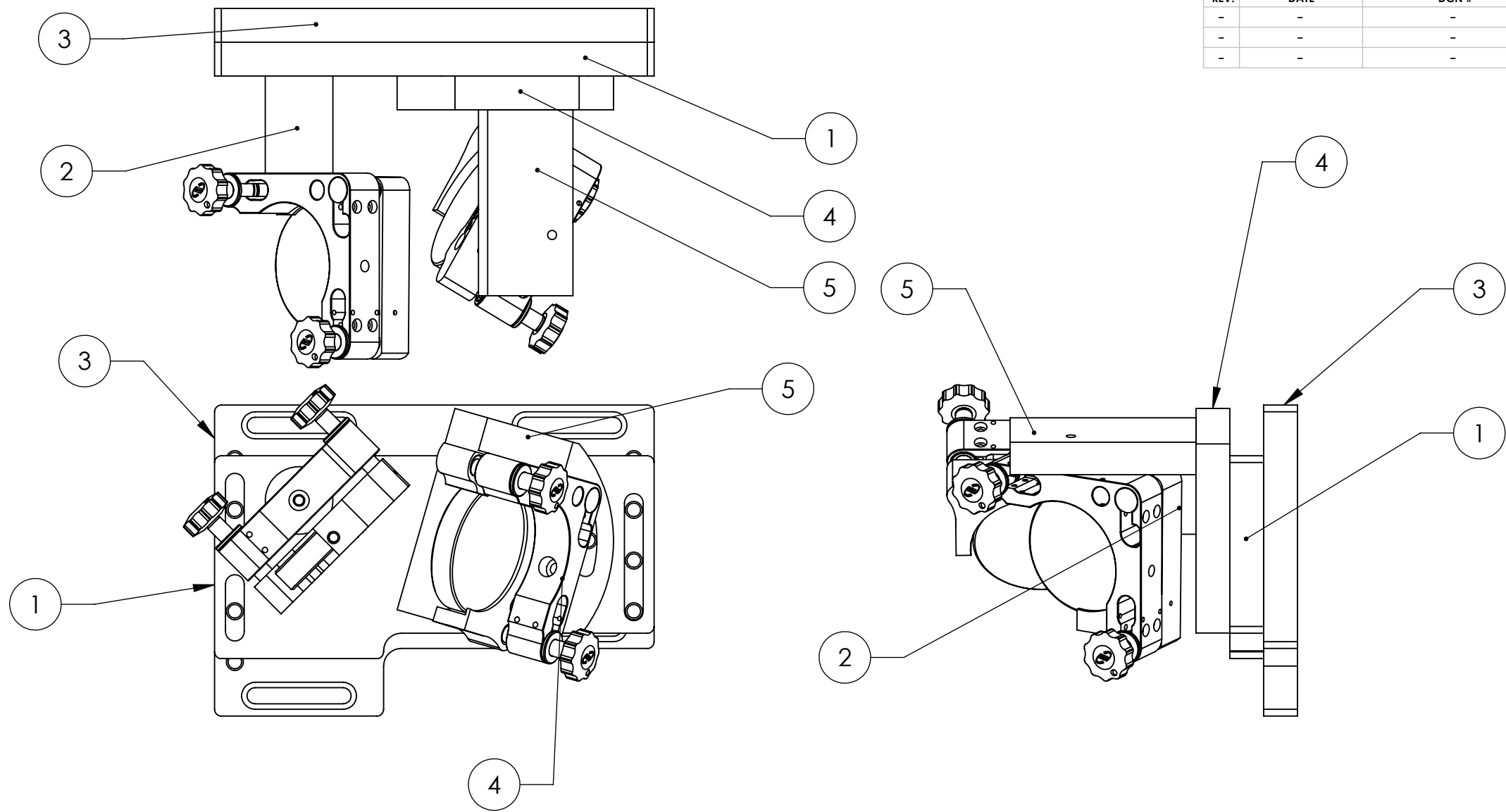


D1200382_ALS_Y_End_Station_Upper_Periscope_Assembly_PART PDM REV: X-000, DRAWING PDM REV: X-001

REV.	DATE	DCN #	DRAWING TREE #
-	-	-	-
-	-	-	-
-	-	-	-



7	U200-A2K-NL	2" MIRROR MOUNT		2	2	
6		2" BK7 GLASS	BK7 GLASS	2	2	
5	D1101870	ALS Upper Periscope Mirror Base	6061-T6 Al	1	1	
4	D1200381	ALS Upper Periscope Rotation Base (Y-End)	6061-T6 Al	1	1	
3	D1200380	ALS Upper Periscope Baseplate (Y-End)	6061-T6 Al	1	1	
2	D1101871	ALS Upper Periscope Mirror Post	6061-T6 Al	1	1	
1	D1101868	ALS Upper Periscope Base	6061-T6 Al	1	1	
ITEM NO.	PART NUMBER	DESCRIPTION	MATERIAL	RE Q	SPAR E	TOTA L

PARTS LIST

NOTES AND TOLERANCES: (UNLESS OTHERWISE SPECIFIED)

MATERIAL		FINISH		NEXT ASSY		PART NAME		DESIGNER		DRAFTER		CHECKER		APPROVAL		SCALE		PROJECTION		SHEET	
N/A		N/A μinch		ALS Periscope		ALS Y-End Upper Persicope Assembly		BJJ Slagmpolen 29 Feb 2012		BJJ Slagmole 29 Feb 2012						1:2		FIRST ANGLE		1 OF 1	

LIGO CALIFORNIA INSTITUTE OF TECHNOLOGY
MASSACHUSETTS INSTITUTE OF TECHNOLOGY

SYSTEM: **ADVANCED LIGO** SUB-SYSTEM: **ISC**

SIZE: **B** DWG. NO.: **D1200382** REV.: **v3**