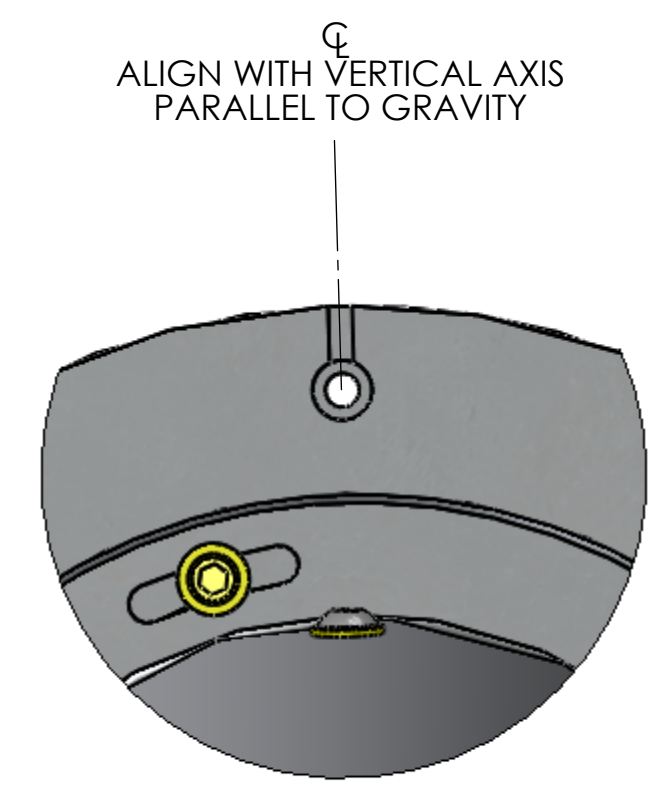
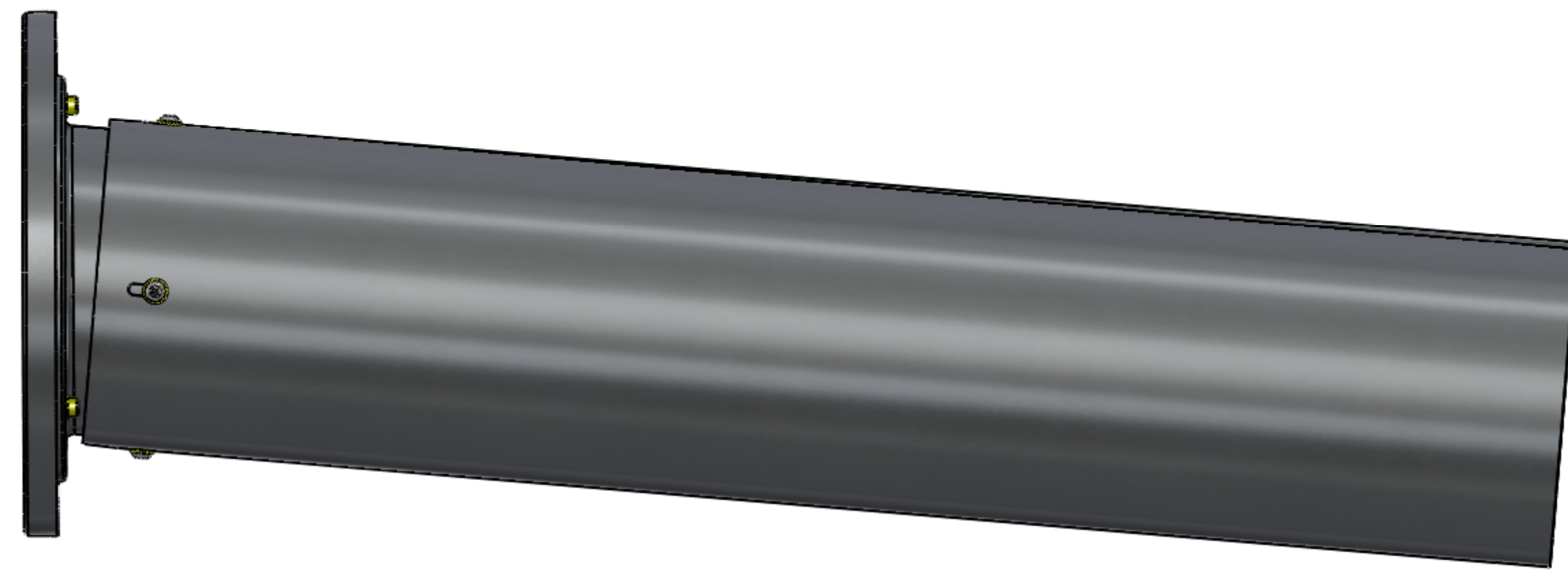
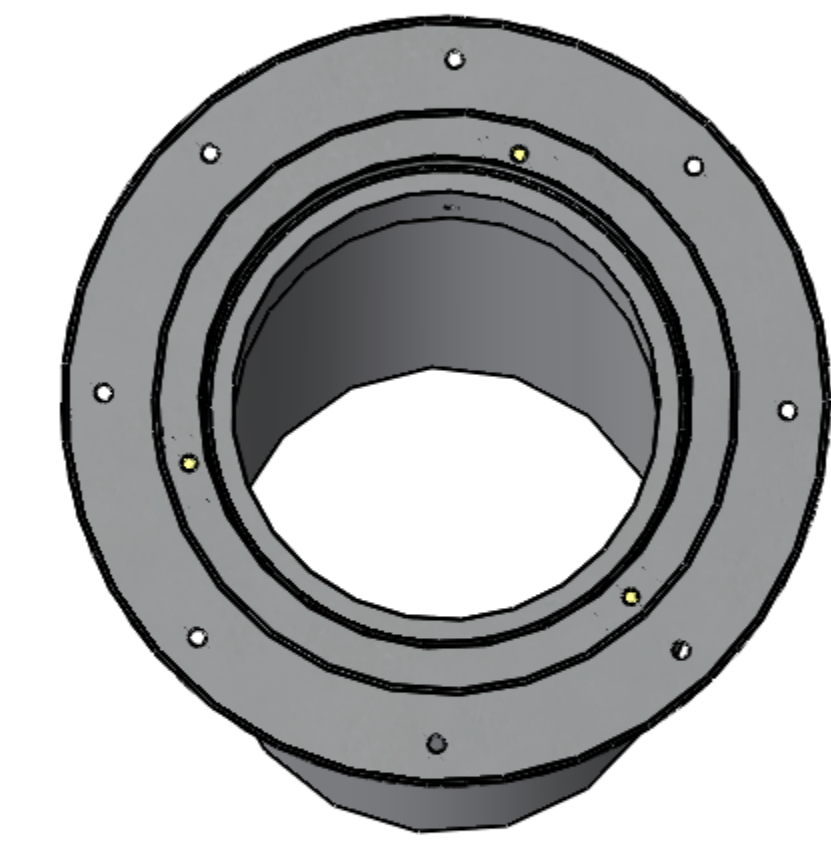
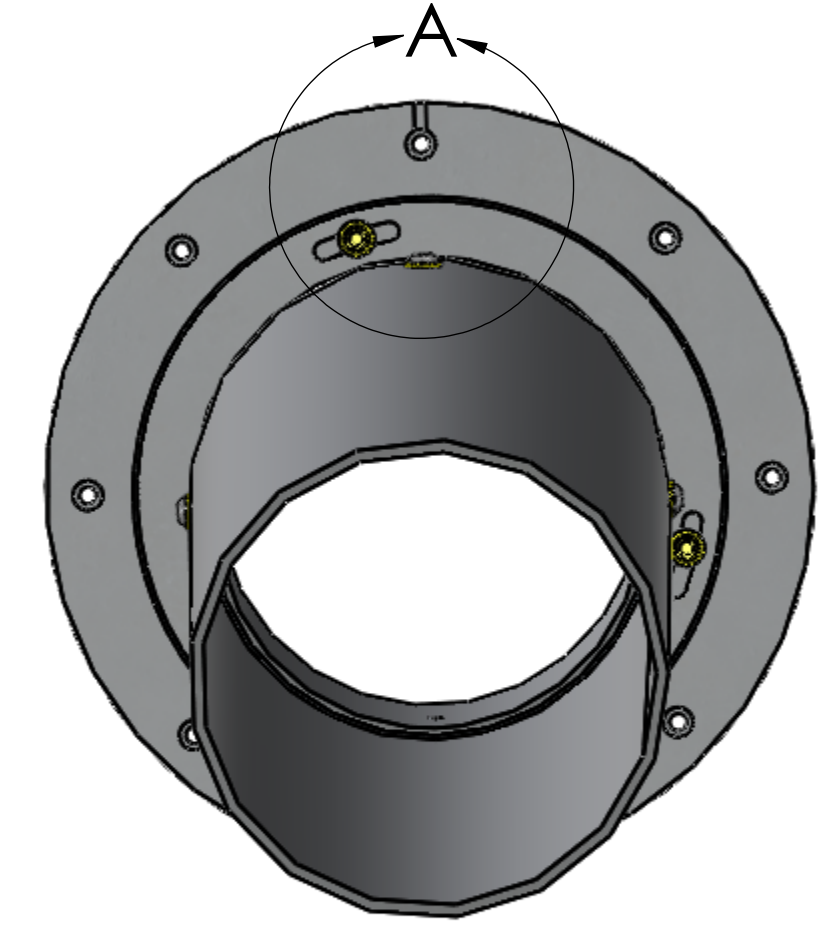
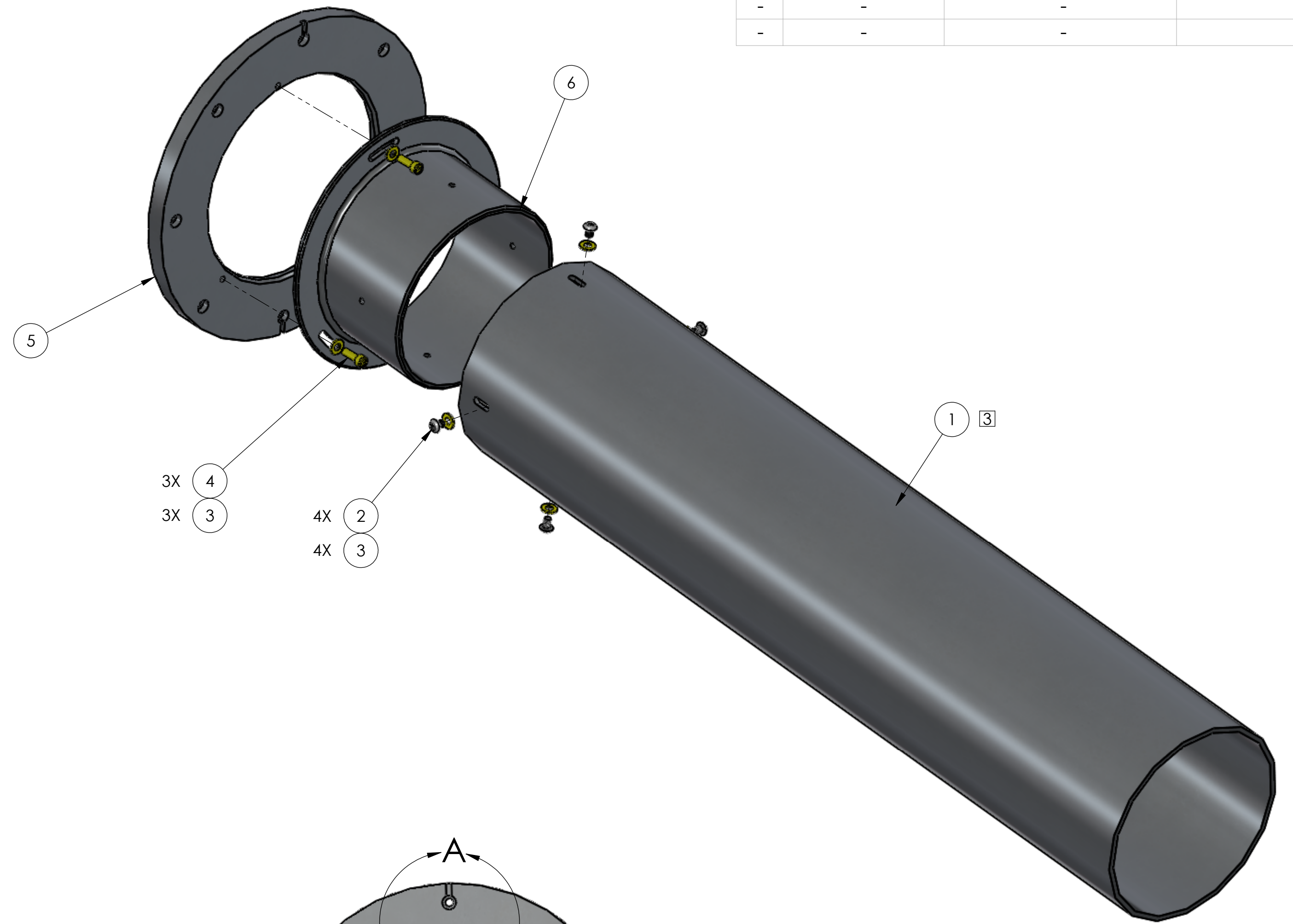


REV.	DATE	DCN #	DRAWING TREE #
v1	23-APR-2012	E1300169-x0	E1300170-v1
-	-	-	-
-	-	-	-



DETAIL A
SCALE 1 : 1



ITEM NO.	PART NUMBER	DESCRIPTION	MATERIAL	REQ	SPARE	TOTAL	
6	D1300067	HWSY BEAM ENCLOSURE ADAPTER TUBE	6061 Alloy	1	0	1	
5	D1300066	HWSY BEAM ENCLOSURE ADAPTER FLANGE	6061 Alloy	1	0	1	
4	C-808-N	SCREW, SOCKET HEAD CAP, #8-32 UNC-2A X 0.5 LONG, FULLY THREADED	300 SSSL	3	1	4	
3	WF-08	WASHER, FLAT, #8 (NAS 1149-C8 OR EQUIVALENT)	300 SSSL	7	3	10	
2	BU-804-N	SBHS #8-32 UNC 3 X 1/4 LG.UC-COMPONENETS	18-8 SS	4	1	5	
3	1	D1200466-02	αLIGO TCS HWS TUBE V-PORT TO ENCL	6061-T6 (SS)	1	0	1

NOTES AND TOLERANCES: (UNLESS OTHERWISE SPECIFIED)

DIMENSIONS ARE IN INCHES

TOLERANCES:
.XX ±
.XXX ±

ANGULAR ± °

1. INTERPRET DRAWING PER ASME Y14.5-1994
2. #8-32 TORQUE TO 20 IN-LB, MAX
3. ITEM 1 MAY BE COMMERCIAL 6"OD FLEXIBLE ALUMINUM DUCT

MATERIAL: N/A FINISH: N/A μinch

NEXT ASSY: D1102397

LIGO CALIFORNIA INSTITUTE OF TECHNOLOGY
MASSACHUSETTS INSTITUTE OF TECHNOLOGY

SYSTEM: ADVANCED LIGO SUB-SYSTEM: AOS

PART NAME: αLIGO TCS HWS-Y BEAM ENCLOSURE ASSEMBLY

DESIGNER: A.COLE 23/4/12 SIZE: D DWG. NO. D1200504 REV. v1

DRAFTER: A.COLE 12-APR-13

CHECKER: M.JACOBSON 26-MAR-13

APPROVAL: A.BROOKS

SCALE: 1:2 PROJECTION: SHEET 1 OF 1

D1200504 αLIGO TCS HWS-Y BEAM ENCLOSURE ASSEMBLY PART PDM REV: X-067 DRAWING PDM REV: X-012