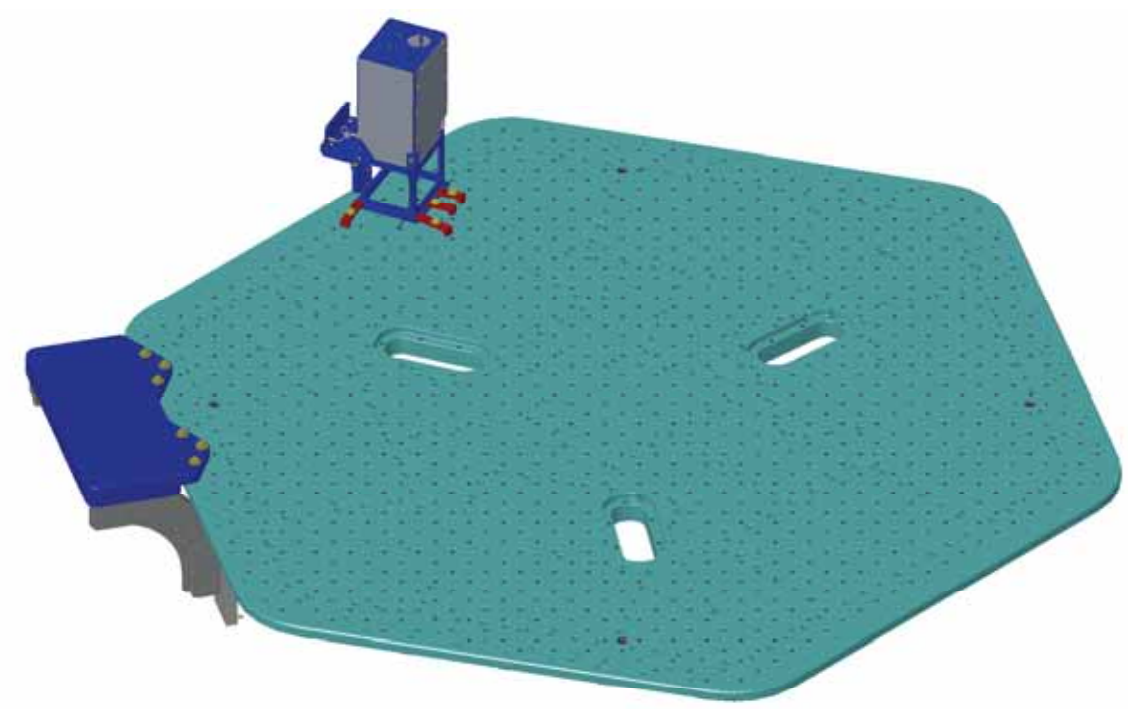
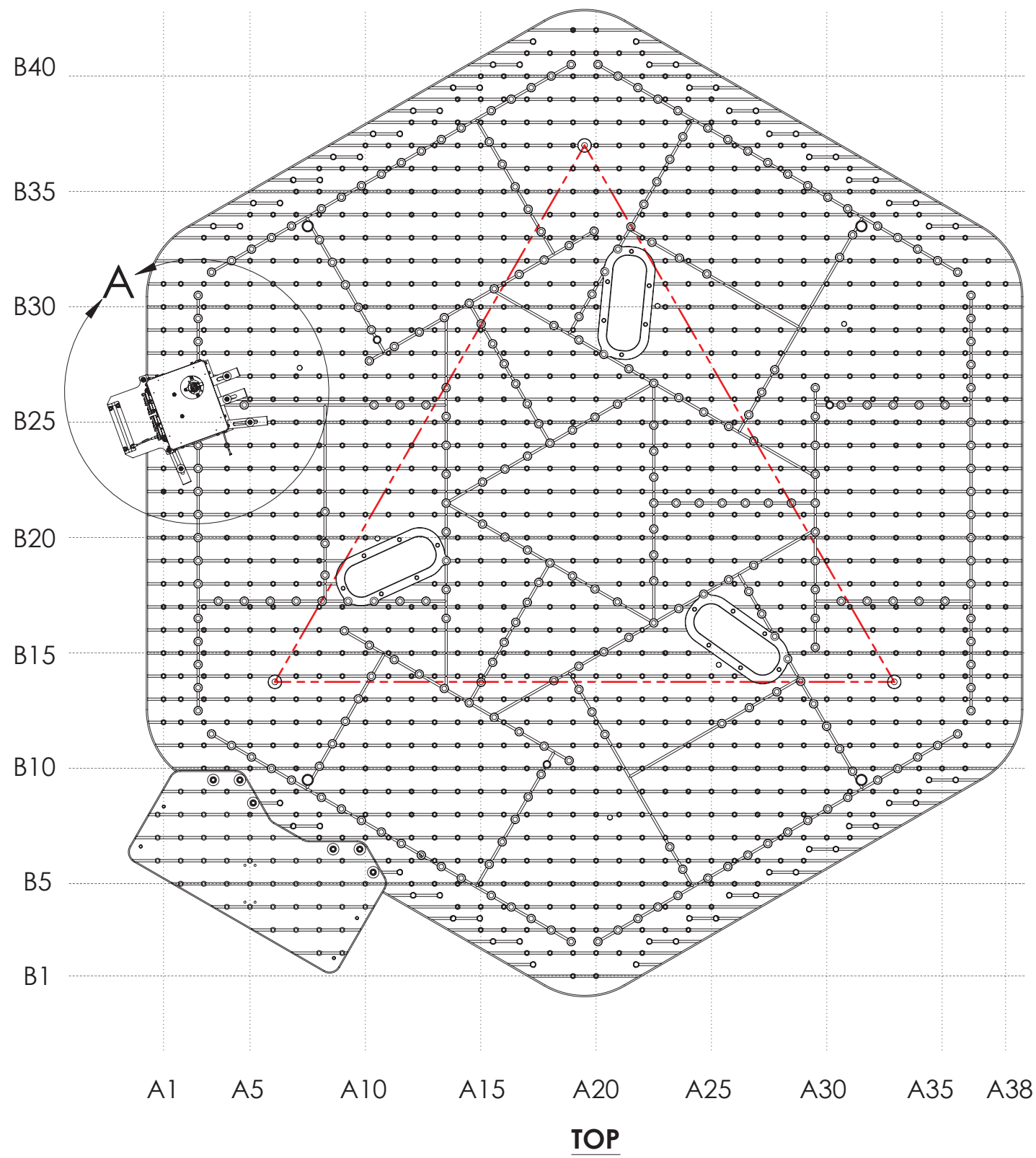


D1200697 AdvLIGO IO HAM2-H1, XYZ Local CS for IO PSL PD Assembly, PART PDM REV: X-015, DRAWING PDM REV: X-010

REV.	DATE	DCN #	DRAWING TREE #
v1	31 MAY 2012	-	-
v5	14 JUL 2014	E1400266-x0	-
-	-	-	-



ISO VIEW

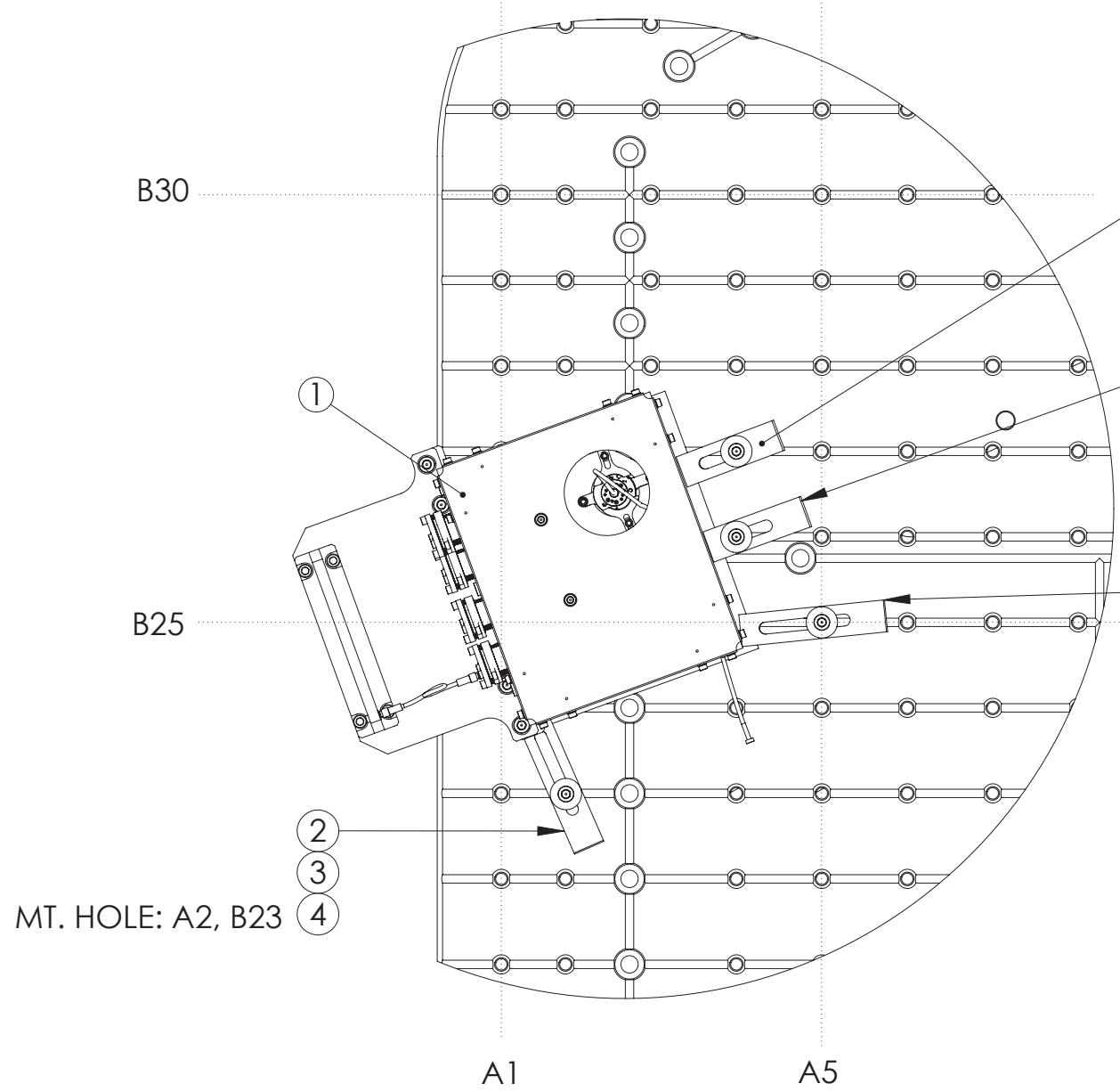
ITEM NO.	PART NUMBER	DESCRIPTION	QTY.
7	D1100640-01	AdvLIGO HAM Optics Table Dog Clamp SOS Suspension .375S	2
6	97345A567 McMASTER-CARR	SCREW, 1/4-20 X 7/16 LG., X 5/16 SHANK	2
5	D1300901	D1300901 ALIGO, HAM2 H1/L1 IO PD ASSY., INSTALLATION PLATE	1
4	78062 HOLO-KROME	SCREW, SHC, 1/4-20 X 1.00 LG.	4
3	MS15795-811 OR EQ.	WASHER, FLAT, 1/4	4
2	D1100640-03	AdvLIGO HAM Optics Table Dog Clamp SOS Suspension .375L	2
1	D1101059 (LHO)	ALIGO, IO, PSL ISS PD ASSEMBLY.	1

2. REFER TO DOCUMENT D1101296 FOR OPTICAL TABLE HOLE TABULATION CONVENTION.
 1. REFER TO G1000125 FOR ISI NAMING AND ORIENTATION CONVENTION.
 NOTES: UNLESS OTHERWISE SPECIFIED.

NOTES AND TOLERANCES: (UNLESS OTHERWISE SPECIFIED)

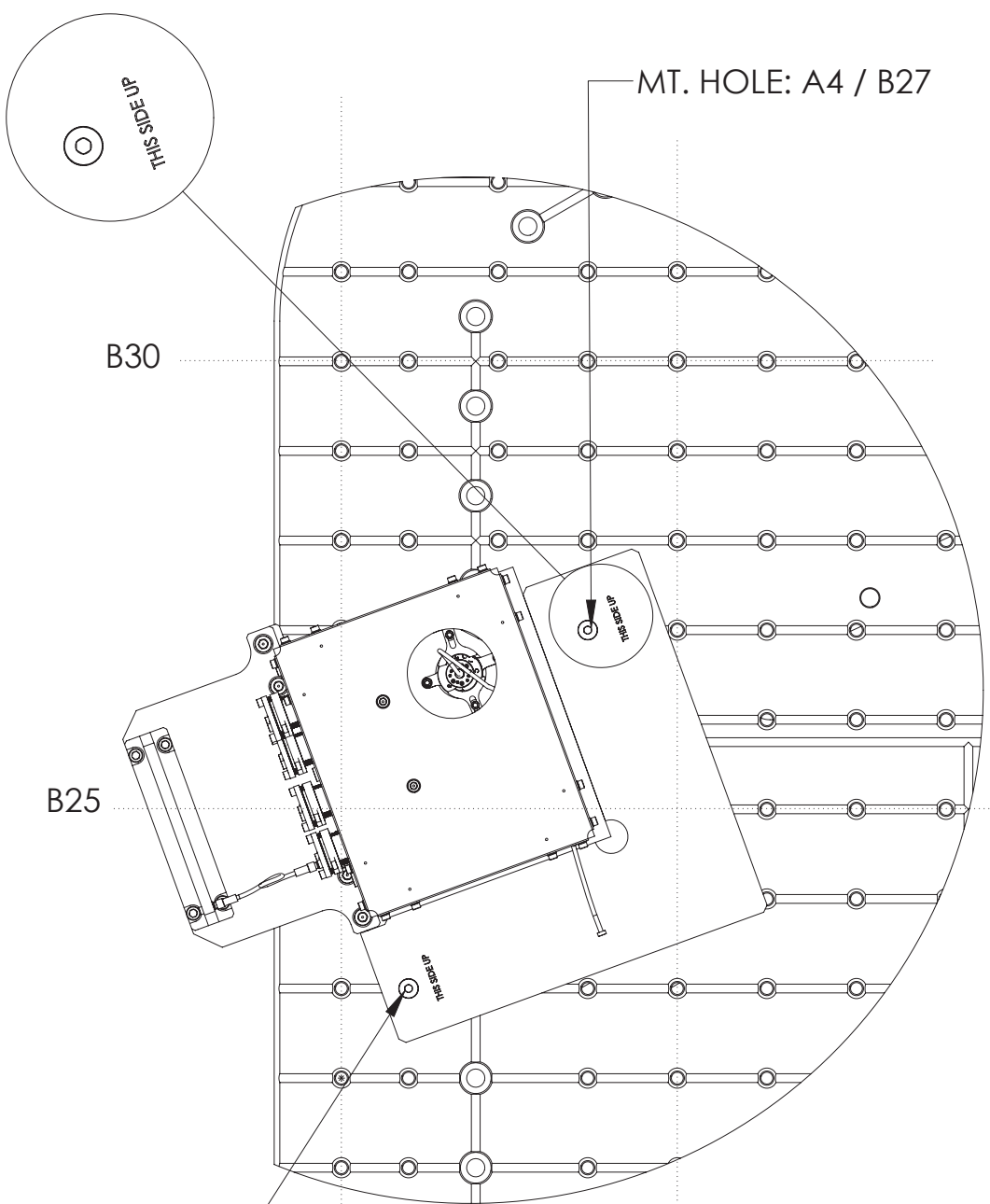
MATERIAL	N/A	FINISH	N/A μinch	SYSTEM	ADVANCED LIGO	SUB-SYSTEM	I/O	DESIGNER	E.SANCHEZ	DATE	31 MAY 2012	SIZE	DWG. NO.	REV.
				NEXT ASSY	D0901083			CHECKER	SEE DCC	SEE DCC		B	D1200697	v5
								APPROVAL	SEE DCC	SEE DCC		SCALE: 1:12	PROJECTION:	SHEET 1 OF 2

D1200697 AdvLIGO IO HAM2-H1, XYZ Local CS for IO PSL PD Assembly, PART PDM REV: X-015, DRAWING PDM REV: X-010



DETAIL A

DETAIL AA
SCALE 1 : 2



INSTALLATION PLATE DETAIL

ITEM NO.	PART NUMBER	DESCRIPTION	QTY.
7	D1100640-01	AdvLIGO HAM Optics Table Dog Clamp SOS Suspension .375S	2
6	97345A567 McMASTER-CARR	SCREW, 1/4-20 X 7/16 LG., X 5/16 SHANK	2
5	D1300901	D1300901 ALIGO, HAM2 H1/L1 IO PD ASSY., INSTALLATION PLATE	1
4	78062 HOLO-KROME	SCREW, SHC, 1/4-20 X 1.00 LG.	4
3	MS15795-811 OR EQ.	WASHER, FLAT, 1/4	4
2	D1100640-03	AdvLIGO HAM Optics Table Dog Clamp SOS Suspension .375L	2
1	D1101059 (LHO)	aLIGO, IO, PSL ISS PD ASSEMBLY.	1

CALIFORNIA INSTITUTE OF TECHNOLOGY
 MASSACHUSETTS INSTITUTE OF TECHNOLOGY
 SIZE DWG. NO. **B** D1200697 REV. v5
 SCALE: 1:4 PROJECTION: SHEET 2 OF 2